



DIGITAL PIANO
PIANO NUMÉRIQUE
PIANO DIGITAL

ARIUS

YDP-105

English

Français

Español

Owner's Manual Mode d'emploi Manual de instrucciones

Before using the instrument, be sure to read "PRECAUTIONS" on pages 4-5.
For information on assembling the instrument, refer to the instructions at the end of this manual.

Avant d'utiliser l'instrument, lisez attentivement la section « PRÉCAUTIONS D'USAGE » aux pages 4 et 5.

Pour plus d'informations sur l'assemblage de l'instrument, reportez-vous aux instructions figurant à la fin de ce manuel.

Antes de utilizar el instrumento, lea las "PRECAUCIONES", en las páginas 4-5.
Para obtener más información sobre el montaje del instrumento, consulte las instrucciones que encontrará al final de este manual.

EN
FR
ES

FCC INFORMATION (U.S.A.)

1. IMPORTANT NOTICE: DO NOT MODIFY THIS UNIT!

This product, when installed as indicated in the instructions contained in this manual, meets FCC requirements. Modifications not expressly approved by Yamaha may void your authority, granted by the FCC, to use the product.

2. IMPORTANT:

When connecting this product to accessories and/or another product use only high quality shielded cables. Cable/s supplied with this product MUST be used. Follow all installation instructions. Failure to follow instructions could void your FCC authorization to use this product in the USA.

3. NOTE:

This product has been tested and found to comply with the requirements listed in FCC Regulations, Part 15 for Class "B" digital devices. Compliance with these requirements provides a reasonable level of assurance that your use of this product in a residential environment will not result in harmful interference with other electronic devices. This equipment generates/uses radio frequencies and, if not installed and used according to the instructions found in the users manual, may cause interference harmful to the operation of other electronic devices. Com-

pliance with FCC regulations does not guarantee that interference will not occur in all installations. If this product is found to be the source of interference, which can be determined by turning the unit "OFF" and "ON", please try to eliminate the problem by using one of the following measures:

- Relocate either this product or the device that is being affected by the interference.
- Utilize power outlets that are on different branch (circuit breaker or fuse) circuits or install AC line filter/s.
- In the case of radio or TV interference, relocate/reorient the antenna. If the antenna lead-in is 300 ohm ribbon lead, change the lead-in to co-axial type cable.

If these corrective measures do not produce satisfactory results, please contact the local retailer authorized to distribute this type of product. If you cannot locate the appropriate retailer, please contact Yamaha Corporation of America, 6600 Orangethorpe Ave., Buena Park, CA90620, USA.

The above statements apply ONLY to those products distributed by Yamaha Corporation of America or its subsidiaries.

(529-M04 FCC class B YCA 01)

COMPLIANCE INFORMATION STATEMENT (Supplier's declaration of conformity procedure)

Responsible Party: Yamaha Corporation of America
Address: 6600 Orangethorpe Ave. Buena Park, Calif. 90620
Telephone: 714-522-9011
Type of Equipment: Digital Piano
Model Name: YDP-105

This device complies with Part 15 of the FCC Rules.

Operation is subject to the following two conditions:

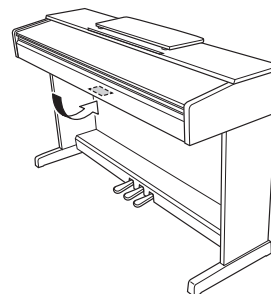
- 1) this device may not cause harmful interference, and
- 2) this device must accept any interference received including interference that may cause undesired operation.

(529-M02 FCC sdoc YCA 01)

The model number, serial number, power requirements, etc., may be found on or near the name plate, which is at the bottom of the unit. You should note this serial number in the space provided below and retain this manual as a permanent record of your purchase to aid identification in the event of theft.

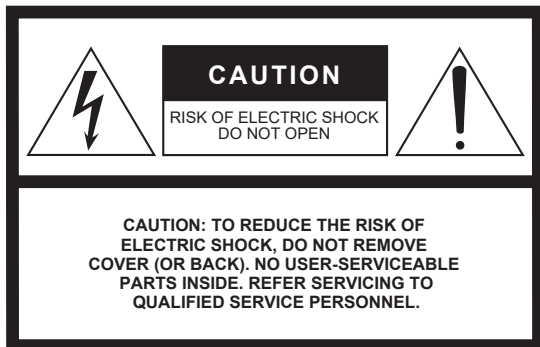
Model No.

Serial No.



(1003-M06 plate bottom en 01) The name plate is located on the bottom of the unit.

For AC adaptor



Explanation of Graphical Symbols



The lightning flash with arrowhead symbol within an equilateral triangle is intended to alert the user to the presence of uninsulated “dangerous voltage” within the product’s enclosure that may be of sufficient magnitude to constitute a risk of electric shock to persons.



The exclamation point within an equilateral triangle is intended to alert the user to the presence of important operating and maintenance (servicing) instructions in the literature accompanying the product.

IMPORTANT SAFETY INSTRUCTIONS

- 1 Read these instructions.
- 2 Keep these instructions.
- 3 Heed all warnings.
- 4 Follow all instructions.
- 5 Do not use this apparatus near water.
- 6 Clean only with dry cloth.
- 7 Do not block any ventilation openings. Install in accordance with the manufacturer’s instructions.
- 8 Do not install near any heat sources such as radiators, heat registers, stoves, or other apparatus (including amplifiers) that produce heat.
- 9 Do not defeat the safety purpose of the polarized or grounding-type plug. A polarized plug has two blades with one wider than the other. A grounding type plug has two blades and a third grounding prong. The wide blade or the third prong are provided for your safety. If the provided plug does not fit into your outlet, consult an electrician for replacement of the obsolete outlet.
- 10 Protect the power cord from being walked on or pinched particularly at plugs, convenience receptacles, and the point where they exit from the apparatus.
- 11 Only use attachments/accessories specified by the manufacturer.
- 12 Use only with the cart, stand, tripod, bracket, or table specified by the manufacturer, or sold with the apparatus. When a cart is used, use caution when moving the cart/apparatus combination to avoid injury from tip-over.
- 13 Unplug this apparatus during lightning storms or when unused for long periods of time.
- 14 Refer all servicing to qualified service personnel. Servicing is required when the apparatus has been damaged in any way, such as power-supply cord or plug is damaged, liquid has been spilled or objects have fallen into the apparatus, the apparatus has been exposed to rain or moisture, does not operate normally, or has been dropped.



WARNING

TO REDUCE THE RISK OF FIRE OR ELECTRIC SHOCK, DO NOT EXPOSE THIS APPARATUS TO RAIN OR MOISTURE.

PRECAUTIONS

PLEASE READ CAREFULLY BEFORE PROCEEDING

Especially in the case of children, a guardian should provide guidance on how to properly use and handle the product before actual use.

Please keep this manual in a safe and handy place for future reference.



WARNING

Always follow the basic precautions listed below to avoid the possibility of serious injury or even death from electrical shock, short-circuiting, damages, fire or other hazards. These precautions include, but are not limited to, the following:

Power supply

- Do not place the power cord near heat sources such as heaters or radiators. Also, do not excessively bend or otherwise damage the cord, or place heavy objects on it.
- Do not touch the product or the power plug during an electrical storm.
- Only use the correct voltage specified for the product. The required voltage is printed on the name plate of the product.
- Use the specified AC adaptor (page 20).
- Check the power plug periodically and remove any dirt or dust which may have accumulated on it.
- Insert the power plug firmly all the way into the AC outlet. Using the product when it is not plugged in sufficiently can cause dust to accumulate on the plug, possibly resulting in fire or skin burns.
- When setting up the product, make sure that the AC outlet you are using is easily accessible. If some trouble or malfunction occurs, immediately turn off the power switch and disconnect the plug from the outlet. Even when the power switch is turned off, as long as the power cord is not unplugged from the wall AC outlet, the product will not be disconnected from the power source.
- Do not connect the product to an electrical outlet using a multi-plug outlet extender. Doing so can result in lower sound quality, or possibly cause overheating in the outlet.
- When disconnecting the power plug, always hold the plug itself and not the cord. Pulling by the cord can damage it and cause electric shocks or a fire.
- If not using the product for long periods of time, be sure to pull the power plug from the AC outlet.

Do not disassemble

- This product contains no user-serviceable parts. Do not attempt to disassemble the internal parts or modify them in any way.

Water warning

- Do not expose the product to rain, use it near water or in damp or wet conditions, or place on it any containers (such as vases, bottles or glasses) containing liquids which might spill into any openings or places where water may drop. A liquid such as water getting into the product may cause a fire, electric shocks, or malfunctions.
- Use the AC adaptor indoors only. Do not use in any wet environments.
- Never insert or remove a power plug with wet hands.

Fire warning

- Do not place any burning items or open flames near the product, since they may cause a fire.

Using the bench (if included)

- Do not place the bench in an unstable position where it might accidentally fall over.
- Do not play carelessly with or stand on the bench. Using it as a tool or stepladder or for any other purpose might result in accident or injury.
- Only one person should sit on the bench at a time, in order to prevent the possibility of accident or injury.
- If the bench screws become loose due to extensive long-term use, tighten them periodically using the specified tool in order to prevent the possibility of accident or injury.
- Keep special watch over any small children so that they don't fall off the rear of the bench. Since the bench does not have a backrest, unsupervised use may result in accident or injury.

If you notice any abnormality

- If any of the following problems occur, immediately turn off the power switch and disconnect the power plug from the outlet. Finally have the device inspected by Yamaha service personnel.
 - The power cord or plug becomes frayed or damaged.
 - Unusual smells or smoke are emitted.



CAUTION

Always follow the basic precautions listed below to avoid the possibility of physical injury to you or others, or damage to the product or other property. These precautions include, but are not limited to, the following:

Assembly

- Assemble the product in the proper sequence by following the assembly instructions in this manual. Also, make sure to tighten the screws or bolts regularly. Failure to do so might result in damage to the product or even injury.

Location

- Do not place the product in an unstable position or a location with excessive vibration, where it might accidentally fall over and cause injury.
- Do not go near the product during an earthquake. Strong shaking during an earthquake could cause the product to move or tip over, resulting in damage to the product or its parts, and possibly causing injury.
- When transporting or moving the product, always use two or more people. Attempting to lift the product by yourself may result in injuries, such as back injuries, or cause the product to be dropped and broken, which could lead to other injuries.
- Before moving the product, remove all connected cables, to prevent damage to the cables or injury to anyone who might trip over them.

Connections

- Before connecting the product to other electronic components, turn off the power for all components. Before turning the power on or off for all components, set all volume levels to minimum.
- Be sure to set the volumes of all components at their minimum levels and gradually raise the volume controls while playing the product to set the desired listening level.

- Some object, or water has been dropped into the product.
- There is a sudden loss of sound during use of the product.
- Cracks or other visible damage appear on the product.

Handling

- Do not insert your finger or hand in any gaps on the key cover or product. Also take care that the key cover does not pinch your finger.
- Do not insert foreign materials such as metal or paper into any openings or gaps of the product. Failure to observe this may cause a fire, electric shocks, or malfunctions.
- Do not rest your weight on, or place heavy objects on the product, and do not use excessive force on the buttons, switches or connectors.
- Keep small parts out of the reach of infants. Your children may accidentally swallow them.
- Do not use the product or headphones for a long period of time at a high or uncomfortable volume level, since this can cause permanent hearing loss. If you experience any hearing loss or ringing in the ears, consult a physician.
- Remove the power plug from the AC outlet before cleaning the unit. Failure to observe this may cause electric shocks.

Yamaha cannot be held responsible for damage caused by improper use or modifications to the product, or data that is lost or destroyed.

Always turn the power off when the instrument is not in use.

Even when the [⏻] (Standby/On) switch is in standby status (power lamp is off), electricity is still flowing to the instrument at the minimum level.

When you are not using the instrument for a long time, make sure you unplug the power cord from the wall AC outlet.

NOTICE

To avoid the possibility of malfunction/ damage to the product, damage to data, or damage to other property, follow the notices below.

■ Handling

- Do not use the instrument in the vicinity of a TV, radio, stereo equipment, mobile phone, or other electric devices. Otherwise, the instrument, TV, or radio may generate noise.
- When you use the instrument along with an app on your smart device, such as a smartphone or tablet, we recommend that you enable “Airplane Mode” on the device to avoid noise caused by communication.
- Do not expose the instrument to excessive dust or vibrations, or extreme cold or heat (such as in direct sunlight, near a heater, or in a car during the day) to prevent the possibility of disfiguration, damage to the internal components or unstable operation. (Verified operating temperature range: 5° – 40°C, or 41° – 104°F.)
- Do not place vinyl, plastic or rubber objects on the instrument, since this might discolor the instrument.

■ Maintenance

- When cleaning the instrument, use a soft and dry/slightly damp cloth. Do not use paint thinners, solvents, alcohol, cleaning fluids, or chemical-impregnated wiping cloths.
- During extreme changes in temperature or humidity, condensation may occur and water may collect on the surface of the instrument. If water is left, the wooden parts may absorb the water and be damaged. Make sure to wipe any water off immediately with a soft cloth.

Information

■ About copyrights

- The copyright of the “content”^{*1} installed in this product belongs to Yamaha Corporation or its copyright holder. Except as permitted by copyright laws and other relevant laws, such as copying for personal use, it is prohibited to “reproduce or divert”^{*2} without the permission of the copyright holder. When using the content, consult with a copyright expert.
- If you create music or perform with the contents through the original use of the product, and then record and distribute them, the permission of Yamaha Corporation is not required regardless of whether the distribution method is paid or free of charge.
 - *1: The word “content” includes a computer program, audio data, Accompaniment Style data, MIDI data, waveform data, voice recording data, music score, and score data, etc.
 - *2: The phrase “reproduce or divert” includes taking out the content itself in this product, or recording and distributing it without changes in a similar manner.

■ About functions/data bundled with the instrument

- Some of the preset songs have been edited for length or arrangement, and may not be exactly the same as the original.

■ About this manual

- The illustrations as shown in this manual are for instructional purposes only.
- “QR Code” is a registered trademark of DENSO WAVE INCORPORATED.
- The company names and product names in this manual are the trademarks or registered trademarks of their respective companies.

■ Tuning

- Unlike an acoustic piano, this instrument does not need to be tuned by an expert (although the pitch can be user-adjusted to match other instruments). This is because the pitch of digital instruments is always maintained perfectly.

■ About disposal

- When disposing of this product, please contact the appropriate local authorities.

Table of Contents

PRECAUTIONS	4
About the Manuals	8
Included Accessories	8
Panel Controls and Terminals	9
Setting Up	10
Key Cover	10
Music Rest	10
Turning the Power On	10
Auto Power Off Function	11
Volume Limiter Function	11
Functions	12
Using the Pedals	14
Data List	15
Keyboard Stand Assembly	16
Assembly Precautions	16
Assembly	16
Data Backup and Initializing	19
Troubleshooting	19
Specifications	20

When Moving/Installing the Instrument

When moving the instrument after assembly (page 16), be sure to keep the instrument horizontal and hold with two or more people. Do not subject the instrument to excessive vibration or shock. After re-installation, check the assembly checklist. If you move to another location, you can transport the instrument along with other belongings. The unit can be transported either assembled or disassembled.

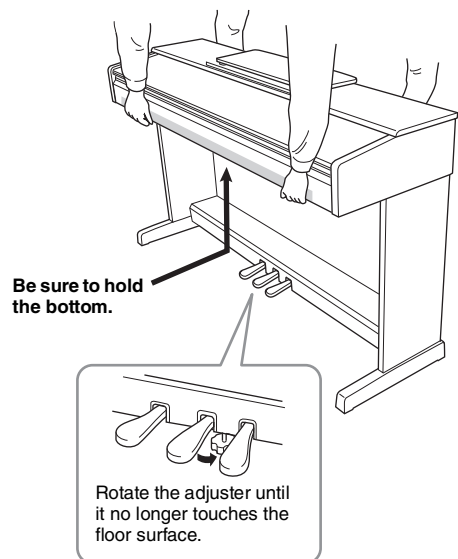
We recommend that you place the instrument away from the wall by about 5 cm to optimize and enhance the overall sound even further.

CAUTION

Always hold the bottom of the main unit. Moving the unit by holding any part other than the bottom may cause damage to the unit or personal injury.

NOTICE

Rotate the adjuster under the pedal until it no longer touches the floor surface before moving the instrument. The adjuster can damage the floor.



Thank you for choosing this Yamaha digital piano.
This instrument provides exceptionally high-quality sound
and expressive control for your playing enjoyment.

In order to make the most of the performance potential and features of the instrument,
please read the manuals thoroughly, and keep them in a handy place for later reference.

About the Manuals

This instrument has the following manuals.

■ Included Manuals

- **Owner's Manual (this book)**
Explains how to use the instrument.

■ Online Manuals

- **Quick Operation Guide**
Shows in chart form the functions assigned to the keyboard for quick understanding. It also contains various lists, such as those of Voices, Songs, etc.



<https://manual.yamaha.com/mi/kb-ekb/ydp-105/>

- **Smart Device Connection Manual**
Explains how to connect the instrument to a smartphone or tablet, etc.
- **Computer-related Operations**
Includes instructions on connecting this instrument to a computer.
- **MIDI Reference**
Contains the MIDI Data Format and MIDI Implementation chart, as well as descriptions on MIDI functions such as MIDI channel and Local Control settings.

To obtain these materials, access the Yamaha Downloads website, then enter the model name for searching the desired files.

Yamaha Downloads

<https://download.yamaha.com/>

Included Accessories

- Owner's Manual (this book) × 1
- Online Member Product Registration × 1
- AC adaptor* × 1
- Bench* × 1

* May not be included depending on your particular area. Please check with your Yamaha dealer.



Smart device application – “Smart Pianist”

With the specially developed “Smart Pianist” app running on your smart device, you can remotely control your digital piano for even more convenience and flexibility. By presenting various parameters on-screen, this app allows you to make settings in a visual, more intuitive manner. For more details on “Smart Pianist,” refer to the following Yamaha web site.



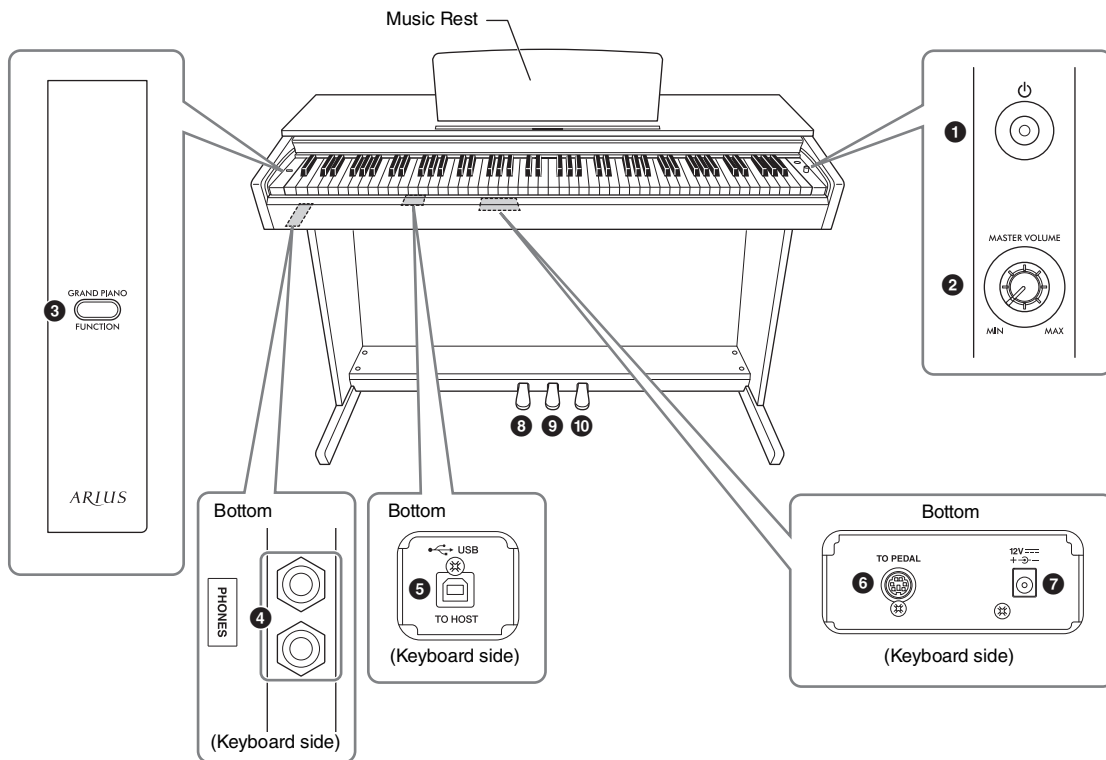
<https://www.yamaha.com/kbdapps/>

For instructions on connecting the instrument to a smart device, Connection Wizard in “Smart Pianist” will guide you according to the operating condition and environment. To start the Connection Wizard, tap “☰” (Menu) located at the upper left of the screen to open the Menu display, and then tap “Instrument” → “Start Connection Wizard.”

NOTE

This instrument does not support wireless connection. Please select “Cable” in the selection of the connection method to the Smart Pianist.

Panel Controls and Terminals



- ❶ [⏻] (Standby/On) switch..... page 10
For turning the power on or setting to standby.
- ❷ [MASTER VOLUME] knob page 10
For adjusting the volume of the entire sound.



⚠ CAUTION

Do not use this instrument at a high volume level for a long period of time, to avoid damaging your hearing.

- ❸ [GRAND PIANO/FUNCTION] button .. page 12
For instantly calling up the Grand Piano 1 Voice.

FUNCTION

You can set various parameters by pressing a note on the keyboard while holding this button.

- ❹ [PHONES] jacks
For connecting a set of standard stereo headphones.

⚠ CAUTION

Do not use headphones at a high volume for an extended period of time; doing so may cause hearing loss.

- ❺ [USB TO HOST] terminal
For connecting to a computer or a smart device. For details on connections, refer to “Computer-related Operations” or “Smart Device Connection Manual” on the website.

NOTICE

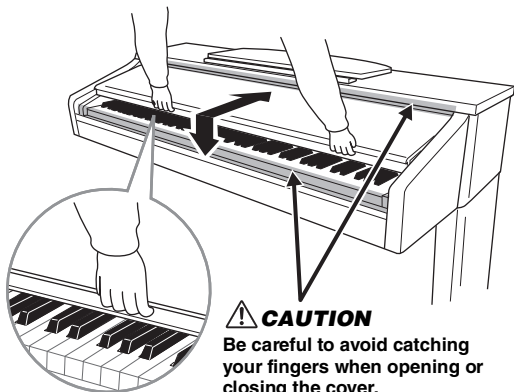
Use an AB type USB cable of less than 3 meters. USB 3.0 cables cannot be used.

- ❻ [TO PEDAL] jack page 18
For connecting the pedal cord.
- ❼ DC IN jack..... page 10
For connecting the AC adaptor.
- ❽ Soft Pedal (Left) page 14
Pressing this pedal reduces the volume and slightly changes the timbre of notes.
- ❾ Sostenuto Pedal (Center) page 14
Pressing this pedal after playing a note or notes (but before releasing your fingers) causes the pressed note(s) to sustain while subsequent notes can be played without sustain.
- ❿ Damper Pedal (Right)..... page 14
Pressing this pedal causes the notes you play to have a longer sustain. It can be used with the half pedal function.

Setting Up

Key Cover

To open the key cover, lift the cover slightly, then push and slide it to the end.
To close the key cover, gently slide the cover toward you.

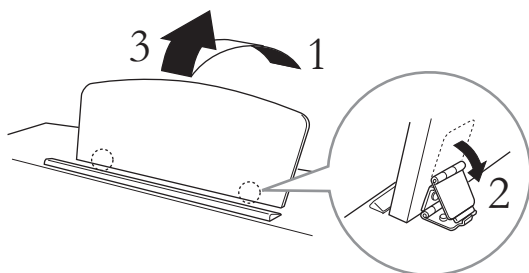


CAUTION

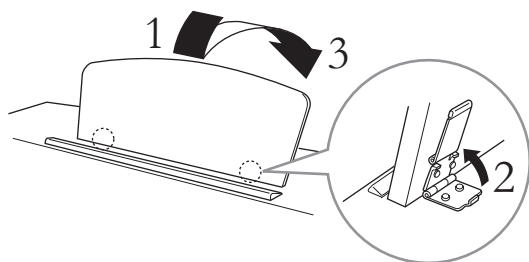
Hold the cover with both hands when opening or closing it. Do not release it until it is fully opened or closed. Be careful to avoid catching fingers (yours or others, especially children's) between the cover and main unit.

Music Rest

To raise the music rest:

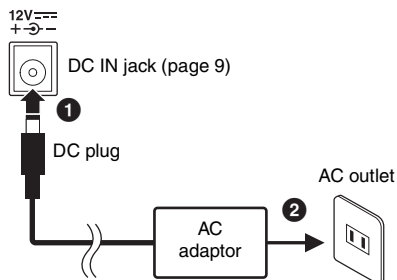


To lower the music rest:



Turning the Power On

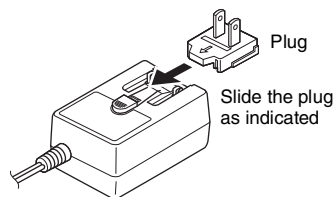
1. Connect the plugs of the AC adaptor in the order shown in the illustration.



Follow the order shown above in reverse when disconnecting the AC adaptor.

WARNING

- Use the specified adaptor (page 20) only. The use of other adaptors may result in irreparable damage to both the adaptor and the instrument.
- When setting up the product, make sure that the AC outlet you are using is easily accessible. If some trouble or malfunction occurs, immediately turn the power off and disconnect the plug from the outlet.
- When using the AC adaptor with a removable plug,
 - Make sure to keep the plug attached to the AC adaptor. Using the plug alone can cause electric shock or fire.
 - If the plug is accidentally removed from the AC adaptor, never touch the metallic section when attaching the plug. To avoid electric shock, short circuit or damage, also be careful that there is no dust between the AC adaptor and plug.

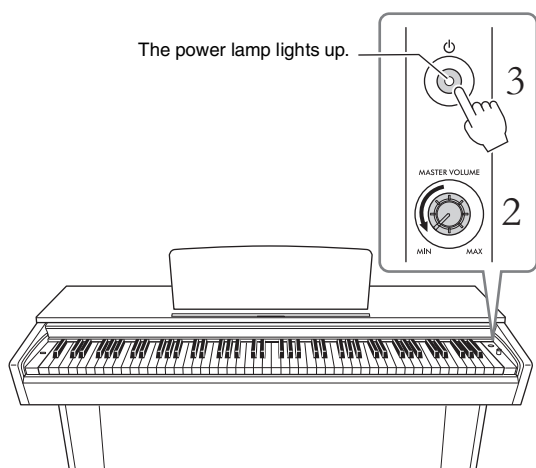


The shape of the plug and outlet differ depending on the locale.

2. Turn down the [MASTER VOLUME] knob to "MIN."

3. Press the [⏻] (Standby/On) switch to turn the power on.

Adjust the volume as desired while playing the keyboard.

**NOTICE**

Press only the [⏻] (Standby/On) switch when turning the power on. Any other operations, such as pressing the keys, buttons or pedals may cause the instrument to malfunction.

4. Press the [⏻] (Standby/On) switch again for 1 second to turn off the power.

The power lamp turns off.

CAUTION

Even when the [⏻] (Standby/On) switch is in the standby status, electricity is still flowing to the instrument at a minimum level. When not using the instrument for an extended period of time, be sure to unplug the power cord from the wall AC outlet.

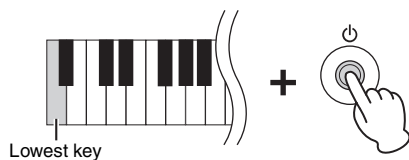
Auto Power Off Function

To prevent unnecessary power consumption, this function automatically turns the power off if the instrument is not operated for 30 minutes.

Default setting: Enabled

Disabling Auto Power Off (simple method)

While holding down the A-1 key (the lowest key), press the [⏻] (Standby/On) switch to turn the instrument on.

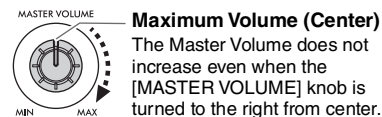


To re-enable the Auto Power Off function, see page 12 (🔍).

Volume Limiter Function

When this function is on, the Master Volume does not increase even when the [MASTER VOLUME] knob is turned to the right from center. This allows you to protect your hearing when using the headphones or prevent loud sound from coming out of the speakers.

To turn on this function, see page 13 (🔍).

**Maximum Volume (Center)**

The Master Volume does not increase even when the [MASTER VOLUME] knob is turned to the right from center.



Smart Device App “Smart Pianist”

You can get even more enjoyment out of this instrument—with additional functions and highly intuitive controls—by connecting to the “Smart Pianist” smart device app. For details, see the website below.
<https://www.yamaha.com/kbdapps>

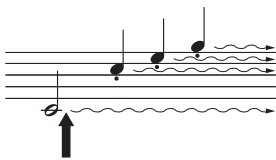
	C#3	D#3	F#3	G#3	A#3	C#4	D#4	F#4	G#4	A#4	C#5	D#5	F#5	G#5	A#5	C#6	D#6	F#6	G#6	A#6								
Hall1	Hall2	Room	Stage	Off	Reverb Depth -	Reverb Depth +	Reverb Depth Default	Damper Resonance On/Off	0 (Default)	Transpose -	Transpose +	Metronome On/Off	Number key 1	Number key 2	Number key 3	Number key 4	Number key 5	Number key 6	Number key 7	Number key 8	Number key 9	Default Tempo						
Metronome Beat -	Metronome Beat +	Metronome Volume -	Metronome Volume +	Volume Balance -	Volume Balance +	-1 (Voice 2)	+1 (Voice 2)	-1 (Voice 1)	+1 (Voice 1)	Audio Loop Back On/Off	Lower by approx. 0.2 Hz	Raise by approx. 0.2 Hz	MIDI Transmit Channel -	MIDI Transmit Channel +	Operation Confirmation Sounds On/Off													
8	9	10	11	12	13	14	15	16	17	18	19	20	21	22														
C3	D3	E3	F3	G3	A3	B3	C4	D4	E4	F4	G4	A4	B4	C5	D5	E5	F5	G5	A5	B5	C6	D6	E6	F6	G6	A6	B6	C7

Function	Description	Default Setting
13 Tempo	Changes the tempo of Song playback or the Metronome. The number key is used to specify the tempo numerically. To specify “95,” press the A#4 (0), A4 (9) and F4 (5) keys in order while holding down [FUNCTION]. Setting range: 32 – 280	120 (Metronome)
14 Metronome Beat	Selects a Metronome Beat from 0 and 2 – 6. Setting range: 0 (no beat), 2, 3, 4, 5, 6	0 (no beat)
15 Metronome Volume	Adjusts the Metronome Volume. Setting range: 1 – 20	10
16 Volume Balance (Dual)	Adjusts the Balance between two Voices in Dual (3). The Voice assigned to the left key becomes Voice 1, and the Voice assigned to the right key becomes Voice 2. Settings above “0” increase the volume of Voice 1, and vice versa. Setting range: -6 – +6	Depending on the combination of Voices
17 Octave Shift	Shifts the octave for each Voice in Dual (3) or Duo (7). In Duo, the right-hand range is Voice 1, while the left-hand range is Voice 2. In Dual, the Voice assigned to the left key becomes Voice 1. Setting range: -1 – +1	0
18 Volume Limiter On/Off	Turns the Volume Limiter Function on/off. → See page 11.	Off
19 Audio Loop Back On/Off	Sets whether the audio sound input from the [USB TO HOST] terminal is returned to the computer/smart device or not, along with the performance played on the instrument.	On
20 Tuning	Fine tunes the pitch of the entire instrument in approx. 0.2 Hz steps. Setting range: 414.8 – 440.0 – 466.8 Hz	440.0 Hz
21 MIDI Transmit Channels	Sets the MIDI Transmit Channels. For details, refer to “MIDI Reference”. Setting range: 1 – 16	1
22 Operation Confirmation Sounds	Turns on/off the Operation Confirmation Sounds, which occur when you change a setting using the keys of the keyboard.	On

Using the Pedals

Damper Pedal (Right)

Pressing this pedal will sustain notes longer. Releasing this pedal immediately stops (damps) any sustained notes. This pedal also features a “half-pedal” function that creates partial sustain effects, depending on how far down you press the pedal.



When you press the damper pedal here, this note and the notes you play before you release the pedal sustain longer.

NOTE

If the damper pedal doesn't work, make sure that the pedal cord is properly plugged into the main unit (page 18).

Half-pedal function

This function allows you to vary the sustain length depending on how far the pedal is pressed. The farther down you press the pedal, the more the sound sustains. For example, if you press the damper pedal and all notes you are playing sound a bit murky and loud with too much sustain, you can release the pedal half way or higher to decrease the sustain (murkiness).

Damper Resonance

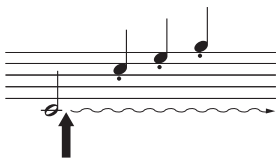
When only piano Voices (page 15) is selected, pressing the damper pedal activates the Damper Resonance effect (page 12) to recreate the resonance of an acoustic piano's strings.

NOTE

Damper Resonance cannot be used in Duo.

Sostenuto Pedal (Center)

Pressing this pedal while holding the notes will sustain the pressed notes (as if the Damper Pedal had been pressed), but all subsequently played notes will not be sustained. This makes it possible to sustain a chord or single low note, for example, while the other notes are played “staccato.”



When you press the sostenuto pedal here while holding the note, the note will sustain as long as you hold the pedal.

NOTE

While the sostenuto pedal is held, the organ and strings Voices sound continuously without decay after the notes have been released.

Soft Pedal (Left)

Pressing this pedal will reduce the volume and slightly change the timbre of the notes. The notes played before this pedal is pressed are not affected.

Pedal function in Duo (page 12)

In Duo, the pedal function changes as follows.

- **Right Pedal:** Damper pedal for the right-hand range.
- **Center Pedal:** Damper pedal for both the right-hand and left-hand ranges.
- **Left Pedal:** Damper pedal for the left-hand range.

Data List

Voice List

Key	Voice Name	Description
C0	Grand Piano*	Recorded samples from a full concert grand piano. Perfect for classical compositions as well as any other style that requires acoustic piano.
C#0	Bright Grand*	Bright piano sound. Clear tone helps the sound to “cut through” when playing in an ensemble.
D0	Stage E.Piano	Vintage electric piano sound of hammer-struck metallic “tines.” Soft tone when played lightly, and an aggressive tone when played hard.
D#0	DX E.Piano	An electronic piano sound created by FM synthesis. Good for standard popular music.
E0	Organ Principal	A typical pipe organ sound (8 feet + 4 feet + 2 feet). Good for sacred music from the Baroque period.
F0	Organ Tutti	This is the organ’s full coupler sound, often associated with Bach’s “Toccatà and Fugue.”
F#0	Harpsichord 8'	The definitive instrument for baroque music. Authentic harpsichord sound, with plucked strings, no touch response.
G0	Harpsichord 8'+4'	Mixes the same Voice an octave higher for a more brilliant, dynamic tone.
G#0	Vibraphone	Played with relatively soft mallets.
A0	Strings	Spacious and large-scale string ensemble. Try combining this Voice with piano in Dual.

*Piano Voices.

Reverb Type List

Key	Reverb Type	Description
C3	Hall1	For a bigger reverb sound. This effect simulates the natural reverberation of a small-size concert hall.
C#3	Hall2	For a truly spacious reverb sound. This effect simulates the natural reverberation of a large concert hall.
D3	Room	Simulates the reverb you hear in a room.
D#3	Stage	Simulates the reverb of a stage environment.
E3	Off	No effect is applied.

NOTE

In Dual, the Reverb Type for Voice 1 is called up.

Voice Demo Song List

Key	Voice Name	Title	Composer
C1	Grand Piano	Valse No.2 As dur op.34-1 “Valse Brillante”	F. F. Chopin
C#1	Bright Grand	Original	Original
D1	Stage E.Piano	Original	Original
D#1	DX E.Piano	Original	Original
E1	Organ Principal	Original	Original
F1	Organ Tutti	Original	Original
F#1	Harpsichord 8'	Gavotte	J. S. Bach
G1	Harpsichord 8'+4'	Invention No. 1	J. S. Bach
G#1	Vibraphone	Original	Original
A1	Strings	Original	Original

The Demo Songs excluding original Songs are short rearranged excerpts from the original compositions. The original Demo Songs are Yamaha originals (© Yamaha Corporation).

Preset Song List

Key	No.	Title	Composer
C2	1	Menuett G dur BWV Anh.114	J. S. Bach
C#2	2	Turkish March	W. A. Mozart
D2	3	Für Elise	L. v. Beethoven
D#2	4	Valse op.64-1 “Petit chien”	F. F. Chopin
E2	5	Träumerei	R. Schumann
F2	6	Dolly’s Dreaming and Awakening	T. Oesten
F#2	7	Arabesque	J. F. Burgmüller
G2	8	Humoresque	A. Dvořák
G#2	9	The Entertainer	S. Joplin
A2	10	La Fille aux Cheveux de Lin	C. A. Debussy

Touch Sensitivity

No.	Touch Sensitivity	Description
1	Soft	Produces relatively high volume even with light playing strength.
2	Medium	Standard Touch Sensitivity (default setting).
3	Hard	Requires strong playing to produce high volume.
4	Fixed	The volume level will be the same regardless of how hard you play the keys.

NOTE

This setting is disabled with some Voices, such as an organ sound.

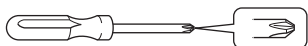
Keyboard Stand Assembly

Assembly Precautions

⚠ CAUTION

- Assemble the instrument using at least two people.
- Assemble the instrument on a hard and flat floor with ample space.
- Be sure to use the correct parts in the correct orientation, and assemble the instrument in accordance with the sequence given here.
- Keep small parts (such as screws) out of the reach of infants. Children may accidentally swallow them.
- Be sure to use only the included screws of specified sizes. Use of any other screws can cause damage or malfunction of the product.
- To disassemble the unit, reverse the assembly sequence given here.

Have a Phillips-head (+) screwdriver of the appropriate size ready.



Post-assembly checklist

- There are no unused parts.
- The instrument is stable even if you shake it.
- The pedal adjuster is firmly pressed against to the floor surface.
- Both the pedal cord and power cord are plugged securely into the correct jacks.

→ If there are any items above you haven't confirmed, review the assembly procedure and correct any errors.

Assembly

You can watch a video of the assembly.



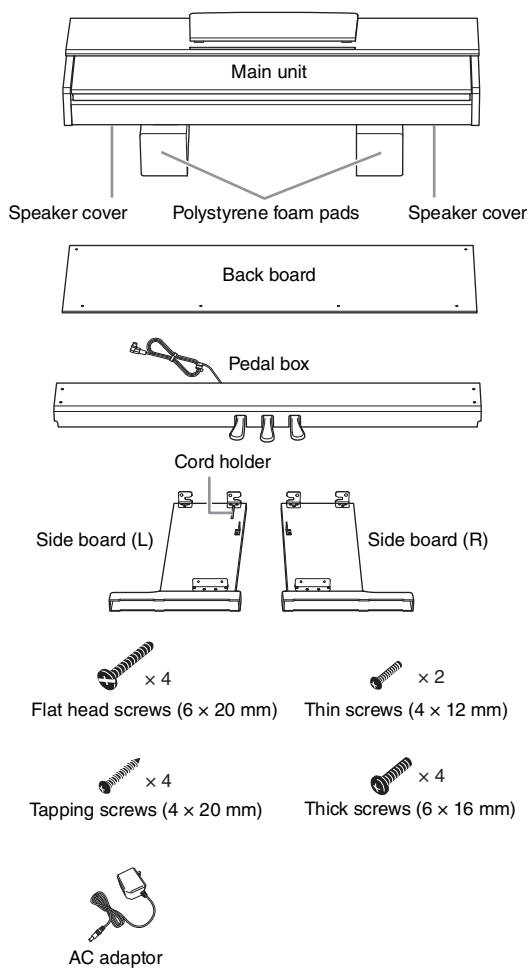
Scan the QR code at left or access the website below.

https://4wrdr.it/ydp_assembly_video3

Check if you have all of the items indicated below.

NOTICE

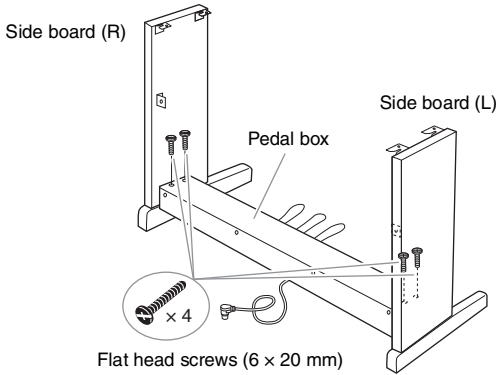
Make sure to place the main unit on the polystyrene foam pads that have been removed from the packages. Position the pads so that they will not contact the speaker covers on the bottom of the main unit.



* The adaptor may not be included, or may look different from the illustration above, depending on your particular area.

1. Align the side boards with each end of pedal box, and lightly tighten with flat head screws (6 × 20 mm) for temporary fastening

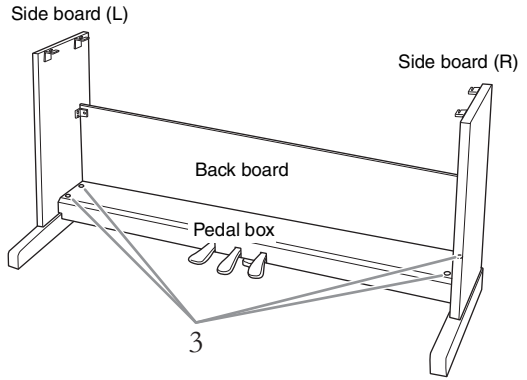
These screws will be tightened securely later in step 3.



2-4 Securely tighten the screws on the top of the back board that were attached in step 2-2.

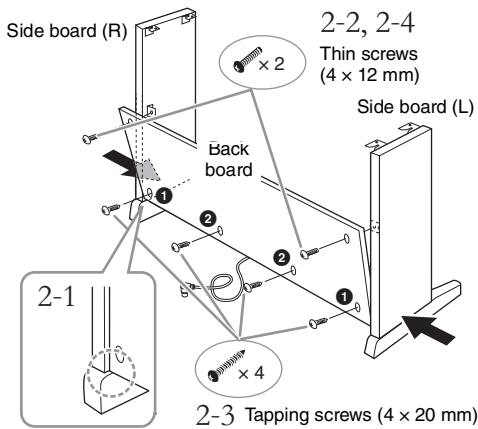
3. Secure the pedal box.

Securely tighten the screws on the pedal box that were attached in step 1.

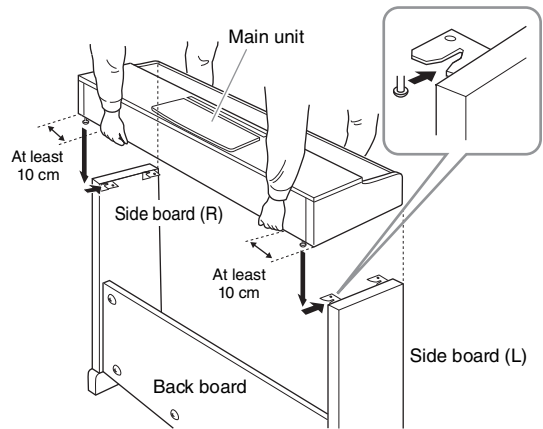


2. Attach the back board.

Depending on the model, the surface color of one side of the back board may be different from the other side. In this case, position the back board so that the side facing the front (pedal side) matches the color of the main unit.



4. Set the main unit in place.



2-1 Place the back board on each foot of side boards.

2-2 Attach the top of the back board by temporarily fastening the thin screws (4 × 12 mm).

2-3 While pushing on the lower part of the side boards from the outside, secure the bottom ends of the back board using tapping screws (4 × 20 mm) in the order from outside to inside (1 → 2).

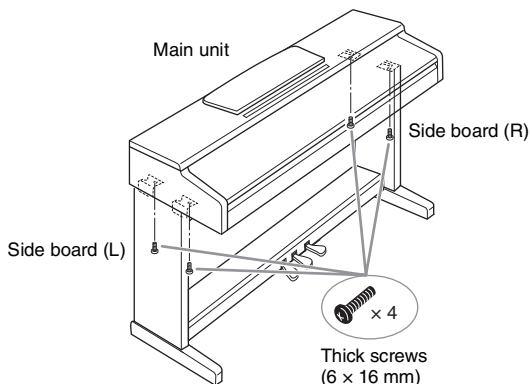
4-1 Be sure to hold the bottom surface at least 10 cm inside from the edge of the main unit so that you do not pinch your hands.

4-2 Place the main unit on the side boards so that the front of the main unit and the side boards are aligned. Slide the main unit forward and insert the metal fittings on the bottom of the main unit into the metal fittings on the side boards.

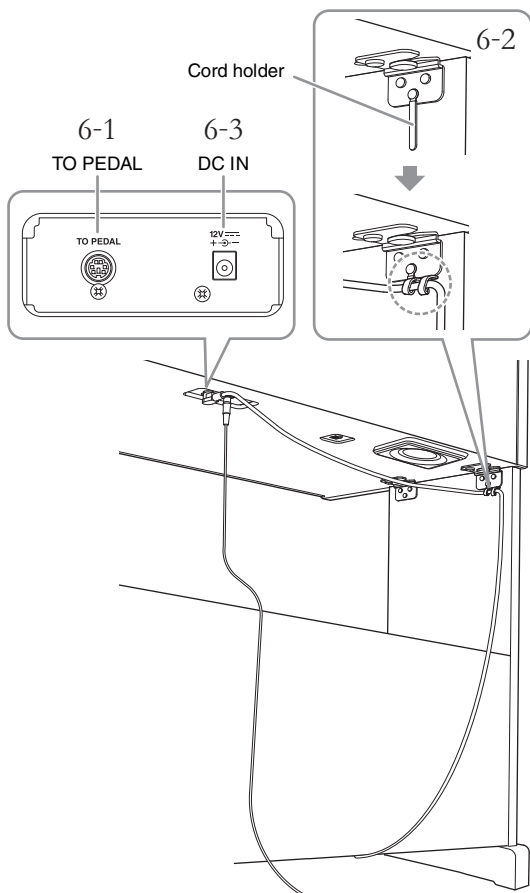
⚠ CAUTION

- Be careful not to pinch your hands or drop the main unit.
- Do not hold anywhere other than the specified position.

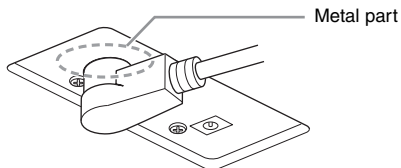
5. Secure the main unit by tightening the thick screws (6 × 16 mm).



6. Connect the pedal cord plug and the power plug.



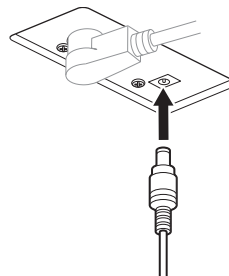
6-1 Insert the pedal cord plug to the [TO PEDAL] jack from the rear.
 Insert the plug until the metal part disappears from view.



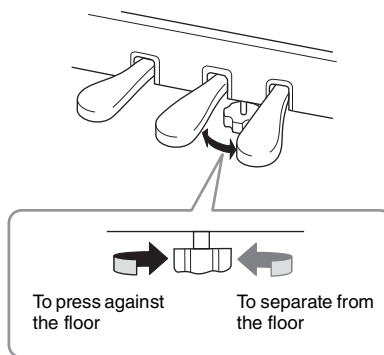
NOTICE
 If it is not plugged in firmly, it may cause the pedals to not work.

6-2 Wind the cord holders around pedal cord to hold it.
 The cord holders are attached to the side board (L).

6-3 Insert the DC plug into the DC IN jack.



7. Rotate the adjuster until it presses in firm contact with the floor surface.
 Make sure that the pedal box does not rattle or give way when you step on the pedals.



After completing the assembly, please check the Post-assembly checklist (page 16).

Data Backup and Initializing

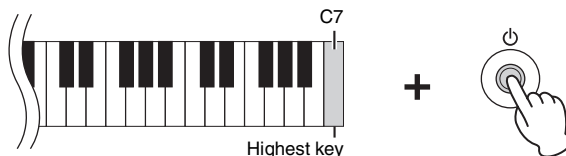
The following data will automatically be maintained as backup data even if you turn off the power.

Backup data

Metronome Volume, Metronome Beat, Touch Sensitivity, Tuning, Auto Power Off, Operation Confirmation Sound on/off, Volume Limiter on/off

To initialize the backup data:

While holding down the C7 key (right-most key), turn the power on to initialize the backup data to the factory initial settings.



NOTICE

Never turn off the power while the initialization is being executed.

NOTE

If this instrument somehow malfunctions or fails to operate properly, try executing the initialization.

Troubleshooting

Problem	Possible Cause and Solution
Power suddenly and unexpectedly turns off.	This is normal and the Auto Power Off function may have been activated (page 12). If desired, disable the Auto Power Off function.
The instrument does not turn on.	The plugs are not properly connected. Make sure that the DC plug is securely inserted into the DC IN jack on the instrument, and that the AC plug is securely inserted to the AC outlet (page 18).
A click or pop is heard when the power is turned on or off.	This is normal when electrical current is being applied to the instrument.
Noise is heard from the speakers or headphones.	The noise may be due to interference caused by the use of a mobile phone in close proximity to this instrument. Turn off the mobile phone, or move it further away from this instrument.
	When you use the instrument along with the application on your smart device, we recommend that you set "Airplane Mode" to "ON" on your smart device in order to avoid noise caused by communication.
The overall volume is low, or no sound is heard.	The Master Volume is set too low. Set it to an appropriate level using the [MASTER VOLUME] knob (page 9).
	Make sure a pair of headphones or conversion adaptor is not connected to the [PHONES] jack (page 9).
	The Volume Limiter setting is "On". Set the Volume Limiter to "Off" (page 11).
Pedals do not function.	The pedal cord may not be securely connected to the [TO PEDAL] jack. Be sure to insert the pedal cord all the way until the metal part of the cord plug disappears from view (page 18).
The damper pedal does not function as expected.	The damper pedal was pressed when the power was turned on. This is not a malfunction; release the pedal and press it again to reset the function.

Specifications

Product Name		Digital Piano	
Size/Weight	Width	1,357 mm (53-7/16")	
	Height (With music rest raised)	815 mm (32-1/16") (969 mm (38-1/8"))	
	Depth	422 mm (16-5/8")	
	Weight	37.5 kg (82 lb, 11 oz)	
Control Interface	Keyboard	Number of Keys	88
		Type	GHS with Matte Black Keytops
		Touch Response	Soft / Medium / Hard / Fixed
	Pedal	Number of Pedals	3
		Half Pedal	Yes (Damper)
		Functions	Damper, Sostenuto, Soft
Panel Language		English	
Cabinet	Key Cover Style	Sliding	
	Music Rest	Yes	
Voices	Tone Generation	Piano Sound	AWM Stereo Sampling
	Piano Effect	Damper Resonance	Yes
	Polyphony	Number of Polyphony (Max.)	64
	Preset	Number of Voices	10
Effects	Types	Reverb	4 types
	Functions	Dual	Yes
		Duo	Yes
Playback	Preset	Number of Preset Songs	10 Voice Demo Songs + 10 Piano Preset Songs
Functions	Overall Controls	Metronome	Yes
		Tempo	32 – 280
		Transpose	-6 – 0 – +6
		Tuning	414.8 – 440.0 – 466.8 Hz (approx. 0.2 Hz increments)
		USB Audio Interface	44.1 kHz, 16 bit, stereo
Connectivity	Connections	DC IN	Yes
		Headphones	Standard stereo phone jack (x 2)
		USB TO HOST	Yes
Sound System	Amplifiers	6 W x 2	
	Speakers	12 cm x 2	
Power Supply	Adaptor	PA-150 or an equivalent recommended by Yamaha (Output: DC 12 V, 1.5 A)	
	Power Consumption	6 W (When using PA-150 AC adaptor)	
	Auto Power Off	Yes	
Included Accessories		<ul style="list-style-type: none"> • Owner's Manual • Bench* • Online Member Product Registration • AC adaptor*: PA-150 or an equivalent *May not be included depending on your area. Check with your Yamaha dealer.	
Separately Sold Accessories (May not be available depending on your locale.)		<ul style="list-style-type: none"> • HPH-150/100/50 headphones • AC adaptor: PA-150 or an equivalent recommended by Yamaha 	

* The contents of this manual apply to the latest specifications as of the publishing date. To obtain the latest manual, access the Yamaha website then download the manual file. Since specifications, equipment or separately sold accessories may not be the same in every locale, please check with your Yamaha dealer.

Information for users on collection and disposal of old equipment:



This symbol on the products, packaging, and/or accompanying documents means that used electrical and electronic products should not be mixed with general household waste.

For proper treatment, recovery and recycling of old products, please take them to applicable collection points, in accordance with your national legislation.

By disposing of these products correctly, you will help to save valuable resources and prevent any potential negative effects on human health and the environment which could otherwise arise from inappropriate waste handling.

For more information about collection and recycling of old products, please contact your local municipality, your waste disposal service or the point of sale where you purchased the items.

For business users in the European Union:

If you wish to discard electrical and electronic equipment, please contact your dealer or supplier for further information.

Information on Disposal in other Countries outside the European Union:

symbol is only valid in the European Union. If you wish to discard these items, please contact your local authorities or dealer and ask for the correct method of disposal.

(58-M02 WEEE en 01)



**Important Notice:
U.S. LIMITED WARRANTY for Customers in the United States**

For detailed information about this Yamaha product and warranty service, please either visit the following website address (printable file is available at our website) or contact Customer Service at the address or telephone number identified below.

Website Address:
yamaha.i.o/YDPWarranty

Customer Service:
Yamaha Corporation of America
6600 Orangethorpe Avenue, Buena Park, CA 90620-1273
Telephone: 800-854-1569

Important Notice: Guarantee Information for customers in European Economic Area (EEA) and Switzerland

<p>Important Notice: Guarantee Information for customers in EEA* and Switzerland</p> <p>For detailed guarantee information about this Yamaha product, and Pan-EEA* and Switzerland warranty service, please either visit the website address below (Printable file is available at our website) or contact the Yamaha representative office for your country. * EEA: European Economic Area</p>	English
<p>Wichtiger Hinweis: Garantie-Information für Kunden in der EWR* und der Schweiz</p> <p>Für nähere Garantie-Information über dieses Produkt von Yamaha, sowie über den Pan-EWR*- und Schweizer Garantieservice, besuchen Sie bitte entweder die folgend angegebene Internetadresse (eine druckfähige Version befindet sich auch auf unserer Webseite), oder wenden Sie sich an den für Ihr Land zuständigen Yamaha-Vertrieb. *EWR: Europäischer Wirtschaftsraum</p>	Deutsch
<p>Remarque importante: informations de garantie pour les clients de l'EEE et la Suisse</p> <p>Pour des informations plus détaillées sur la garantie de ce produit Yamaha et sur le service de garantie applicable dans l'ensemble de l'EEE ainsi qu'en Suisse, consultez notre site Web à l'adresse ci-dessous (le fichier imprimable est disponible sur notre site Web) ou contactez directement Yamaha dans votre pays de résidence. * EEE : Espace Economique Européen</p>	Français
<p>Belangrijke mededeling: Garantie-informatie voor klanten in de EER* en Zwitserland</p> <p>Voor gedetailleerde garantie-informatie over dit Yamaha-product en de garantieservice in heel de EER* en Zwitserland, gaat u naar de onderstaande website (u vindt een afdrukbaar bestand op onze website) of neemt u contact op met de vertegenwoordiging van Yamaha in uw land. * EER: Europese Economische Ruimte</p>	Nederlands
<p>Aviso importante: información sobre la garantía para los clientes del EEE* y Suiza</p> <p>Para una información detallada sobre este producto Yamaha y sobre el soporte de garantía en la zona EEE* y Suiza, visite la dirección web que se incluye más abajo (la versión del archivo para imprimir esta disponible en nuestro sitio web) o póngase en contacto con el representante de Yamaha en su país. * EEE: Espacio Económico Europeo</p>	Español
<p>Avviso importante: informazioni sulla garanzia per i clienti residenti nell'EEA* e in Svizzera</p> <p>Per informazioni dettagliate sulla garanzia relativa a questo prodotto Yamaha e l'assistenza in garanzia nei paesi EEA* e in Svizzera, potete consultare il sito Web all'indirizzo riportato di seguito (è disponibile il file in formato stampabile) oppure contattare l'ufficio di rappresentanza locale della Yamaha. * EEA: Area Economica Europea</p>	Italiano
<p>Aviso importante: informações sobre as garantias para clientes da AEE* e da Suíça</p> <p>Para obter uma informação pormenorizada sobre este produto da Yamaha e sobre o serviço de garantia na AEE* e na Suíça, visite o site a seguir (o arquivo para impressão está disponível no nosso site) ou entre em contato com o escritório de representação da Yamaha no seu país. * AEE: Área Económica Europeia</p>	Português
<p>Σημαντική σημείωση: Πληροφορίες εγγύησης για τους πελάτες στον ΕΟΧ* και Ελλάδα</p> <p>Για λεπτομερείς πληροφορίες εγγύησης σχετικά με το παρόν προϊόν της Yamaha και την κάλυψη εγγύησης σε όλες τις χώρες του ΕΟΧ και την Ελλάδα, επισκεφτείτε την παρακάτω ιστοσελίδα (Εκτυπωσιμη μορφή είναι διαθέσιμη στην ιστοσελίδα μας) ή απευθυνθείτε στην αναπρωσωπεία της Yamaha στη χώρα σας. * ΕΟΧ: Ευρωπαϊκός Οικονομικός Χώρος</p>	Ελληνικό
<p>Viktigt: Garantiinformation för kunder i EES-området* och Schweiz</p> <p>För detaljerad information om denna Yamahaprodukt samt garantiservice i hela EES-området* och Schweiz kan du antingen besöka nedanstående webbadress (en utskriftsvärlig fil finns på webbplatsen) eller kontakta Yamahas officiella representant i ditt land. * EES: Europeiska Ekonomiska Samarbetsområdet</p>	Svenska
<p>Viktig merknad: Garantiinformasjon for kunder i EØS* og Sveits</p> <p>Detaljert garantiinformasjon om dette Yamaha-produktet og garantiservice for hele EØS-området* og Sveits kan fås enten ved å besøke nettstedene nedenfor (utskriftsversjon finnes på våre nettsider) eller kontakte Yamaha-kontoret i landet der du bor. *EØS: Det europeiske økonomiske samarbeidsområdet</p>	Norsk
<p>Vigtigt oplysning: Garantioplysninger til kunder i EØO* og Schweiz</p> <p>De kan finde detaljerede garantioplysninger om dette Yamaha-produkt og den fælles garantiserviceordning for EØO* (og Schweiz) ved at besøge det websted, der er angivet nedenfor (der findes en fil, som kan udskrives, på vores websted), eller ved at kontakte Yamahas nationale repræsentationskontor i det land, hvor De bor. * EØO: Det Europæiske Økonomiske Område</p>	Dansk
<p>Tärkeä ilmoitus: Takuutiedot Euroopan talousalueen (ETA)* ja Sveitsin asiakkaille</p> <p>Tämän Yamaha-tuotteen sekä ETA-alueen ja Sveitsin takuuta koskevat yksityiskohtaiset tiedot saatte alla olevasta nettiosoitteesta. (Tulostettava tiedosto saatavissa sivustollamme.) Voitte myös ottaa yhteyttä paikalliseen Yamaha-edustajaan. *ETA: Euroopan talousalue</p>	Suomi
<p>Ważne: Warunki gwarancyjne obowiązujące w EOG* i Szwajcarii</p> <p>Aby dowiedzieć się więcej na temat warunków gwarancyjnych tego produktu firmy Yamaha i serwisu gwarancyjnego w całym EOG* i Szwajcarii, należy odwiedzić wskazaną poniżej stronę internetową (Plik gotowy do wydruku znajduje się na naszej stronie internetowej) lub skontaktować się z przedstawicielstwem firmy Yamaha w swoim kraju. * EOG — Europejski Obszar Gospodarczy</p>	Polski
<p>Důležité oznámení: Záruční informace pro zákazníky v EHS* a ve Švýcarsku</p> <p>Podrobné záruční informace o tomto produktu Yamaha a záručním servisu v celém EHS* a ve Švýcarsku naleznete na níže uvedené webové adrese (soubor k tisku je dostupný na našich webových stránkách) nebo se můžete obrátit na zastoupení firmy Yamaha ve své zemi. * EHS: Evropský hospodářský prostor</p>	Česky
<p>Fontos figyelmeztetés: Garancia-információk az EGT* területén és Svájcban élő vásárlók számára</p> <p>A jelen Yamaha termékre vonatkozó részletes garancia-információk, valamint az EGT*-re és Svájcra kiterjedő garanciális szolgáltatás tekintetében keresse fel webhelyünket az alábbi címen (a webhelyen nyomtatható fájl is talál), vagy pedig lépjen kapcsolatba az országában működő Yamaha képviseleti irodával. * EGT: Európai Gazdasági Térség</p>	Magyar
<p>Oluline märkus: Garantiteave Euroopa Majanduspiirkonna (EMP)* ja Šveitsi klientidele</p> <p>Täpsemate teabe saamiseks selle Yamaha toote garantii ning kogu Euroopa Majanduspiirkonna ja Šveitsi garantiteeninduse kohta, külastage palun veebisaiti alljärgneval aadressil (meie saidil on saadaval printitav fail) või pöörduge Teie regiooni Yamaha esinduse poole. * EMP: Euroopa Majanduspiirkond</p>	Eesti keel
<p>Svarīgs paziņojums: garantijas informācija klientiem EEZ* un Šveicā</p> <p>Lai saņemtu detalizētu garantijas informāciju par šo Yamaha produktu, kā arī garantijas apkalpošanu EEZ* un Šveicā, lūdzu, apmeklējiet zemāk norādīto tīmekļa vietnes adresi (tīmekļa vietni ir pieejams drukājams fails) vai sazinieties ar jūsu valsti apkalpojošo Yamaha pārstāvniecību. * EEZ: Eiropas Ekonomikas zona</p>	Latviešu
<p>Dėmesio: informacija dėl garantijos pirkėjams EEE* ir Šveicarijoje</p> <p>Jei reikita išsamios informacijos apie šį „Yamaha“ produktą ir jo techninę priežiūrą visoje EEE* ir Šveicarijoje, apsilankykite mūsų svetainėje toliau nurodytu adresu (svetainėje yra spausdinlinas failas) arba kreipkitės į „Yamaha“ atstovybę savo šalyje. *EEE – Europos ekonominė erdvė</p>	Lietuvių kalba
<p>Dôležité upozornenie: Informácie o záruke pre zákazníkov v EHP* a Švajčiarsku</p> <p>Pre podrobnejšie informácie o záruke týkajúcej sa tohto produktu od spoločnosti Yamaha a garančnom servise v EHP* a Švajčiarsku nájdete na webovej stránke uvedenej nižšie (na našej webovej stránke je k dispozícii súbor na tlač) alebo sa obráťte na zástupcu spoločnosti Yamaha vo svojej krajine. * EHP: Európsky hospodársky priestor</p>	Slovenčina
<p>Pomembno obvestilo: Informacije o garanciji za kupce v EGP* in Švici</p> <p>Za podrobnejše informacije o tem Yamahinem izdelku ter garancijskem servisu v celotnem EGP in Švici, obiščite spletno mesto, ki je navedeno spodaj (natisljiva datoteka je na voljo na našem spletnem mestu), ali se obrnite na Yamahinega predstavnika v svoji državi. * EGP: Evropski gospodarski prostor</p>	Slovenščina
<p>Важно съобщение: Информация за гаранцията за клиенти в ЕИП* и Швейцария</p> <p>За подробна информация за гаранцията за този продукт на Yamaha и гаранционното обслужване в паневропейската зона на ЕИП* и Швейцария или посетете посочения по-долу уеб сайт (на нашия уеб сайт има файл за печат), или се свържете с представителния офис на Yamaha във вашата страна. * ЕИП: Европейско икономическо пространство</p>	Български език
<p>Notificare importantă: Informații despre garanție pentru clienții din SEE* și Elveția</p> <p>Pentru informații detaliate privind acest produs Yamaha și serviciul de garanție Pan-SEE* și Elveția, vizitați site-ul la adresa de mai jos (fișierul imprimabil este disponibil pe site-ul nostru) sau contactați biroul reprezentanței Yamaha din țara dumneavoastră. * SEE: Spațiul Economic European</p>	Limba română
<p>Važna obavijest: Informacije o jamstvu za države EGP-a i Švicarske</p> <p>Pre detaljne informacije o jamstvu za ovaj Yamahin proizvod ter jamstvenom servisu za cijeli EGP i Švicarsku, molimo Vas da posjetite web-stranicu navedenu u nastavku ili kontaktirate ovlaštenog Yamahinog dobavljača u svojoj zemlji. * EGP: Evropski gospodarski prostor</p>	Hrvatski

<https://europe.yamaha.com/warranty/>

URL_5

For details of products, please contact your nearest Yamaha representative or the authorized distributor listed below.

Pour plus de détails sur les produits, veuillez-vous adresser à Yamaha ou au distributeur le plus proche de vous figurant dans la liste suivante.

Para detalles sobre productos, contacte su tienda Yamaha más cercana o el distribuidor autorizado que se lista debajo.

NORTH AMERICA

CANADA

Yamaha Canada Music Ltd.
135 Milner Avenue, Toronto, Ontario M1S 3R1,
Canada
Tel: +1-416-298-1311

U.S.A.

Yamaha Corporation of America
6600 Orangethorpe Avenue, Buena Park, CA 90620,
U.S.A.
Tel: +1-714-522-9011

CENTRAL & SOUTH AMERICA

MEXICO

Yamaha de México, S.A. de C.V.
Av. Insurgentes Sur 1647 Piso 9, Col. San José
Insurgentes, Delegación Benito Juárez, CDMX,
C.P. 03900, México
Tel: +52-55-5804-0600

BRAZIL

Yamaha Musical do Brasil Ltda.
Praça Professor José Lannes, 40-Cjs 21 e 22, Brooklin
Paulista Novo CEP 04571-100 – São Paulo – SP,
Brazil
Tel: +55-11-3704-1377

ARGENTINA

**Yamaha Music Latin America, S.A.,
Sucursal Argentina**
Olga Cossetini 1553, Piso 4 Norte,
Madero Este-C1107/CEK,
Buenos Aires, Argentina
Tel: +54-11-4119-7000

PANAMA AND OTHER LATIN AMERICAN REGIONS/ CARIBBEAN REGIONS

Yamaha Music Latin America, S.A.
Edificio Torre Davivienda, Piso: 20
Avenida Balboa, Marbella, Corregimiento de Bella
Vista, Ciudad de Panamá, Rep. de Panamá
Tel: +507-269-5311

EUROPE

THE UNITED KINGDOM/IRELAND

Yamaha Music Europe GmbH (UK)
Sherbourne Drive, Tilbrook, Milton Keynes,
MK7 8BL, U.K.
Tel: +44-1908-366700

GERMANY

Yamaha Music Europe GmbH
Siemensstrasse 22-34, 25462 Rellingen, Germany
Tel: +49-4101-303-0

SWITZERLAND/LIECHTENSTEIN

**Yamaha Music Europe GmbH, Branch
Switzerland in Thalwil**
Seestrasse 18a, 8800 Thalwil, Switzerland
Tel: +41-44-3878080

AUSTRIA/CROATIA/CZECH REPUBLIC/ HUNGARY/ROMANIA/SLOVAKIA/ SLOVENIA

Yamaha Music Europe GmbH, Branch Austria
Schleiergasse 20, 1100 Wien, Austria
Tel: +43-1-60203900

POLAND

**Yamaha Music Europe
Sp.z o.o. Oddział w Polsce**
ul. Wielicka 52, 02-657 Warszawa, Poland
Tel: +48-22-880-08-88

BULGARIA

Dinacord Bulgaria LTD.
Bul. Iskarsko Schose 7 Targowski Zentar Ewropa
1528 Sofia, Bulgaria
Tel: +359-2-978-20-25

MALTA

Olimpus Music Ltd.
Valletta Road, Mosta MST9010, Malta
Tel: +356-2133-2093

NETHERLANDS/BELGIUM/ LUXEMBOURG

Yamaha Music Europe, Branch Benelux
Clarissenhof 5b, 4133 AB Vianen, The Netherlands
Tel: +31-347-358040

FRANCE

Yamaha Music Europe
7 rue Ambroise Croizat, Zone d'activités de Pariest,
77183 Croissy-Beaubourg, France
Tel: +33-1-6461-4000

ITALY

Yamaha Music Europe GmbH, Branch Italy
Via Tinelli N.67/69 20855 Gerno di Lesmo (MB),
Italy
Tel: +39-039-9065-1

SPAIN/PORTUGAL

**Yamaha Music Europe GmbH Ibérica, Sucursal
en España**
Ctra. de la Coruña km. 17,200, 28231
Las Rozas de Madrid, Spain
Tel: +34-91-639-88-88

GREECE

Philippos Nakas S.A. The Music House
19th km. Leof. Lavriou 190 02 Peania – Attiki,
Greece
Tel: +30-210-6686260

SWEDEN

**Yamaha Music Europe GmbH Germany Filial
Scandinavia**
JA Wettergrensgata 1, 400 43 Göteborg, Sweden
Tel: +46-31-89-34-00

DENMARK

**Yamaha Music Denmark,
Fillial of Yamaha Music Europe GmbH, Tyskland**
Generatorvej 8C, ST. TH., 2860 Søborg, Denmark
Tel: +45-44-92-49-00

FINLAND

F-Musiikki Oy
Antaksentie 4
FI-01510 Vantaa, Finland
Tel: +358 (0)96185111

NORWAY

**Yamaha Music Europe GmbH Germany -
Norwegian Branch**
Grini Næringspark 1, 1332 Østerås, Norway
Tel: +47-6716-7800

ICELAND

Hljodfaerahusid Ehf.
Sidumula 20
IS-108 Reykjavik, Iceland
Tel: +354-525-5050

CYPRUS

Nakas Music Cyprus Ltd.
Nikis Ave 2k
1086 Nicosia
Tel: +357-22-511080
Major Music Center
21 Ali Riza Ave. Ortakoy
P.O.Box 475 Lefkoşa, Cyprus
Tel: (392) 227 9213

RUSSIA

Yamaha Music (Russia) LLC.
Room 37, entrance 7, bld. 7, Kievskaya street,
Moscow, 121059, Russia
Tel: +7-495-626-5005

OTHER EUROPEAN REGIONS

Yamaha Music Europe GmbH
Siemensstrasse 22-34, 25462 Rellingen, Germany
Tel: +49-4101-303-0

AFRICA

Yamaha Music Gulf FZE
JAFZA-16, Office 512, P.O.Box 17328,
Jebel Ali FZE, Dubai, UAE
Tel: +971-4-801-1500

MIDDLE EAST

TURKEY

**Yamaha Music Europe GmbH
Merkezi Almanya Türkiye İstanbul Şubesi**
Mor Sumbul Sokak Varyap Meridian Business
1.Blok No:1 113-114-115
Bati Atasehir Istanbul, Turkey
Tel: +90-216-275-7960

ISRAEL

RBX International Co., Ltd.
P.O Box 10245, Petach-Tikva, 49002
Tel: (972) 3-925-6900

OTHER REGIONS

Yamaha Music Gulf FZE
JAFZA-16, Office 512, P.O.Box 17328,
Jebel Ali FZE, Dubai, UAE
Tel: +971-4-801-1500

ASIA

THE PEOPLE'S REPUBLIC OF CHINA

Yamaha Music & Electronics (China) Co., Ltd.
2F, Yunhedasha, 1818 Xinzha-lu, Jingan-qu,
Shanghai, China
Tel: +86-400-051-7700

HONG KONG

Tom Lee Music Co., Ltd.
11/F, Silvercord Tower 1, 30 Canton Road,
Tsimshatsui, Kowloon, Hong Kong
Tel: +852-2737-7688

INDIA

Yamaha Music India Private Limited
P-401, JMD Megapolis, Sector-48, Sohna Road,
Gurugram-122018, Haryana, India
Tel: +91-124-485-3300

INDONESIA

PT Yamaha Musik Indonesia Distributor
Yamaha Music Center Bldg. Jalan Jend. Gatot
Subroto Kav. 4, Jakarta 12930, Indonesia
Tel: +62-21-520-2577

KOREA

Yamaha Music Korea Ltd.
11F, Prudential Tower, 298, Gangnam-daero,
Gangnam-gu, Seoul, 06253, Korea
Tel: +82-2-3467-3300

MALAYSIA

Yamaha Music (Malaysia) Sdn. Bhd.
No.8, Jalan Perbandaran, Kelana Jaya, 47301
Petaling Jaya, Selangor, Malaysia
Tel: +60-3-78030900

SINGAPORE

Yamaha Music (Asia) Private Limited
Block 202 Hougang Street 21, #02-00,
Singapore 530202, Singapore
Tel: +65-6740-9200

TAIWAN

Yamaha Music & Electronics Taiwan Co., Ltd.
2F, No.1, Yuanlong Rd., Banqiao Dist.,
New Taipei City 22063, Taiwan (R.O.C.)
Tel: +886-2-7741-8888

THAILAND

Siam Music Yamaha Co., Ltd.
3, 4, 15, 16th Fl., Siam Motors Building,
891/1 Rama 1 Road, Wangmai,
Pathumwan, Bangkok 10330, Thailand
Tel: +66-2215-2622

VIETNAM

Yamaha Music Vietnam Company Limited
15th Floor, Nam A Bank Tower, 201-203 Cach
Mang Thang Tam St., Ward 4, Dist.3,
Ho Chi Minh City, Vietnam
Tel: +84-28-3818-1122

OTHER ASIAN REGIONS

[https://asia-latinamerica-mea.yamaha.com/
index.html](https://asia-latinamerica-mea.yamaha.com/index.html)

OCEANIA

AUSTRALIA

Yamaha Music Australia Pty. Ltd.
Level 1, 80 Market Street, South Melbourne,
VIC 3205 Australia
Tel: +61-3-9693-5111

NEW ZEALAND

Music Works LTD
P.O. BOX 6246 Wellesley, Auckland 4680,
New Zealand
Tel: +64-9-634-0099

REGIONS AND TRUST

TERRITORIES IN PACIFIC OCEAN

[https://asia-latinamerica-mea.yamaha.com/
index.html](https://asia-latinamerica-mea.yamaha.com/index.html)

Yamaha Global Site
<https://www.yamaha.com/>
Yamaha Downloads
<https://download.yamaha.com/>

Manual Development Group
© 2022 Yamaha Corporation
Published 03/2022
MWMA-A0

VEH0570