



Max LP

Quickstart Guide

English (2 – 5)

Guía de inicio rápido

Español (6 – 9)

Guide d'utilisation rapide

Français (10 – 13)

Guida rapida

Italiano (14 – 17)

Kurzanleitung

Deutsch (18 – 21)

Snelstartgids

Nederlands (22 – 25)

Appendix

English (26)

Quickstart Guide (English)

Box Contents

Make sure that the items listed below are included in the box:

- Max LP
- Power Adapter
- Dust Cover
- USB cable
- Aux Input Cable
- Felt Slipmat
- 45 RPM Adapter
- Software CD
- Quickstart Guide
- Safety & Warranty Manual

READ SAFETY INSTRUCTION BOOKLET BEFORE USING THE PRODUCT

Support

- For the most up to date system requirements, compatibility information, and product registration, visit the ION website: ionaudio.com
- For the latest information about this product, visit ionaudio.com/maxlp
- For additional product support, visit ionaudio.com/support
- For safety/warranty information, visit ionaudio.com/warranty

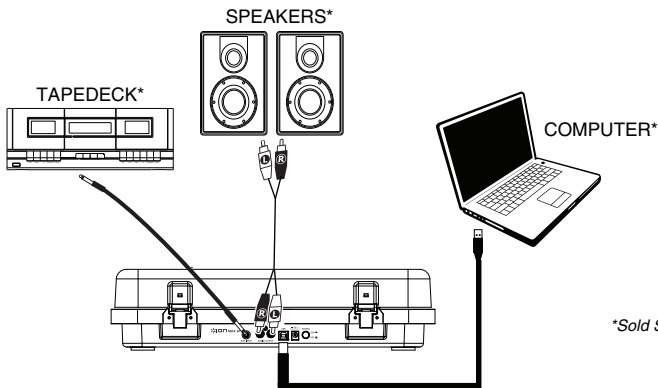
Connecting the Dust Cover to Max LP

To attach the included dust cover, follow these instructions:

1. Align the dust cover with the turntable's rear panel hinges.
2. Attach the dust cover to the hinges, pressing down to lock them into place.

Connection Diagram

Since Max LP has built-in speakers, it is not necessary to connect speakers in order to listen to your vinyl records. However, if you want to connect your own speakers, please see the following diagram.



Using Max LP With Your Computer

Playback

There are 3 ways to listen to your vinyl records with Max LP:

1. You can simply listen to your music using Max LP's internal speakers.
2. If you prefer to use your own stereo speakers, you can connect Max LP's RCA outputs to a stereo system or to powered speakers. Do not connect them to phono-level inputs; Max LP's RCA outputs are line-level and could damage a device with phono-level inputs. (Any other standard input type, such as CD, Aux In, or Tape is acceptable).
3. You can listen through your computer speakers or with headphones connected to your computer, once your computer soundcard's input device has been set to *USB PnP Audio Device* or *USB Audio Device*, depending on your Windows operating system (USB PnP Audio Device on Mac OS X) and that you are record-monitoring the audio using EZ Vinyl/Tape Converter or similar software (Max LP cannot be used as a playback device for your computer's audio.). See the section *Setting Your Computer's Soundcard as the Default Playback Device* for details on how to configure sound playback.

Recording

To record music to your computer, you can use ION EZ Vinyl/Tape Converter. EZ Vinyl/Tape Converter makes it easy to turn your music into digital files. After you finish converting your vinyl, you can then burn to CD or load onto portable media devices.

To install the software, insert the included CD into your computer, and follow the on-screen instructions.

Visit ionaudio.com/ezvc to download the latest version of EZ Vinyl/Tape Converter software or for helpful troubleshooting guide and additional support.

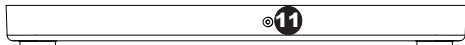
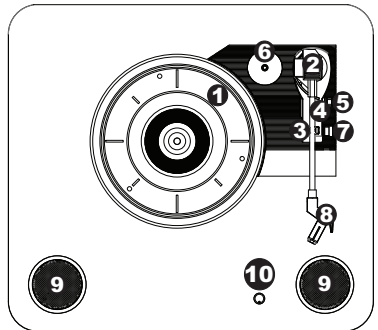
1. With EZ Vinyl/Tape Converter installed on your computer, use the included USB cable to connect Max LP's USB port to an available USB port on your computer.
2. On your computer, you can open EZ Vinyl/Tape Converter by going to **Start Menu ► All Programs (Windows)** or the **Applications** menu (Mac).
3. Follow the on-screen instructions to set up your recording. When prompted to play your music, move Max LP's tonearm over the record to start playback.

Note: To listen to a record while it's playing, listen through your computer's speakers, or connect Max LP's RCA outputs to a stereo system or powered speakers. Max LP must be connected to the computer in order for EZ Vinyl/Tape Converter to advance to the next step.

4. When you have finished recording, raise Max LP's tonearm from the record and return it to its arm clip.

Features

1. **Platter** – Place your record here.
2. **Tonearm*** – The tonearm can be raised and lowered by hand, or by pressing the raise / lower lever. Please note that the tonearm needs to be moved away from resting position (on the arm clip) for the turntable motor to activate. When the tonearm is placed back in its resting position, the turntable motor will deactivate if Autostop has been turned on.
3. **Arm Clip** – This specially designed arm clip secures the tonearm while at rest or when not in use. The arm clip has been designed to remain in the up position while unlocked.
4. **Raise / Lower Lever** – Raises and lowers the tonearm.
5. **33 / 45 / 78 Switch** – This switch controls the RPM of the turntable platter. If the record is not playing at the correct speed, see the *Troubleshooting* section for details on how to resolve this.
6. **45 RPM Adapter Holder** – Holds the included 45 RPM adapter. When not using the adapter, please place it in this holder.
7. **Autostop Switch** – This switch turns autostop on or off. When autostop is on, the platter will start spinning when the tonearm is placed over the record and stop spinning when the record has reached the end. (When autostop is off, the platter will always spin regardless of the position of the tonearm.)
Note: If your vinyl record stops before it reaches the end of the music, turn Autostop to the off position for this particular record. This is generally recommended for 45 RPM records.
8. **Headshell** – ION headshell with stylus and ceramic cartridge. Remove the plastic cover off the stylus before playing a record.

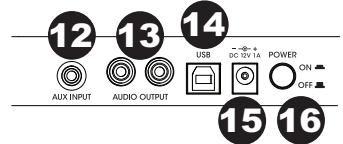


IMPORTANT: Remove the plastic cartridge cover (needle cover) before operating the turntable.

* **IMPORTANT:** A replacement cartridge/stylus can be purchased by contacting the ION Audio Parts Dept. at 401-658-3743 (U.S.), emailing parts@ionaudio.com, or by visiting ionaudio.com/products/accessories.

9. **Speakers** – Listen to the audio from your playing vinyl record.
10. **Volume** – Controls the audio output level of the internal speakers and the headphone output.
11. **Headphone Jack** – Connect headphones (sold separately) to listen to your vinyl playback.
12. **Aux Input** – Connect another audio source, such as cassette tapes, to this stereo 1/8" (3.5 mm) input to digitally convert the source through a USB connection to a computer.
13. **RCA Output**** – The audio from a playing vinyl record is sent to this line-level coaxial audio output. This must not be connected to phono level devices. (If you do not already have an RCA cable, this can be found at a local electronics retailer.)
14. **USB Audio Output** – Use the included USB cable to connect your turntable to your computer. The USB connection will send audio from the turntable to your computer. Please see the **Using Max LP With Your Computer** section of this manual for information.
15. **Power** – Use the included adapter to connect to wall power.
16. **Power Button** – Press this button to turn Max LP on/off.

**** WARNING:** The RCA outputs are LINE level. Please only connect these to LINE level inputs. You may damage your receiver if you plug in a LINE level device into a PHONO level input.



Troubleshooting

If you experience any difficulties, please refer to the troubleshooting steps below as well as those in the EZ Vinyl/Tape Converter manual included with this product.

I'm not hearing any audio when recording music to a computer:

- o Make sure that Max LP is powered on and that the needle is on the record.
- o Make Max LP is selected as your computer's default recording device (see the instructions below).
- o Disconnect then reconnect the USB cable connecting Max LP to your computer. Make sure the computer speakers are turned up and the volume is not muted. Try turning up the volume on the Max LP's built-in speakers using the volume knob on the top panel of Max LP.
- o If you are listening through your computer's speakers, make sure those speakers are selected as your computer's default playback device (see the instructions below). Alternatively, you could connect Max LP's RCA outputs to a stereo system or powered speakers. Do **not** connect them to phono-level inputs; Max LP's RCA outputs are line-level and could damage a device with phono-level inputs. (Note: The RCA outputs monitor the signal coming out of the turntable, not the signal coming from your computer.)

I'm not hearing any audio when playing music:

- If you are playing music from **vinyl**:
 - o Make sure that Max LP is powered on and that the needle is on the record.
 - o Connect Max LP's RCA outputs to a stereo system or powered speakers. (Do **not** connect them to phono-level inputs; Max LP's RCA outputs are line-level and could damage a device with phono-level inputs.)
 - o Make sure to adjust the volume knob on the turntable in order to hear your vinyl record playing through the built-in speakers.
- If you are playing music from your **computer**:
 - o Make sure your software music player's volume is turned up.
 - o Make sure your computer's volume is turned up.
 - o Make sure your computer's speakers are selected as your computer's default playback device (see the instructions below). (Max LP cannot be used as a playback device for your computer's audio.)

I am hearing a hum through my speaker or laptop when using the turntable:

- If you are recording to a laptop:
 - o Please connect the laptop to a grounded power supply (3 prong).
- If you are playing through a speaker:
 - o Ensure you are using the 12V 1A power adapter that was included with your product.
 - o If your volume is on max, try turning it down until the hum stops.

My turntable is not making any sound, or music is muffled:

- o Take the cover off the stylus.

The turntable belt fell off:

- o Please re-attach the belt to the turntable. For details on how to do this, see the guide located at ionaudio.com/turntablebelt.

My turntable is not spinning:

- o Ensure the turntable is powered on (power switch in the back).
- o Ensure autostop is turned on and the tonearm is placed over record (if auto stop is off it should always be spinning when power is on).
- o If the above steps do not help, you may need to re-attach your turntable belt. For details on how to do this, see the guide located at ionaudio.com/turntablebelt.

My record is not playing at the correct speed; its pitch is too high or too low:

- o Ensure the 33 / 45 / 78 switch is set to the correct speed for your record.
- o If the 33 / 45 / 78 switch is set correctly and the speed is still slightly off, do the following:
 1. On the underside of Max LP, find the rubber pad with the RPM speed you want to adjust, and gently lift up the rubber pad to remove it.
 2. For the 45 and 33 RPM setting, push through the rubber seal, and tighten/loosen the screw using a Phillips-head screwdriver to fine-tune the RPM speed.
 3. For the 78 RPM setting, tighten/loosen the screw using a flat-head screwdriver.

Setting Your Computer's Soundcard as the Default Playback Device

- **Windows XP:** Click **Start Menu ► Control Panel** (or **Settings ► Control Panel** in Classic View) ► **Sound and Audio Devices**. Click the **Audio** tab and under **Sound playback**, select your computer's soundcard as the default device.
- **Windows Vista:** Click **Start Menu ► Control Panel** (or **Settings ► Control Panel** in Classic View) ► **Hardware and Sound ► Sound**. Click the **Playback** tab and select your computer's soundcard as the default device.
- **Windows 7:** Click **Start Menu ► Control Panel ► Sound**. Click the **Playback** tab and select your computer's soundcard as the default device.
- **Windows 8:** From the **Start** menu, click the lower-left corner of the screen to bring yourself to the Desktop. In the bottom-right corner of the Taskbar, locate the Volume Control "Speaker" icon. Right-click the speaker and select **Playback Devices**. The **Windows Sound** control panel should appear set on the **Playback** tab. If your computer's soundcard does not have a green "check mark" symbol next to it, right-click it and select "Set as Default Device".
- **Mac:** Click the upper-left "apple" icon then click **System Preferences ► Sound**. Click the **Output** tab. From the menu, select **Internal Speakers** if you are using the computer's internal speakers or select **Headphones** if you are using speakers or headphones attached to the computer's 1/8" headphone output.

Setting Max LP as the Default Recording Device

- **Windows XP:** Click **Start Menu ► Control Panel** (or **Settings ► Control Panel** in Classic View) ► **Sound and Audio Devices**. Click the **Audio** tab and under **Sound recording**, select USB PnP Audio Device as the default device.
- **Windows Vista:** Click **Start Menu ► Control Panel** (or **Settings ► Control Panel** in Classic View) ► **Hardware and Sound ► Sound**. Click the **Recording** tab and select USB Audio Device as the default device.
- **Windows 7:** Click **Start Menu ► Control Panel ► Sound**. Click the **Recording** tab and select USB Audio Device as the default device.
- **Windows 8:** From the **Start** menu, click the lower-left corner of the screen to bring yourself to the Desktop. In the bottom-right corner of the Taskbar, locate the Volume Control "Speaker" icon. Right-click the speaker and select **Playback Devices**. In the **Windows Sound** control panel select the **Recording** tab. If USB PnP Audio Device does not have a green "check mark" symbol next to it, right-click it and select "Set as Default Device".
- **Mac:** Click the upper-left "apple" icon then click **System Preferences ► Sound**. Click the **Input** tab. From the menu, select USB PnP Audio Device as the device.

BEFORE RETURNING THE PRODUCT, please contact ION Audio for technical at ionaudio.com/support.

Guía de inicio rápido (Español)

Contenido de la caja

Asegúrese de que todos los elementos abajo indicados estén incluidos en la caja.

- Max LP
- Adaptador de alimentación
- Cubierta antipolvo
- Cable USB
- Cable para entrada auxiliar
- Almohadillas antideslizantes de fieltro
- Adaptador para 45 RPM
- CD de software
- Guía de inicio rápido
- Manual sobre la seguridad y garantía

LEA EL FOLLETO DE INSTRUCCIONES DE SEGURIDAD ANTES DE UTILIZAR EL PRODUCTO.

Soporte

- Para obtener información completa sobre requisitos del sistema, compatibilidad y registro del producto, visite el sitio web de ION: ionaudio.com
- Para obtener la información más completa acerca de este producto, visite ionaudio.com/maxlp
- Para soporte adicional del producto, visite ionaudio.com/support
- Para información acerca de la seguridad y la garantía, visite ionaudio.com/warranty

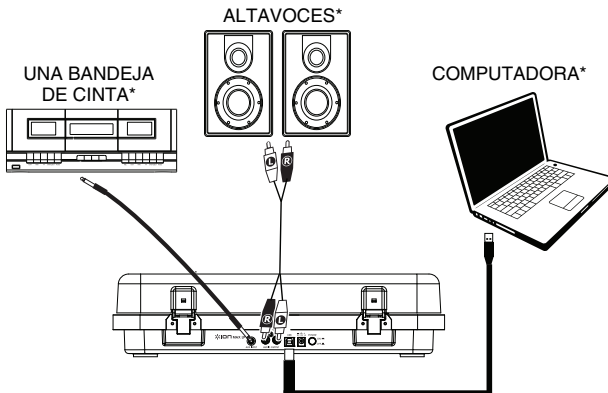
Cómo fijar la cubierta antipolvo al Max LP

Siga estas instrucciones para fijar la cubierta antipolvo incluida:

1. Alinee la cubierta antipolvo con las bisagras del panel trasero del giradiscos.
2. Fije la cubierta antipolvo a las bisagras, presionando hacia abajo para fijarlas en su lugar.

Diagrama de conexión

Puesto que el Max LP tiene altavoces integrados, no es necesario conectar altavoces a fin de escuchar sus discos de vinilo. No obstante, si desea conectar sus propios altavoces, vea el diagrama siguiente.



*Se vende por separado

Cómo usar el Max LP con su computadora

Reproducción

¡Hay 3 maneras de escuchar sus discos de vinilo con Max LP:

1. Puede escuchar simplemente su música con los altavoces internos de Max LP.
2. Si prefiere usar sus propios altavoces estéreo, puede conectar las salidas RCA de Max LP a un sistema estéreo o a altavoces alimentados. No las conecte a entradas de nivel fonográfico —las salidas RCA del Max LP son de nivel de línea y podrían dañar un dispositivo con entradas de nivel fonográfico. (Cualquier otro tipo de entrada estándar, tal como CD, entrada Aux o Cinta, es aceptable).
3. Puede escuchar a través de los altavoces de su ordenador o auriculares conectados al mismo, una vez que el dispositivo de entrada de la placa de sonido de su ordenador se configure como *USB PnP Audio Device* (Dispositivo de audio USB PnP) o *USB Audio Device*, (Dispositivo de audio USB) dependiendo de su sistema operativo Windows (USB PnP Audio Device para Mac OS X) y de si está grabando y monitorizando con el software EZ Vinyl/Tape Converter o similar (el Max LP no puede utilizarse como dispositivo de reproducción para el audio de su ordenador). Consulte la sección *Cómo configurar la placa de sonido de su ordenador como dispositivo de reproducción por defecto* para más detalles acerca de cómo configurar la reproducción del sonido.

Cómo grabar

Para grabar música en su computadora, puede usar el EZ Vinyl/Tape Converter de ION. EZ Vinyl/Tape Converter facilita la conversión de su música en archivos digitales. Después de terminar de convertir su vinilo, puede quemarlo en CD o cargarlo en dispositivos de medios portátiles.

Para instalar el software, inserte el CD incluido en su computadora y siga las instrucciones de la pantalla.

Visite ionaudio.com/ezvc para descargar la versión más reciente de EZ Vinyl/Tape Converter software o para obtener una guía útil de solución de problemas y soporte adicional.

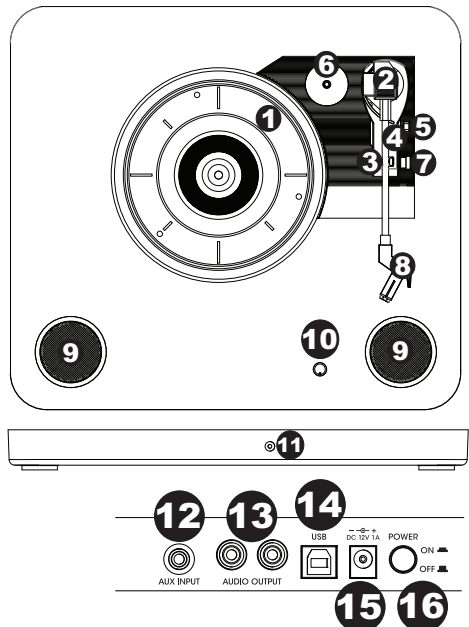
1. Con EZ Vinyl/Tape Converter instalado en su computadora, use el cable USB incluido para conectar el puerto USB del Max LP a un puerto USB disponible de su computadora.
2. En su computadora, puede abrir EZ Vinyl/Tape Converter yendo al **menú Start ▶ All Programs** (Inicio ▶ Todos los programas) (Windows) o al menú **Applications** (Aplicaciones) (Mac).
3. Siga las instrucciones de la pantalla para preparar su grabación. Cuando se le indique que reproduzca su música, lleve el brazo del Max LP sobre el disco para iniciar la reproducción.

Nota: Para escuchar el disco mientras se reproduce, óigalo por los altavoces de su computadora o conecte las salidas RCA del Max LP a un sistema estéreo o altavoces alimentados. El Max LP debe conectarse a la computadora a fin de que EZ Vinyl/Tape Converter avance al paso siguiente.

4. Cuando termine de grabar, levante el brazo del Max LP del disco y colóquelo en su clip.

Características

1. **Plato** – Coloque aquí su disco.
2. **Brazo*** – El brazo se puede subir y bajar a mano o presionando la palanca de subir / bajar. Tenga en cuenta que es necesario sacar el brazo de la posición de reposo (sobre el clip del brazo) para que se active el motor del giradiscos. Cuando el brazo se coloca de nuevo en su posición de reposo, el motor del giradiscos se desactiva. Cuando el brazo se coloca de nuevo en su posición de reposo, el motor del giradiscos se desactiva si Autostop está activado.
3. **Clip del brazo** – Este clip diseñado especialmente fija el brazo mientras está en reposo o no se usa. El clip ha sido diseñado para que permanezca hacia arriba mientras está desbloqueado.
4. **Palanca de subir / bajar** – Sube y baja el brazo.
5. **Conmutador de 33 / 45 / 78 RPM** – Este conmutador controla las RPM del plato del giradiscos. Si el disco no se reproduce a la velocidad correcta, consulte la sección *Solución de problemas* para más detalles acerca de cómo solucionar este problema.
IMPORTANTE: Si se gasta la púa del giradiscos, adquiera un reemplazo en ionaudio.com/ict05rs. Si reproduce discos de 78 RPM, recomendamos usar una púa para 78 RPM, que puede adquirir en ionaudio.com/ict06rs.
6. **Soporte del Adaptador Para 45 RPM** – Sostiene el adaptador para 45 RPM incluido. Cuando no use el adaptador, póngalo en este soporte.



7. **Interruptor de parada automática** – Este interruptor activa y desactiva la parada automática. Cuando la parada automática está activada, el plato comienza a girar cuando el brazo se coloca sobre el disco y se detiene cuando llega al final del mismo. (Si está desactivada, el plato gira siempre, independientemente de la posición del brazo.)
Nota: Si su disco de vinilo se detiene antes de llegar al final de la música, gire Autostop a la posición de desactivado para este disco en particular. Esto se recomienda en general para los discos de 45 RPM.
8. **Portacápsula** – Portacápsula ION con púa y cápsula de cerámica. Retire la cubierta plástica de la púa antes de reproducir un disco.
9. **Altavoces** – Escuche el audio de su disco de vinilo.
10. **Volumen** – Controla el nivel de la salida de audio proveniente de los altavoces internos y la salida para auriculares.
11. **Conector para auriculares** – Conecte auriculares (que se venden por separado) para escuchar sus discos de vinilo.
12. **Entrada auxiliar** – Conecte otra fuente de audio, como cassetes, a esta entrada estéreo de 3,5 mm (1/8 pulg.) para convertir digitalmente la fuente a través de una conexión USB con un ordenador.
13. **Salida RCA**** – El audio del disco de vinilo que se está reproduciendo se aplica a esta salida de audio coaxial de nivel de línea. Esta salida no debe conectarse a dispositivos de nivel fonográfico. (Si no tiene aún un cable RCA, puede encontrarlo en una tienda de electrónica local).
14. **Salida de audio USB** – Use el cable USB incluido para conectar el giradiscos a su computadora. La conexión USB envía audio desde el giradiscos a su computadora. Para obtener información, consulte la sección **CÓMO USAR EL Max LP CON SU COMPUTADORA**.
15. **Alimentación eléctrica** – Use el adaptador incluido para conectarlo al tomacorriente de pared.
16. **Botón de encendido** – Pulse este botón para encender y apagar el Max LP.

IMPORTANTE: Retire la cubierta plástica de la cápsula (cubierta de la púa) antes de hacer funcionar el giradiscos.

* **IMPORTANTE:** Pueden comprarse cápsulas/púas de repuesto llamando al departamento de repuestos de ION Audio al parts@ionaudio.com o visitando ionaudio.com/products/accessories.

** **ADVERTENCIA:** Las salidas RCA son para nivel de LÍNEA. Conéctelas sólo a las entradas de nivel de línea (LINE). Puede dañar el receptor si enchufa un dispositivo de nivel de línea en una entrada de nivel fonográfico (PHONO).

Solución de problemas

Si experimenta alguna dificultad, consulte los pasos de solución de problemas que se indican a continuación, como también el manual de EZ Vinyl/Tape Converter incluido con este producto.

No oigo ningún audio cuando grabo música en una computadora:

- o Asegúrese de que el Max LP esté encendido y que la púa esté sobre el disco.
- o Haga que el Max LP esté seleccionado como dispositivo de grabación predeterminado de su computadora (consulte las instrucciones de más abajo).
- o Desconecte y vuelva a conectar el cable USB entre el Max LP y la computadora.
- o Asegúrese de que los altavoces de la computadora estén encendidos y el volumen no esté silenciado. Trate de subir el volumen de los altavoces integrados de Max LP usando la perilla de volumen del panel superior del Max LP.
- o Si está escuchando por los altavoces de la computadora, asegúrese de que estos estén seleccionados como dispositivo de reproducción predeterminado de la misma (consulte las instrucciones de más abajo). Como alternativa, puede conectar las salidas RCA del Max LP a un sistema estéreo o altavoces alimentados. **No** las conecte a entradas de nivel fonográfico —las salidas RCA del Max LP son de nivel de línea y podrían dañar un dispositivo con entradas de nivel fonográfico.
(Nota: Las salidas RCA monitorean la señal proveniente del giradiscos y no la señal proveniente de su computadora.)

No oigo ningún audio cuando reproduzco la música:

- Si está reproduciendo la música de un **vinilo**:
 - o Asegúrese de que el Max LP esté encendido y que la púa esté sobre el disco.
 - o Conecte las salidas RCA del Max LP a un sistema estéreo o altavoces alimentados. (**No** las conecte a entradas de nivel fonográfico —las salidas RCA del Max LP son de nivel de línea y podrían dañar un dispositivo con entradas de nivel fonográfico.)
 - o Asegúrese de ajustar la perilla de volumen del giradiscos a fin de oír su disco de vinilo que se reproduce por los altavoces integrados.
- Si está reproduciendo la música de la **computadora**:
 - o Asegúrese de que el volumen del reproductor de música del software esté ajustado a un valor alto.
 - o Asegúrese de que el volumen de su computadora esté ajustado a un valor alto.
 - o Asegúrese de que los altavoces de su computadora estén seleccionados como dispositivo de reproducción predeterminado de la misma (consulte las instrucciones de más abajo).
(El Max LP no se puede usar como dispositivo de reproducción para el audio de su computadora.)

Oigo un zumbido en mi altavoz o portátil cuando se usa el giradiscos:

- Si está grabando en una laptop:
 - o Conecte la laptop a un suministro eléctrico con conexión a tierra (de 3 patas)
- Si está reproduciendo por un altavoz:
 - o Asegúrese de usar el adaptador de alimentación de 12V 1A que se incluyó con su producto.
 - o Si su volumen está al máximo, trate de disminuirlo hasta que cese el zumbido.

Mi giradiscos no produce ningún sonido o la música está amortiguada.

- Retire la cubierta de la púa.

Se salió la correa del giradiscos:

- Vuelva a colocar la correa en el giradiscos. Para saber en detalle cómo hacerlo, consulte la guía que se encuentra en ionaudio.com/turntablebelt.

Mi giradiscos no gira:

- Asegúrese de que el giradiscos esté encendido (interruptor de encendido de la parte trasera).
- Asegúrese de que autostop esté activado y que el brazo esté colocado sobre el disco (si autostop está desactivado, debe girar siempre cuando está encendido).
- Si los pasos precedentes no dieron resultado, es posible que necesite volver a colocar la correa del giradiscos. Para saber en detalle cómo hacerlo, consulte la guía que se encuentra en ionaudio.com/turntablebelt.

Mi disco no se reproduce a la velocidad correcta. Su tono es demasiado alto o bajo:

- Asegúrese de que el interruptor 33 / 45 / 78 esté colocado en la velocidad correcta para su disco.
- Si el interruptor 33 / 45 / 78 está colocado correctamente y la velocidad aún está desajustada, haga lo siguiente:
 1. Del lado de abajo del Max LP, busque la almohadilla de goma con la velocidad en RPM que desea ajustar y levántela cuidadosamente para extraerla.
 2. Para ajustes de 45 y 33 RPM, empuje a través del sello de goma y apriete o afloje el tornillo con un destornillador Phillips para realizar el ajuste fino de la velocidad en RPM.
 3. Para el ajuste de 78 RPM, apriete/afloje el tornillo con un destornillador de hoja plana.

Cómo configurar la tarjeta de sonido de su computadora como dispositivo de reproducción predeterminado

- **Windows XP:** Haga clic en el **menú Start ► Control Panel** (Inicio ► Panel de control (o Settings ► Control Panel (Configuración ► Panel de control) en la vista clásica) ► **Sound and Audio Devices** (Dispositivos de sonido y audio). Haga clic en la pestaña **Audio** y bajo **Sound playback** (Reproducción de sonido), seleccione la tarjeta de sonido de su computadora como dispositivo predeterminado.
- **Windows Vista:** Haga clic en el **menú Start ► Control Panel** (Inicio ► Panel de control) (o Settings ► Control Panel (Configuración ► Panel de control) en la vista clásica) ► **Hardware and Sound** ► (Hardware y sonido) **Sound** (Sonido). Haga clic en la pestaña **Playback** (Reproducción) y seleccione la tarjeta de sonido de su computadora como dispositivo predeterminado.
- **Windows 7:** Haga clic en el **menú Start ► Control Panel ► Sound** (Inicio ► Panel de control ► Sonido). Haga clic en la pestaña **Playback** (Reproducción) y seleccione la tarjeta de sonido de su computadora como dispositivo predeterminado.
- **Windows 8:** Desde el menú **Start** (Inicio), haga clic en la esquina inferior izquierda de la pantalla para entrar al escritorio. En la esquina inferior derecha de la barra de tareas, localice el icono del "Altavoz" de control de volumen. Haga clic derecho en el altavoz y seleccione **Playback Devices** (Dispositivos de reproducción). El panel de control **Windows Sound** (Sonido de Windows) debe aparecer ubicado en la pestaña **Playback** (Reproducción). Si la tarjeta de sonido de su computadora no tiene el símbolo de la "marca de verificación" verde junto a ella, haga clic derecho en la misma y seleccione **Set as Default Device** (Configurar como dispositivo predeterminado).
- **Mac:** Haga clic en el icono superior izquierdo de la "manzana" y luego en **System Preferences ► Sound** (Preferencias del sistema ► Sonido). Haga clic en la pestaña **Output** (Salida). En el menú, seleccione **Internal Speakers** (Altavoces internos) si va a usar los altavoces internos de la computadora o **Headphones** (Auriculares) si va a usar altavoces o auriculares conectados a la salida para auriculares de 1/8" de la computadora.

Cómo configurar el Max LP como dispositivo de grabación predeterminado

- **Windows XP:** Haga clic en el **menú Start ► Control Panel** (Inicio ► Panel de control (o Settings ► Control Panel (Configuración ► Panel de control) en la vista clásica) ► **Sound and Audio Devices** (Dispositivos de sonido y audio). Haga clic en la pestaña **Audio** y bajo **Sound recording** (Grabación de sonido), seleccione el Dispositivo de audio USB PnP como dispositivo predeterminado.
- **Windows Vista:** Haga clic en el **menú Start ► Control Panel** (Inicio ► Panel de control) (o Settings ► Control Panel (Configuración ► Panel de control) en la vista clásica) ► **Hardware and Sound** ► (Hardware y sonido) **Sound** (Sonido). Haga clic en la pestaña **Recording** (Grabación) y seleccione el Dispositivo de audio USB como dispositivo predeterminado.
- **Windows 7:** Haga clic en el **menú Start ► Control Panel ► Sound** (Inicio ► Panel de control ► Sonido). Haga clic en la pestaña **Recording** (Grabación) y seleccione el Dispositivo de audio USB como dispositivo predeterminado.
- **Windows 8:** Desde el menú **Start** (Inicio), haga clic en la esquina inferior izquierda de la pantalla para entrar al escritorio. En la esquina inferior derecha de la barra de tareas, localice el icono del "Altavoz" de control de volumen. Haga clic derecho en el altavoz y seleccione **Playback Devices** (Dispositivos de reproducción). En el panel de control **Windows Sound** (Sonido de Windows), seleccione la pestaña **Recording** (Grabación). Si Dispositivo de audio USB PnP no tiene el símbolo de la "marca de verificación" verde junto a él, haga clic derecho en el mismo y seleccione **Set as Default Device** (Configurar como dispositivo predeterminado).
- **Mac:** Haga clic en el icono superior izquierdo de la "manzana" y luego en **System Preferences ► Sound** (Preferencias del sistema ► Sonido). Haga clic en la pestaña **Input** (Entrada). En el menú, seleccione el Dispositivo de audio USB PnP como dispositivo.

ANTES DE DEVOLVER EL PRODUCTO, comuníquese con Ion Audio para solicitar soporte técnico.

Guide d'utilisation rapide (Français)

Présentation

Assurez-vous que tous les articles énumérés dans le contenu de la boîte de ce guide sont inclus dans la boîte:

- Max LP
- Adaptateur d'alimentation
- Couverture de protection
- Câble USB
- Câble d'entrée auxiliaire
- Tapis en feutre
- Adaptateur 45 t/min
- CD logiciel
- Guide d'utilisation rapide
- Consignes de sécurité et informations concernant la garantie

VEUILLEZ LIRE LES CONSIGNES DE SÉCURITÉ AVANT D'UTILISER LE PRODUIT.

Assistance technique

- Pour tous les renseignements concernant la configuration système minimale requise, la compatibilité et l'enregistrement du produit, veuillez visiter le site Internet d'ION : ionaudio.com
- Pour les toutes dernières informations concernant ce produit, veuillez visiter le site ionaudio.com/maxlp
- Pour de l'assistance supplémentaire, veuillez visiter le site ionaudio.com/support
- Pour de plus amples informations concernant les consignes de sécurité/la garantie, veuillez visiter le site ionaudio.com/warranty

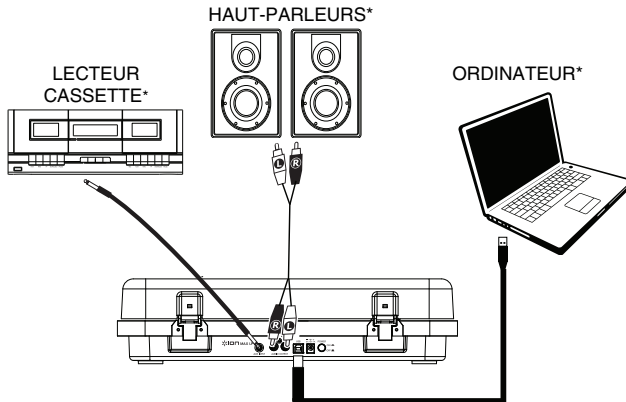
Installation du couvercle de protection du Max LP

Pour fixer le couvercle de protection inclus, veuillez suivre les instructions ci-dessous :

1. Alignez le couvercle avec les charnières du panneau arrière de la platine.
2. Fixez le couvercle sur les charnières, en appuyant vers le bas pour les bloquer en place.

Schéma de connexion

Puisque Le Max LP dispose de haut-parleurs internes, il n'est pas nécessaire de brancher des enceintes externes afin d'écouter vos disques vinyles. Toutefois, si vous souhaitez le raccorder à vos propres enceintes, veuillez consulter le diagramme suivant.



* Vendu séparément

Utilisation du Max LP avec un ordinateur

Lecture

Il y a 3 façons d'écouter les disques vinyles avec Max LP :

1. Vous pouvez tout simplement écouter votre musique en utilisant les haut-parleurs internes du Max LP.
2. Si vous préférez utiliser vos propres enceintes stéréo, branchez les sorties RCA du Max LP à un système stéréo ou à des enceintes amplifiées. (Ne tentez pas de les brancher à des entrées phono, car les sorties RCA du Max LP sont à niveau ligne et cela pourrait endommager un appareil phono (tout autre type d'entrée standard, comme CD, auxiliaire et cassette est acceptable).
3. Une fois que le périphérique d'entrée de la carte son de votre ordinateur a été défini sur *Périphérique audio USB PnP* ou *Périphérique audio USB*, selon votre système d'exploitation Windows (Périphérique audio USB sur Mac OS X), vous pouvez écouter le signal audio que vous contrôlez-enregistrez en utilisant le EZ Vinyl/Tape Converter ou un logiciel similaire par le biais de vos haut-parleurs d'ordinateur (ou un casque relié à votre ordinateur). Le Max LP ne peut être utilisé comme périphérique de lecture audio pour votre ordinateur. Veuillez consulter la section *Configuration de la carte son de l'ordinateur comme périphérique de lecture audio par défaut* pour plus de détails.

Enregistrement

Pour enregistrer de la musique sur votre ordinateur, vous pouvez utiliser l'application EZ Vinyl/Tape Converter de ION. Le logiciel EZ Vinyl/Tape Converter permet de simplifier le processus de conversion de votre musique en fichiers numériques. Une fois la conversion du vinyle terminée, vous pouvez graver les fichiers sur CD ou les transférer sur des lecteurs multimédia.

Insérez le CD d'installation de l'application dans votre ordinateur, puis suivez les instructions à l'écran pour continuer l'installation.

Visitez le site ionaudio.com/ezvc afin de télécharger la toute dernière version du logiciel EZ Vinyl/Tape Converter, ou afin d'accéder au guide de dépannage ou d'obtenir de l'aide supplémentaire.

1. Une fois l'application EZ Vinyl/Tape Converter installée sur votre ordinateur, connectez le port USB du Max LP au port USB de votre ordinateur à l'aide du câble USB inclus.
2. Sur votre ordinateur, vous pouvez lancer l'application EZ Vinyl/Tape Converter en allant dans le menu **Démarrer ▶ Tous les programmes** (Windows) ou dans le menu **Applications** (Mac).
3. Suivez ensuite les instructions à l'écran afin de configurer l'enregistrement. Lorsque vous êtes invité à faire jouer votre musique, déplacez le bras de lecture du Max LP sur le disque afin de démarrer la lecture.

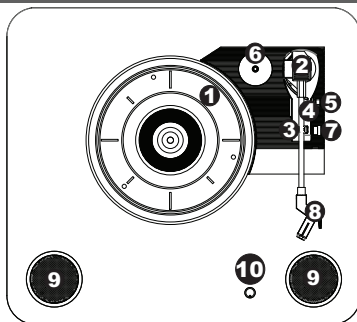
Remarque : Pour écouter un disque durant la lecture, vous pouvez utiliser les haut-parleurs de votre ordinateur, ou encore brancher les sorties RCA du Max LP à une chaîne stéréo ou à des haut-parleurs.

Le Max LP doit être branché à l'ordinateur afin que le logiciel EZ Vinyl/Tape Converter puisse passer à l'étape suivante.

4. Une fois l'enregistrement terminé, soulevez le bras de lecture et remettez-le sur le serre-bras.

Caractéristiques

1. **Plateau** – Veuillez placer le disque sur ce plateau.
2. **Bras de lecture*** – Le bras de lecture peut être lever ou baisser manuellement ou en utilisant le bouton du levier de commande. Veuillez noter que le bras de lecture doit être déplacé du support (sur le serre-bras) afin que le moteur de la platine soit activé. Lorsque le bras de lecture est à nouveau sur le support, le moteur se désactive. Lorsque le bras de lecture est à nouveau sur le support, le moteur du plateau s'arrête lorsque la fonction Autostop a été activée.
3. **Serre-bras** – Ce serre bras est conçu spécialement afin de maintenir en place le bras de lecture lorsque la platine n'est pas utilisée. Le serre-bras a été conçu pour rester en position élevée lorsqu'il est déverrouillé.
4. **Lever de commande** – Permet de lever ou d'abaisser le bras de lecture.
5. **Sélecteur de vitesse (33/45/78)** – Ce sélecteur régit la vitesse de rotation du plateau. Si le disque ne joue pas à la bonne vitesse, veuillez consulter la section *Dépannage* pour plus de détails sur la façon de résoudre ce problème.
IMPORTANT : Si la pointe de lecture de la platine tourne-disque est usée, veuillez en acheter une de rechange sur le site ionaudio.com/ict05rs. Si vous faites jouer des disques 78 tours, nous vous recommandons d'utiliser une pointe de lecture pour 78 tr/min, que vous trouverez sur le site ionaudio.com/ict06rs.
6. **Rangement Pour Adaptateur 45 Tr/Min** – Il permet de ranger l'adaptateur 45 tr/min lorsqu'il n'est pas utilisé. Lorsqu'il n'est pas utilisé, veuillez mettre l'adaptateur dans cet emplacement.
7. **Autostop** – Ce commutateur permet d'activer et de désactiver la fonction autostop. Lorsqu'elle est activée, le plateau commence à tourner dès que le bras de lecture est placé au-dessus du disque et s'arrête lorsque l'aiguille a atteint la fin du disque. (Lorsqu'elle est désactivée, le plateau tourne, peu importe l'emplacement du bras de lecture.)



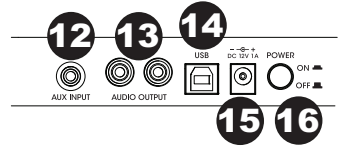
* **IMPORTANT:** Une cartouche/pointe de lecture peut être commandée en communiquant avec le service de pièces de rechange de ION Audio en composant le parts@ionaudio.com, ou en visitant ionaudio.com/products/accessories.

Remarque : Si le disque s'arrête avant la fin de la musique, désactivez la fonction Autostop pour ce disque. Ceci est généralement recommandé pour disques de 45 tours.

8. **Tête de lecture** – Tête de lecture ION avec cartouche céramique et pointe de lecture. Retirez le couvercle en plastique de la pointe de lecture avant de faire jouer un disque vinyle.
9. **Haut-parleurs** – Ceux-ci permettent d'écouter l'audio provenant du disque vinyle.
10. **Volume** – Ce bouton permet de contrôler la sortie audio des enceintes intégrées et de la sortie casque d'écoute.
11. **Sortie casque** – Branchez un casque d'écoute (vendus séparément) pour écouter l'audio provenant du disque vinyle.
12. **Entrée auxiliaire** – Branchez une autre source audio, telle qu'un lecteur de cassettes, à cette entrée stéréo 3,5 mm (1/8 po) afin de convertir numériquement l'audio via une connexion USB à l'ordinateur.
13. **Sortie RCA**** – L'audio provenant du disque vinyle est envoyé à cette sortie audio coaxiale à niveau ligne. Elle ne doit pas être branchée aux appareils phono. (Vous pouvez vous procurer un câble RCA chez un détaillant électronique local si vous n'en avez pas déjà.)
14. **Sortie audio USB** – Utilisez le câble USB inclus pour brancher la platine tourne-disque à un ordinateur. La connexion USB permet d'acheminer l'audio de la platine tourne disque à votre ordinateur. Veuillez consulter la section Utilisation du Max LP Avec un Ordinateur de ce manuel pour de plus amples informations.
15. **Entrée d'alimentation** – Utilisez le câble d'alimentation inclus pour brancher le Max LP dans une prise d'alimentation.
16. **Interrupteur d'alimentation** – Cette touche permet de mettre le Max LP sous et hors tension.

**** MISE EN GARDE:** Les sorties RCA sont à niveau ligne. Veuillez ne les brancher à des entrées à niveau ligne. Vous pourriez endommager votre récepteur si un appareil À NIVEAU LIGNE est branché à une entrée PHONO.

IMPORTANT: Retirez le couvercle de plastique de la cartouche (protège aiguille) avant d'utiliser la platine.



Guide de dépannage

Si vous éprouvez des difficultés, veuillez consulter les consignes de dépannage ci-dessous ainsi que celles dans le guide du EZ Vinyl/Tape Converter inclus avec ce produit.

Je n'entends pas de signal audio lors de l'enregistrement sur ordinateur :

- o Assurez-vous que le Max LP est allumé et que l'aiguille est bien sur le disque.
 - o Assurez-vous que le Max LP est sélectionné comme périphérique d'enregistrement par défaut de votre ordinateur (voir les instructions ci-dessous).
 - o Essayez de débrancher le câble USB branché au Max LP et à votre ordinateur, puis de le rebrancher. Veuillez vous assurer que le volume des haut-parleurs de l'ordinateur soit assez élevé et qu'il n'est pas en sourdine. Essayez d'augmenter le volume des haut-parleurs internes du Max LP en utilisant le réglage volume du panneau supérieur du Max LP.
 - o Si vous écoutez la musique via les haut-parleurs de votre ordinateur, assurez-vous que ces haut-parleurs sont sélectionnés comme dispositif de lecture par défaut de votre ordinateur (voir les instructions ci-dessous). Vous pourriez également brancher les sorties RCA du Max LP à une chaîne stéréo ou à des haut-parleurs. **Ne tentez pas** de les brancher à des entrées phono; les sorties RCA du Max LP sont à niveau ligne et pourraient endommager un appareil phono.
- (Remarque :** Les sorties RCA contrôlent le signal sortant de la platine tourne-disque, mais pas le signal provenant de votre ordinateur.)

Je n'entends pas de signal audio lors de la lecture :

- Si vous faites la lecture à partir d'un **vinyle** :
 - o Assurez-vous que le Max LP est allumé et que l'aiguille est bien sur le disque.
 - o Branchez les sorties RCA du Max LP à une chaîne stéréo ou à des haut-parleurs. (**Ne tentez pas** de les brancher à des entrées phono; les sorties RCA du Max LP sont à niveau ligne et pourraient endommager un appareil phono.)
 - o Veuillez vous assurer de régler le bouton volume sur la platine tourne-disque afin d'entendre le son à travers les haut-parleurs intégrés.
- Si vous faite la lecture à partir de votre **ordinateur** :
 - o Assurez-vous que le niveau du volume de l'application soit assez élevé.
 - o Assurez-vous que le niveau du volume de l'ordinateur soit assez élevé.
 - o Assurez-vous que les haut-parleurs de votre ordinateur soient sélectionnés comme dispositif de lecture par défaut de votre ordinateur (voir les instructions ci-dessous). (Le Max LP ne peut être utilisé comme périphérique de lecture pour votre ordinateur.)

Il y a un bourdonnement provenant de mon haut-parleur, ordinateur portable ou appareil iOS lorsque j'utilise la platine tourne-disque :

- Si vous enregistrez sur un ordinateur :
 - o Veuillez brancher l'ordinateur à un câble d'alimentation avec mise à la terre (3 broches).
- Si vous utilisez un haut-parleur :
 - o Veuillez vous assurer que vous utilisez bien l'adaptateur d'alimentation 12V 1A fourni avec votre produit.
 - o Si le volume est au maximum, essayez de le diminuer jusqu'à l'arrêt du ronflement.

Aucun son ne provient de ma platine tourne-disque, ou le son de la musique est étouffé :

- o Retirez le couvercle de la pointe de lecture.

La courroie de la platine tourne-disque s'est détachée :

- o Veuillez réinstaller la courroie sur la platine tourne-disque. Pour plus d'informations sur comment procéder, veuillez consulter le guide sur le site ionaudio.com/turntablebelt.

Le plateau ne tourne pas :

- o Veuillez vous assurer que la platine tourne-disque est sous tension (interrupteur à l'arrière).
- o Veuillez vous assurer que la fonction autostop est activée et que le bras de lecture est placé sur le disque (lorsque la fonction autostop est désactivée, le plateau devrait toujours tourner lorsqu'il est sous tension).
- o Si le plateau ne tourne toujours pas après avoir effectué les étapes ci-dessus, il se peut que vous deviez réinstaller la courroie du plateau. Pour plus d'informations sur comment procéder, veuillez consulter le guide sur le site ionaudio.com/turntablebelt.

Mon disque ne joue pas à la bonne vitesse, la tonalité est trop haute ou trop basse :

- o Veuillez vous assurer que le sélecteur de vitesse 33 / 45 / 78 est réglé sur la bonne vitesse pour votre disque.
- o Si le sélecteur de vitesse 33 / 45 / 78 est correctement réglé et que la vitesse n'est toujours pas bonne, procédez comme suit :
 1. Sur le dessous du Max LP, trouvez le pad en caoutchouc qui correspond à la vitesse que vous désirez modifier, et soulevez-le délicatement pour l'enlever.
 2. Pour le réglage des 45 tours et des 33 tours, introduisez un tournevis cruciforme dans le joint en caoutchouc et serrez/desserrez la vis pour ajuster la vitesse tr/min.
 3. Pour le réglage des 78 tours, serrez/desserrez la vis à l'aide d'un tournevis à tête plate.

Configuration de la carte son de l'ordinateur comme périphérique de lecture audio par défaut

- **Windows XP:** Cliquez sur **Démarrer** ► **Panneau de configuration** (ou **Paramètres** ► **Panneau de configuration** en Affichage classique) ► **Sons et périphériques audio**. Cliquez sur l'onglet **Audio** et sélectionnez la carte son de l'ordinateur comme périphérique de lecture audio par défaut.
- **Windows Vista:** Cliquez sur **Démarrer** ► **Panneau de configuration** (ou **Paramètres** ► **Panneau de configuration** en Affichage classique) ► **Matériel et audio** ► **Son**. Cliquez sur l'onglet **Lecture** et sélectionnez la carte son de l'ordinateur comme périphérique de lecture audio par défaut.
- **Windows 7:** Cliquez sur **Démarrer** ► **Panneau de configuration** ► **Son**. Cliquez sur l'onglet **Lecture** et sélectionnez la carte son de l'ordinateur comme périphérique de lecture audio par défaut.
- **Windows 8 :** Dans le menu **Démarrer**, cliquez sur le coin inférieur gauche de l'écran pour afficher le bureau. Dans le coin inférieur droit de la barre des tâches, recherchez l'icône de la commande de volume « haut-parleur ». Faites un clic droit sur l'icône du haut-parleur et sélectionnez **Périphériques de lecture**. L'onglet **Lecture** du panneau de configuration **Sons** doit apparaître comme étant configuré. Si la carte son de votre ordinateur ne dispose pas d'un crochet, faites un clic droit et sélectionnez **Définir comme périphérique par défaut**.
- **Mac:** Cliquez sur la pomme (logo Apple) située dans le coin supérieur gauche de l'écran et sélectionnez **Préférences Système** ► **Sons**. Cliquez sur l'onglet **Sortie**. À partir du menu, sélectionnez **Haut-parleurs internes** si vous utilisez les haut-parleurs internes de l'ordinateur, ou sélectionnez **Écouteurs** si vous utilisez des haut-parleurs ou un casque d'écoute branchés à la sortie casque (1/8 po) de votre ordinateur.

Configurez le Max LP comme l'appareil d'enregistrement par défaut

- **Windows XP:** Cliquez sur **Démarrer** ► **Panneau de configuration** (ou **Paramètres** ► **Panneau de configuration** en Affichage classique) ► **Sons et périphériques audio**. Cliquez sur l'onglet **Audio** et sous **Enregistrement audio** sélectionnez Périphérique audio USB PnP comme appareil par défaut.
- **Windows Vista:** Cliquez sur **Démarrer** ► **Panneau de configuration** (ou **Paramètres** ► **Panneau de configuration** en Affichage classique) ► **Matériel et audio** ► **Son**. Cliquez sur l'onglet **Enregistrement** et sélectionnez Périphérique audio USB comme appareil par défaut.
- **Windows 7:** Cliquez sur **Démarrer** ► **Panneau de configuration** ► **Son**. Cliquez sur l'onglet **Enregistrement** et sélectionnez Périphérique audio USB comme appareil par défaut.
- **Windows 8 :** Dans le menu **Démarrer**, cliquez sur le coin inférieur gauche de l'écran pour afficher le bureau. Dans le coin inférieur droit de la barre des tâches, recherchez l'icône de la commande de volume « haut-parleur ». Faites un clic droit sur l'icône du haut-parleur et sélectionnez **Périphériques de lecture**. Sélectionnez l'onglet **Enregistrement** dans le haut de la fenêtre du panneau de configuration **Son**. Si Périphérique audio USB PnP ne dispose pas d'un crochet, faites un clic droit et sélectionnez **Définir comme périphérique par défaut**.
- **Mac:** Cliquez sur la pomme (logo Apple) située dans le coin supérieur gauche de l'écran et sélectionnez **Préférences Système** ► **Sons**. Cliquez sur l'onglet **Entrée**. À partir du menu, sélectionnez Périphérique audio USB PnP comme appareil par défaut.

AVANT DE RETOURNER CE PRODUIT, veuillez communiquer avec le service technique de ION Audio pour de l'assistance.

Guida rapida (Italiano)

Introduzione

Assicurarsi che gli elementi elencati di seguito siano contenuti nella confezione:

- Max LP
- Adattatore di alimentazione
- Coperchio antipolvere
- Cavo USB
- Cavo di ingresso aux
- Tappetino in feltro
- Adattatore 45 giri
- CD recante il software
- Guida rapida
- Istruzioni di sicurezza e garanzia

LEGGERE ATTENTAMENTE IL LIBRETTO DI ISTRUZIONI PRIMA DI UTILIZZARE IL PRODOTTO

Assistenza

- Per conoscere i requisiti di sistema completi, ottenere informazioni in merito alla compatibilità e per la registrazione del prodotto, recarsi al sito Web di ION: ionaudio.com
- Per conoscere le ultime informazioni in merito a questo prodotto, recarsi alla pagina ionaudio.com/maxlp
- Per ulteriore assistenza, recarsi alla pagina ionaudio.com/support
- Per informazioni sulla sicurezza/garanzia, recarsi alla pagina ionaudio.com/warranty

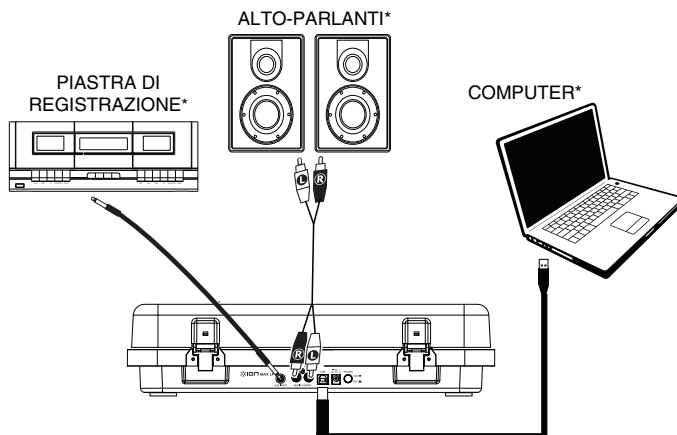
Collegamento del coperchio antipolvere al Max LP

Per fissare il coperchio antipolvere in dotazione, procedere come segue:

1. Allineare il coperchio antipolvere alle cerniere del pannello posteriore dei giradischi.
2. Fissarlo alle cerniere, premendo verso il basso per farlo scattare in posizione.

Schema dei collegamenti

Poiché il Max LP ha altoparlanti incorporati, non è necessario collegare altoparlanti per ascoltare i propri vinili. Ciò nonostante, se si desidera collegare i propri altoparlanti, seguire lo schema seguente.



*Venduti separatamente

Uso del Max LP con il computer

Riproduzione

Ci sono 3 modi per ascoltare i propri dischi in vinile con il Max LP:

1. Si può ascoltare la musica servendosi semplicemente degli altoparlanti interni del Max LP.
2. Se invece si preferisce utilizzare i propri altoparlanti stereo, è possibile collegare le uscite RCA del Max LP a un impianto stereo o agli altoparlanti Non collegarli a ingressi a livello phono; le uscite RCA del Max LP sono a livello di linea e potrebbero danneggiare un dispositivo dotato di ingressi a livello phono (qualsiasi altro tipo di ingresso standard quale CD, Aux In o Tape è accettabile).
3. Si può procedere all'ascolto tramite gli altoparlanti del computer o con delle cuffie collegate al computer, una volta che il dispositivo di ingresso della scheda audio del computer è stato impostato su *USB PnP Audio Device* o *USB Audio Device*, a seconda del proprio sistema operativo (Windows (USB PnP Audio Device su Mac OS X) e che si sta registrando-monitorando l'audio utilizzando l'EZ Vinyl/Tape Converter o un software simile (il Max LP non può essere utilizzato come dispositivo di riproduzione dell'audio del computer). Si veda il paragrafo *"Impostazione della scheda audio del computer quale dispositivo di riproduzione predefinito"* per maggiori dettagli su come configurare la riproduzione audio.

Registrazione

Per registrare musica sul computer, è possibile utilizzare l'ION EZ Vinyl/Tape Converter. L'EZ Vinyl/Tape Converter rende facile trasformare la propria musica in file digitali. Una volta terminato di convertire il vinile, lo si può masterizzare su un CD o caricare su i dispositivi media portatili.

Per installare il software, inserire il CD in dotazione nel computer e seguire le istruzioni su schermo.

Recarsi alla pagina ionaudio.com/ezvc per scaricare l'ultima versione dei software EZ Vinyl/Tape Converter oppure per ottenere un'utile guida alla risoluzione dei problemi o ulteriore assistenza.

1. Una volta installato l'EZ Vinyl/Tape Converter sul computer, servirsi del cavo USB in dotazione per collegare la porta USB del Max LP ad una porta USB disponibile del computer.
2. Sul computer, è possibile aprire l'EZ Vinyl/Tape Converter recandosi su **Start ► Tutti i programmi (Windows)** o su **Applicazioni (Mac)**.
3. Seguire le istruzioni su schermo per configurare la registrazione. Quando viene richiesto di riprodurre la musica, muovere il braccio del Max LP sul disco per iniziare la riproduzione.

Nota bene: per ascoltare un disco mentre viene riprodotto, servirsi degli altoparlanti del computer o collegare le uscite RCA del Max LP a un impianto stereo o a delle casse. Il Max LP deve essere collegato al computer affinché l'EZ Vinyl/Tape Converter avanzi alla fase successiva.

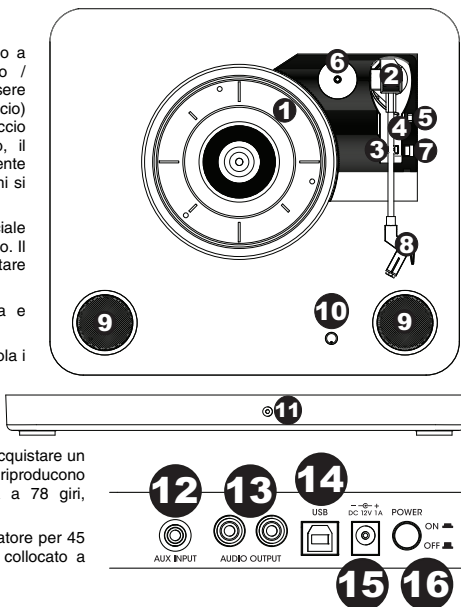
4. Una volta terminato di registrare, alzare il braccio del Max LP dal disco e riportarlo sul poggibraccio.

Caratteristiche

1. **Piatto** – Il disco va collocato qui.
2. **Braccio*** – Il braccio può essere alzato e abbassato a mano, Max premendo la levetta di sollevamento / abbassamento. Va notato che il braccio deve essere allontanato dalla posizione di riposo (sul fermabraccio) affinché il motore dei giradischi si attivi. Quando il braccio viene nuovamente collocato in posizione di riposo, il motore si disattiva. Quando il braccio viene nuovamente collocato in posizione di riposo, il motore dei giradischi si disattiva se l'Autostop è stato acceso.
3. **Fermabraccio** – Questo fermabraccio dal design speciale fissa il braccio quando è a riposo o quando non è in uso. Il fermabraccio è stato progettato in modo da restare sollevato quando sbloccato.
4. **Levetta di sollevamento / abbassamento** – Alza e abbassa il braccio.
5. **Interruttore 33 / 45 / 78 giri** – Questo interruttore regola i GIRI del piatto dei giradischi.
Se il disco non viene riprodotto alla giusta velocità, si veda il paragrafo *Risoluzione di problemi* per maggiori dettagli su come risolvere la questione.

IMPORTANTE: se la puntina del giradischi si usura, acquistare un ricambio alla pagina ionaudio.com/ict05rs. Se si riproducono dischi a 78 giri, consigliamo l'uso di una puntina a 78 giri, acquistabile alla pagina ionaudio.com/ict06rs.

6. **Supporto Adattatore 45 Giri** – Regge l'incluso adattatore per 45 giri. Quando l'adattatore non è in uso, può essere collocato a questo livello.



7. **Interruttore Autostop** – Questo interruttore accende o spegne la funzione di arresto automatico. Quando la funzione "autostop" è attiva, il piatto inizia a girare quando il braccio è posato sul disco e smette di girare quando il disco arriva alla fine. (Quando la funzione autostop è disattiva, il piatto continuerà a girare, indipendentemente dalla posizione del braccio.)
Nota bene: Se il vinile si ferma prima di raggiungere la fine della musica, spegnere la funzione Autostop per quel particolare disco. Di solito, ciò è consigliato per i dischi a 45 giri.
8. **Fonorivelatore** – Fonorivelatore ION con cartuccia di ceramic e puntina. Rimuovere il coperchio di plastica dalla puntina prima di riprodurre un disco.
9. **Altoparlanti** – Per ascoltare l'audio del disco in vinile riprodotto.
10. **Volume** – Controlla il livello dell'uscita audio degli altoparlanti interni e dell'uscita cuffie.
11. **Jack cuffie** – Collegare le cuffie (vendute separatamente) a questo livello per ascoltare la riproduzione dei propri vinili.
12. **Ingresso Aux** – Collegare un'altra fonte audio, ad esempio nastri per cassette, a questo ingresso stereo da 1/8" (3,5 mm) per convertire digitalmente la fonte tramite un collegamento USB al computer.
13. **Uscita RCA**** – L'audio di un vinile riprodotto è inviato a questa uscita audio coassiale a livello di linea. Questa non va collegata a dispositivi a livello phono. (Se ancora non si dispone di un cavo RCA, questo può essere trovato presso un rivenditore locale di elettronica.)
14. **Uscita Audio USB** – Servirsi del cavo USB in dotazione per collegare il giradischi al computer. Il collegamento USB invierà audio dal giradischi al computer. Si veda il paragrafo **Uso del Max LP col computer** di questo manuale per maggiori informazioni.
15. **Power** – Servirsi dell'adattatore in dotazione per collegarsi ad una presa a parete.
16. **Interruttore di alimentazione** – Premere questo tasto per accendere o spegnere il Max LP.

IMPORTANTE: rimuovere il cappuccio della cartuccia (copripuntina) prima di utilizzare il giradischi.

* **IMPORTANTANTE:** una cartuccia/puntina di ricambio può essere acquistata contattando il reparto parti di ricambio di ION Audio al parts@ionaudio.com, o visitando la pagina ionaudio.com/products/accessories.

****AVVERTENZA:** le uscite RCA sono a livello di LINEA. Collegarle unicamente a ingressi a livello di LINEA. Si rischia di danneggiare il ricevitore collegando un dispositivo a livello di LINEA in un ingresso PHONO.

Risoluzione di problemi

In caso di problemi, fare riferimento alle fasi di risoluzione dei problemi indicate qui di seguito, nonché a quanto indicato nel manuale dell'EZ Vinyl/Tape Converter in dotazione con il presente prodotto.

Non sento alcun audio durante la registrazione di musica su un computer:

- Assicurarsi che il Max LP sia acceso e che la puntina sia sul disco.
- Assicurarsi che sia selezionato come periferica di registrazione predefinita del computer (si vedano le istruzioni qui di seguito).
- Scollegare e ricollegare inoltre il cavo USB che unisce il Max LP al computer. Assicurarsi che gli altoparlanti del computer siano accesi e che il volume non sia silenziato. Provare ad alzare il volume degli altoparlanti incorporati del Max LP servendosi della manopola di regolazione del volume presente a livello del pannello superiore del Max LP.
- Se si ascolta tramite le casse del computer, assicurarsi che queste siano selezionate come periferica di riproduzione predefinita del computer (si vedano le istruzioni qui di seguito).
Alternativamente, collegare le uscite RCA del Max LP ad un impianto stereo o ad altoparlanti.
Non collegarle a ingressi a livello phono: le uscite RCA del Max LP sono a livello di linea e potrebbero danneggiare un dispositivo con ingressi a livello phono.
(Nota bene: le uscite RCA monitorano il segnale che esce dal giradischi, non quello proveniente dal computer.)

Non sento alcun audio durante la riproduzione di musica:

- Se si riproduce musica da **vinile**:
 - Assicurarsi che il Max LP sia acceso e che la puntina sia sul disco.
 - Collegare le uscite RCA del Max LP ad un impianto stereo o ad altoparlanti.
(Non collegarle a ingressi a livello phono: le uscite RCA del Max LP sono a livello di linea e potrebbero danneggiare un dispositivo con ingressi a livello phono.)
 - Regolare la manopola del volume sul giradischi per sentire il disco suonare tramite gli altoparlanti incorporati.
- Se si riproduce musica dal **computer**:
 - Assicurarsi che il volume del lettore musicale software sia acceso.
 - Assicurarsi che il volume del computer sia acceso.
 - Assicurarsi che le casse del computer siano selezionate come periferica di riproduzione predefinita del computer (si vedano le istruzioni qui di seguito). (il Max LP non può essere utilizzato come periferica di riproduzione per l'audio del computer.)

Durante l'uso dei giradischi sento un ronzio tramite l'altoparlante o il portatile.

- Se si sta registrando su un computer portatile:
 - collegare il computer ad un'alimentazione con messa a terra (3 denti)
- Se si sta riproducendo musica con un altoparlante:
 - Assicurarsi di utilizzare l'adattatore di alimentazione da 12V 1A incluso con il prodotto.
 - Se il volume è al massimo, provare ad abbassarlo fino a quando il ronzio non cessa.

Il giradischi non emette alcun suono o la musica è ovattata:

- Togliere il coperchio dalla puntina.

La cinghia del giradischi è caduta:

- Fissare nuovamente la cinghia al giradischi. Per maggiori dettagli su come eseguire questa operazione, si veda la guida all'indirizzo ionaudio.com/turntablebelt.

Il giradischi non gira:

- Assicurarsi che il giradischi sia acceso (interruttore di alimentazione sul retro dell'apparecchio).
- Assicurarsi che la funzione autostop sia accesa e che il braccio sia posizionato sul disco (se l'autostop è spento deve girare sempre quando l'alimentazione è accesa).
- Se quanto sopra non è di aiuto, può essere necessario ricollegare la cinghia del giradischi. Per maggiori dettagli su come eseguire questa operazione, si veda la guida all'indirizzo ionaudio.com/turntablebelt.

Il mio disco non suona alla giusta velocità; il pitch è troppo alto o troppo basso:

- Assicurarsi che l'interruttore 33 / 45 / 78 sia impostato sulla velocità giusta per il disco specifico.
- Se l'interruttore 33 / 45 / 78 è impostato correttamente e la velocità è ancora leggermente errata, procedere come segue:
 1. Sul lato inferiore del Max LP trovare il pad in gomma con la velocità in giri che si desidera regolare e sollevarlo delicatamente per rimuoverlo.
 2. Per l'impostazione a 45 e 33 giri, spingere il sigillo di gomma e stringere/allentare la vite utilizzando un cacciavite a croce per affinare la velocità in numero di giri.
 3. Per l'impostazione a 78 giri, stringere/allentare la vite servendosi di un cacciavite dalla testa piatta.

Configurazione della scheda audio del computer come dispositivo di riproduzione predefinito

- **Windows XP:** Cliccare su **Start ► Pannello di controllo** (o **Impostazioni ► Pannello di controllo** in visualizzazione classica) ► **Suoni e periferiche audio**. Cliccare sulla scheda **Audio** e sotto **Riproduzione audio**, selezionare la scheda audio del computer come periferica predefinita.
- **Windows Vista:** Cliccare su **Start ► Pannello di controllo** (o **Impostazioni ► Pannello di controllo** in visualizzazione classica) ► **Hardware e suoni ► Audio**. Cliccare sulla scheda **Riproduzione** e selezionare la scheda audio del computer come periferica predefinita.
- **Windows 7:** Cliccare su **Start ► Pannello di controllo ► Audio**. Cliccare sulla scheda **Riproduzione** e selezionare la scheda audio del computer come periferica predefinita.
- **Windows 8:** Nel menu **Start**, cliccare sull'angolo inferiore sinistro dello schermo per passare al Desktop. Nell'angolo inferiore destro della Barra delle applicazioni, individuare l'icona "Speaker" di controllo del Volume. Fare click col tasto destro del mouse e selezionare **Dispositivi di riproduzione**. Il pannello di controllo **Audio di Windows** dovrebbe comparire sulla scheda **Riproduzione**. Se la scheda audio del computer non presenta un segno di spunta verde, fare click col destro e selezionare **Imposta come dispositivo predefinito**.
- **Mac:** Cliccare sull'icona della "mela" in alto a sinistra, quindi cliccare su **Preferenze di sistema ► Audio**. Cliccare sulla scheda **Output**. Nel menu, selezionare **Internal Speakers** se si utilizzano le casse interne del computer o **Cuffie** se si utilizzano casse o cuffie collegate all'uscita cuffie da 1/8" del computer.

Configurare il Max LP come dispositivo di registrazione predefinito

- **Windows XP:** Cliccare su **Start ► Pannello di controllo** (o **Impostazioni ► Pannello di controllo** in visualizzazione classica) ► **Suoni e periferiche audio**. Cliccare sulla scheda **Audio** e sotto **Registrazione audio**, selezionare Dispositivo audio PnP USB come periferica predefinita.
- **Windows Vista:** Cliccare su **Start ► Pannello di controllo** (o **Impostazioni ► Pannello di controllo** in visualizzazione classica) ► **Suoni e periferiche audio**. Cliccare sulla scheda **Registrazione** e selezionare Dispositivo audio USB come periferica predefinita.
- **Windows 7:** Cliccare su **Start ► Pannello di controllo ► Audio**. Cliccare sulla scheda **Registrazione** e selezionare Dispositivo audio USB come periferica predefinita.
- **Windows 8:** Nel menu **Start**, cliccare sull'angolo inferiore sinistro dello schermo per passare al Desktop. Nell'angolo inferiore destro della Barra delle applicazioni, individuare l'icona "Speaker" di controllo del Volume. Fare click col tasto destro del mouse e selezionare **Dispositivi di riproduzione**. Nel pannello di controllo **Audio di Windows** selezionare la scheda **Registrazione**. Se il Mac Dispositivo audio PnP USB non presenta un segno di spunta verde, fare click col destro e selezionare **Imposta come dispositivo predefinito**.
- **Mac:** Cliccare sull'icona della "mela" in alto a sinistra, quindi cliccare su **Preferenze di sistema ► Audio**. Fare clic sulla scheda **Input**. Dal menu, selezionare Dispositivo audio PnP USB come periferica.

PRIMA DI RENDERE QUESTO PRODOTTO, contattare ION Audio per ricevere assistenza tecnica.

Kurzanleitung (Deutsch)

Einführung

Vergewissern Sie sich, dass alle hier angeführten Komponenten in der Schachtel enthalten sind:

- Max LP
- Netzteil
- Staubabdeckung
- USB-Kabel
- Aux-Eingangskabel
- Filz-Slipmat
- 45 RPM Adapter
- Software-CD
- Kurtzanleitung
- Sicherheitshinweise und Garantieinformationen

LESEN SIE DIE SICHERHEITSHINWEISE, BEVOR SIE DAS PRODUKT VERWENDEN.

Kundendienst

- Für die vollständigen Systemanforderungen, Kompatibilitätsdetails und die Registrierung Ihres Produkts besuchen Sie bitte die ION Website: ionaudio.com
- Die neuesten Informationen zu diesem Produkt finden Sie auf ionaudio.com/maxlp
- Für zusätzlichen Produkt-Support besuchen Sie ionaudio.com/support
- Für Informationen zur Sicherheit/Garantie, besuchen Sie ionaudio.com/warranty

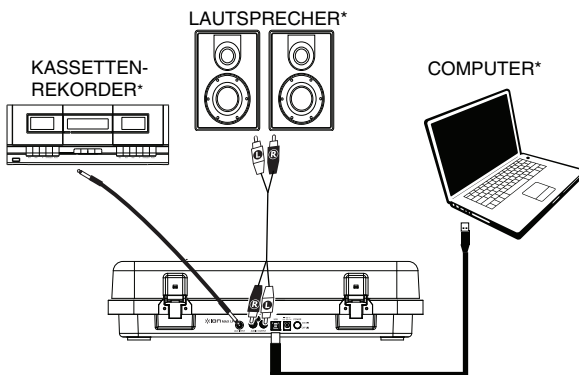
So montieren Sie die Staubabdeckung am Max LP

Um die mitgelieferte Staubabdeckung zu befestigen, gehen Sie folgendermaßen vor:

1. Richten Sie die Staubabdeckung auf die hinteren Scharniere des Plattenspielers aus.
2. Befestigen Sie die Staubabdeckung an den Scharnieren, indem Sie nach unten drücken bis sie einrasten.

Anschlüssübersicht

Da Max LP über eingebaute Lautsprecher verfügt, ist es nicht notwendig, Lautsprecher anschließen, um Ihre Vinyl-Schallplatten anzuhören. Wenn Sie jedoch Ihre eigenen Lautsprecher anschließen möchten, werfen Sie einen Blick auf die folgende Abbildung.



* Separat erhältlich

So verwenden Sie Max LP mit Ihrem Computer

Wiedergabe

Es gibt 3 Möglichkeiten, um Ihre Schallplatten mit Max LP anzuhören:

1. Sie können Ihre Musik einfach über die internen Lautsprecher des Max LP anhören.
2. Wenn Sie Ihre eigenen Stereo-Lautsprecher verwenden möchten, können Sie die Max LP Cinch-Ausgänge mit einer Stereoanlage oder Aktivlautsprechern verbinden. Verbinden Sie sie nicht mit Phono-Eingängen; Die Cinch-Ausgänge des Max LP sind Line-Verbindungen und könnten ein Gerät mit Phono-Eingängen beschädigen. (Jeder andere standardmäßige Eingangstypus wie CD, Aux In oder Tape ist akzeptabel).
3. Sie können Ihre Platten über Ihre Computer-Lautsprecher oder über an den Computer angeschlossene Kopfhörer hören sobald das Eingabegerät Ihrer Computer-Soundkarte auf *USB PnP Audio Device* oder *USB-Audiogerät eingestellt wurde*, je nach Windows-Betriebssystem (USB PnP-Audiogerät auf Mac OS X) und nachdem eingestellt wurde, dass das Monitoring der Audiosignale über EZ Vinyl/Tape Converter oder eine ähnliche Software vorgenommen wird (Max LP kann nicht als Wiedergabegerät für Audiosignale des Computers verwendet werden.). Siehe Abschnitt *Einstellen Ihrer Computer-Soundkarte als Standard-Wiedergabegerät* für weitere Details, wie die Soundwiedergabe konfiguriert werden kann.

Aufnahme

Sie können den ION EZ Vinyl/Tape Converter verwenden, um Musik mit Ihrem Computer aufzunehmen. Mit EZ Vinyl/Tape Converter ist es ganz einfach, Ihre Musik in digitale Dateien zu verwandeln. Nachdem Sie Ihre Schallplatten konvertiert haben, können Sie sie auf CD brennen oder auf tragbare Mediengeräte laden.

Besuchen Sie ionaudio.com/ezvc, um die neueste Version der EZ Vinyl/Tape Converter Software herunter zu laden oder um eine hilfreiche Anleitung zur Fehlerbehebung und zusätzliche Unterstützung zu erhalten.

Zur Installation der Software legen Sie einfach die mitgelieferte CD in Ihren Computer ein und folgen den Anweisungen auf dem Bildschirm.

1. Wenn Sie EZ Vinyl/Tape Converter auf Ihrem Computer installiert haben, verwenden Sie das mitgelieferte USB-Kabel, um den USB-Port des Max LP mit einem freien USB-Port Ihres Computers zu verbinden.
2. Um EZ Vinyl/Tape Converter auf Ihrem Computer zu öffnen, wählen Sie **Startmenü > Alle Programme** (Windows) oder das **Anwendungen-Menü** (Mac).
3. Befolgen Sie die Anweisungen auf dem Bildschirm, um Ihre Aufnahme vorzubereiten. Wenn Sie aufgefordert werden, Ihre Musik zu spielen, bringen Sie den Tonarm des Max LP über die Platte und starten die Wiedergabe.

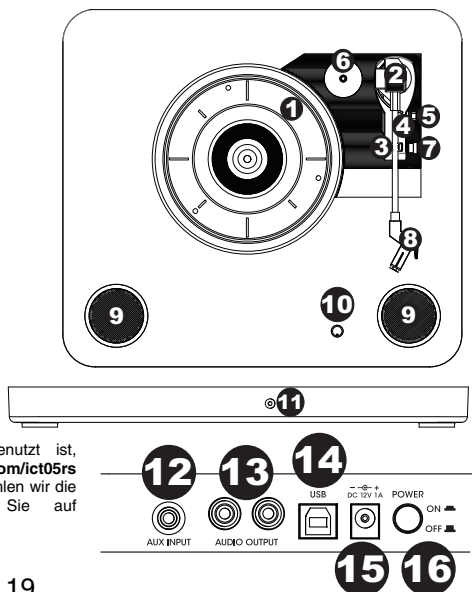
Hinweis: Um sich eine Platte während der Wiedergabe anzuhören, können Sie die Lautsprecher Ihres Computers verwenden oder die Cinch-Ausgänge des Max LP an eine Stereoanlage oder Aktivlautsprecher anschließen. Max LP muss mit dem Computer verbunden sein, damit Sie mit EZ Vinyl/Tape Converter zum nächsten Schritt übergehen können.

4. Wenn Sie die Aufnahme beendet haben, heben Sie den Max LP-Tonarm von der Platte und setzen ihn zurück in den Arm-Clip.

Funktionen

1. **Plattenteller** – Hier platzieren Sie Ihre Schallplatte.
2. **Tonarm*** – Der Tonarm kann mit der Hand oder durch Drücken des entsprechenden Hebels angehoben und abgesenkt werden. Bitte beachten Sie, dass der Tonarm aus der Ruhestellung (auf dem Arm-Clip) entfernt werden muss, damit der Drehtellermotor aktiviert wird. Wenn der Tonarm wieder in seine Ruhestellung gebracht wird, schaltet sich der Motor des Drehtellers aus. Wenn Autostop aktiviert ist und der Tonarm wieder in seine Ruhestellung gebracht wurde, schaltet sich der Motor des Drehtellers aus.
3. **Arm-Clip** – Dieser speziell entworfene Arm-Clip sichert den Tonarm, wenn er nicht verwendet wird. Der Arm-Clip wurde so entwickelt, dass er in der oberen Position bleibt, wenn er entsperrt ist.
4. **Hebel** – Hebt und senkt den Tonarm.
5. **33 / 45 / 78 RPM-Schalter** – Regelt die Geschwindigkeit (RPM) des Plattentellers. Wenn die Schallplatte nicht mit der richtigen Geschwindigkeit abgespielt wird, lesen Sie den Abschnitt *Fehlersuche* für Lösungen.

WICHTIG: Wenn das Tonabnehmersystem abgenutzt ist, können Sie ein Ersatzprodukt auf ionaudio.com/ict05rs erwerben. Wenn Sie 78 RPM Platten spielen, empfehlen wir die Verwendung einer 78 RPM Nadel, die Sie auf ionaudio.com/ict06rs erwerben können.



6. **45 RPM-Adapterhalterung** – Sichert den mitgelieferten 45 RPM-Adapter. Wenn Sie den Adapter nicht verwenden, legen Sie ihn bitte in diese Haltevorrichtung.
7. **Autostop-Schalter** – Dieser Schalter schaltet Autostop an oder aus. Wenn Autostop eingeschaltet ist, wird der Plattenteller zu rotieren beginnen, sobald der Tonarm über die Schallplatte gelegt wird und stoppen, wenn die Platte das Ende erreicht hat. (Wenn Autostop ausgeschaltet ist, wird sich der Plattenteller immer und unabhängig von der Position des Tonarms drehen.)

WICHTIG: Entfernen Sie die Kunststoffabdeckung des Tonabnehmers (Nadelabdeckung) bevor Sie den Plattenspieler verwenden.

* **WICHTIG:** Ein(e) Tonabnehmer/Nadel kann bei der ION Audio-Ersatzteilabteilung unter der parts@ionaudio.com erworben werden. Wahlweise können Sie auch ionaudio.com/products/accessories besuchen

Hinweis: Wenn Ihre Schallplatte stoppt, bevor sie das Ende des Songs erreicht hat, bringen Sie Autostop für diese spezielle Schallplatte in die Position AUS. Dies wird in der Regel auch für 45 RPM Schallplatten empfohlen.

8. **Tonabnehmerkopf** – Der ION Tonabnehmerkopf mit Keramisch-Tonabnehmer und Nadel. Entfernen Sie die Kunststoffabdeckung von der Nadel bevor Sie eine Platte abspielen.
9. **Lautsprecher** – Hören Sie die Musik Ihrer gespielten Schallplatte.
10. **Lautstärke** – Regelt den Audio-Ausgangspegel der internen Lautsprecher und des Kopfhörerausgangs.
11. **Kopfhörerbuchse** - Schließen Sie Kopfhörer an (separat erhältlich), um Ihre Schallplatten anzuhören.
12. **Aux-Eingang** - Schließen Sie eine andere Audioquelle, z.B. einen Kassettenrekorder, an diesen 1/8" (3,5 mm)-Stereoingang an, um die Quelle digital über einen USB-Anschluss auf einen Computer zu konvertieren.
13. **Cinch-Ausgang**** – Die Audiosignale von einer Vinyl-Schallplatte, die gerade abgespielt wird, wird an diesen Line-Level-Koaxial-Ausgang gesendet. Dieser darf nicht mit Phono-Level-Geräten verbunden werden. (Wenn Sie kein Cinch-Kabel haben, können Sie dies beim lokalen Elektronikfachhändler erwerben.)
14. **USB-Audioausgang** – Schließen Sie Ihren Plattenspieler mit dem mitgelieferten USB-Kabel an Ihren Computer an. Die USB-Verbindung sendet das Audiosignal vom Plattenspieler an Ihren Computer. Bitte beachten Sie den Abschnitt **So Verwenden Sie Max LP Mit Ihrem Computer** in diesem Handbuch für weitere Informationen.
15. **Stromversorgung** – Verwenden Sie den mitgelieferten Adapter, um ihn mit einer Steckdose zu verbinden.
16. **Ein-/Ausmacher** – Drücken Sie diese Taste, um Max LP ein- oder auszuschalten.

** **WARNUNG:** Die Cinch-Ausgänge sind line-pegel. Bitte nur verbinden um line-pegel Eingängen. Sie könnten beschädigen Ihre Empfänger wenn Sie Verbindung Die Cinch-Ausgänge des Max LP sind zu einem Phono-Eingängen.

Fehlerbehebung

Wenn Sie Schwierigkeiten mit dem Produkt haben, lesen Sie bitte die unten aufgeführten Schritte zur Fehlerbehebung und das mitgelieferte EZ Vinyl/Tape Converter Handbuch.

Ich höre keinen Ton beim Aufnehmen von Musik auf einen Computer:

- o Stellen Sie sicher, dass Max LP eingeschaltet und die Nadel auf der Schallplatte ist.
- o Stellen Sie sicher, dass Max LP in Ihrem Computer als standardmäßiges Aufnahmegerät ausgewählt ist (siehe Anleitung unten).
- o Stecken Sie auch das USB-Kabel, das den Max LP mit Ihrem Computer verbindet, zuerst ab und anschließend wieder ein. Stellen Sie sicher, dass die Computer-Lautsprecher eingeschaltet sind und die Lautstärke nicht stummgeschaltet ist. Versuchen Sie, die Lautstärke der eingebauten Lautsprecher mit dem Lautstärkeregel auf der Oberseite des Max LP zu erhöhen.
- o Wenn Sie die Lautsprecher Ihres Computers verwenden, stellen Sie sicher, dass diese Lautsprecher als standardmäßige Wiedergabe-Geräte Ihres Computer ausgewählt sind (siehe Anleitung unten). Alternativ können Sie die Cinch-Ausgänge des Max LP an eine Stereoanlage oder an Aktivlautsprecher anschließen. Verbinden Sie sie **nicht** mit Phono-Eingängen; Die Cinch-Ausgänge des Max LP sind Line-Verbindungen und könnten ein Gerät mit Phono-Eingängen beschädigen. (Hinweis: Die Cinch-Ausgänge überwachen das Signal vom Plattenspieler, nicht das Signal Ihres Computers.)

Ich kann bei der Musikwiedergabe nichts hören:

- Wenn Sie Vinylplatten spielen:
 - o Stellen Sie sicher, dass Max LP eingeschaltet und die Nadel auf der Schallplatte ist.
 - o Verbinden Sie die Cinch-Ausgänge des Max LP mit einer Stereoanlage oder mit Aktivlautsprechern. (Verbinden Sie sie **nicht** mit Phono-Eingängen; Die Cinch-Ausgänge des Max LP sind Line-Verbindungen und könnten ein Gerät mit Phono-Eingängen beschädigen.)
 - o Stellen Sie den Lautstärkeregel am Plattenteller so ein, dass Sie die Wiedergabe Ihrer Platten durch die eingebauten Lautsprecher hören können.
- Wenn Sie Musik von Ihrem Computer spielen:
 - o Achten Sie darauf, dass die Lautstärke Ihres Musik-Players aufgedreht ist.
 - o Achten Sie darauf, dass die Lautstärke Ihres Computers aufgedreht ist.
 - o Achten Sie darauf, dass die Lautsprecher Ihres Computers als standardmäßiges Wiedergabe-Gerät für Ihren Computer ausgewählt sind (siehe Anleitung unten). (Max LP kann nicht als Abspielgerät für Audio Ihres Computers verwendet werden.)

Wenn ich den Plattenspieler verwende, höre ich ein Summen durch meine Lautsprecher, oder meinen Laptop

- Wenn Sie mit einem Laptop aufnehmen:
 - Bitte verbinden Sie den Laptop an eine geerdete Stromquelle (3 polig)
- Wenn Sie über einen Lautsprecher spielen:
 - Stellen Sie sicher, dass Sie das 12V 1A Netzteil verwenden, das mit Ihrem Produkt ausgeliefert wurde.
 - Wenn Sie die maximale Lautstärke eingestellt haben, versuchen Sie die Lautstärke zu reduzieren, bis das Brummgeräusch verschwindet.

Mein Plattenspieler gibt keinen Ton aus bzw. der Ton klingt dumpf:

- Entfernen Sie die Abdeckung von der Nadel.

Der Riemen des Plattenspielers hat sich gelöst:

- Bitte bringen Sie den Riemen wieder am Plattenteller an. Eine genaue Anleitung dazu erhalten Sie auf ionaudio.com/turntablebelt.

Mein Plattenspieler dreht sich nicht:

- Stellen Sie sicher, dass der Plattenspieler eingeschaltet ist (Netzschalter auf der Rückseite).
- Stellen Sie sicher, dass Autostop eingeschaltet ist und der Tonarm über der Schallplatte positioniert wurde (wenn die Funktion Autostop ausgeschaltet ist, sollte sich der Plattenteller immer drehen, wenn er eingeschaltet ist).
- Wenn die oben genannten Schritte nicht helfen, müssen Sie den Riemen des Plattenspielers wieder anbringen. Einzelheiten darüber entnehmen Sie der Anleitung auf ionaudio.com/turntablebelt.

Meine Schallplatte wird nicht mit der richtigen Geschwindigkeit wiedergegeben. Die Tonlage ist zu hoch oder zu tief:

- Stellen Sie sicher, dass der 33/45/78-Schalter für diese Schallplatte auf die entsprechende Geschwindigkeit eingestellt ist.
- Wenn der 33/45/78-Schalter richtig eingestellt ist, aber die Geschwindigkeit immer noch nicht ganz stimmt, gehen Sie folgendermaßen vor:
 1. Heben Sie das Gummipolster mit der anzupassenden RPM-Geschwindigkeit auf der Unterseite des Max LP ab, um es zu entfernen.
 2. Drücken Sie die Gummidichtung durch. Ziehen Sie die Schraube fester an oder lösen Sie die Schraube etwas mit einem Kreuzschlitzschraubendreher, um die RPM-Geschwindigkeiten (45 und 33) genau abzustimmen.
 3. Für die Einstellung 78 RPM ziehen Sie die Schraube fester an oder lösen Sie die Schraube etwas mit einem flachen Schraubendreher.

So stellen Sie die Soundkarte ihres Computers als Standard-Wiedergabegerät ein.

- **Windows XP:** Klicken Sie auf **Startmenü • Systemsteuerung** (oder Einstellungen • Systemsteuerung in der klassischen Ansicht) • **Sound und Audiogeräte**. Klicken Sie auf die Registerkarte **Audio** und wählen unter **Soundwiedergabe** Ihre Computer-Soundkarte als Standardgerät.
- **Windows-Vista:** Klicken Sie **Startmenü • Systemsteuerung** (oder Einstellungen • Systemsteuerung in der klassischen Ansicht) • **Hardware und Sound • Ton**. Klicken Sie auf die Registerkarte **Wiedergabe** und wählen Sie Ihre Computer-Soundkarte als Standardgerät aus.
- **Windows 7:** Wählen Sie **Startmenü • Systemsteuerung • Ton**. Klicken Sie auf die Registerkarte **Wiedergabe** und wählen Sie Ihre Computer-Soundkarte als Standardgerät aus.
- **Windows 8:** Klicken Sie im **Startmenü** auf die linke untere Ecke des Bildschirms, um zum Desktop zu gelangen. Klicken Sie in der rechten unteren Ecke der Taskleiste auf das "Lautsprechersymbol". Klicken Sie mit der rechten Maustaste auf den Lautsprecher und wählen **Wiedergabegeräte**. Die Windows-Systemsteuerung für **Sound** sollte nun unter der Registerkarte **Wiedergabe** aufscheinen. Wenn neben der Soundkarte Ihres Computers kein grünes "Häkchen"-Symbol aufscheint, klicken Sie mit der rechten Maustaste auf die Soundkarte und wählen **Als Standardgerät festlegen**.
- **Mac:** Klicken Sie auf das obere linke "Apfel"-Symbol und klicken dann auf **Systemeinstellungen • Ton**. Klicken Sie auf die Registerkarte **Ausgabe**. Aus dem Menü wählen Sie **Interne Lautsprecher**, wenn Sie die internen Computerlautsprecher verwenden oder **Kopfhörer**, wenn Sie Lautsprecher oder Kopfhörer verwenden, die über den 1/8"-Kopfhörerausgang an den Computer angeschlossen sind.

Max LP als Standard-Aufnahmegerät einstellen

- **Windows XP:** Klicken Sie auf **Startmenü • Systemsteuerung** (oder Einstellungen • Systemsteuerung in der klassischen Ansicht) • **Sound und Audiogeräte**. Klicken Sie auf die Registerkarte **Audio** unter **Aufnahme** und wählen Sie USB PnP-Audiogerät als Standard-Gerät aus.
- **Windows-Vista:** Klicken Sie **Startmenü • Systemsteuerung** (oder Einstellungen • Systemsteuerung in der klassischen Ansicht) • **Hardware und Sound • Ton**. Klicken Sie auf die Registerkarte **Aufnahme** und wählen Sie USB-Audiogerät als Standard-Gerät.
- **Windows 7:** Wählen Sie **Startmenü Systemsteuerung • Ton**. Klicken Sie auf die Registerkarte **Aufnahme** und wählen Sie USB-Audiogerät als Standard-Gerät.
- **Windows 8:** Klicken Sie im **Startmenü** auf die linke untere Ecke des Bildschirms, um zum Desktop zu gelangen. Klicken Sie in der rechten unteren Ecke der Taskleiste auf das "Lautsprechersymbol". Klicken Sie mit der rechten Maustaste auf den Lautsprecher und wählen **Wiedergabegeräte**. In der Windows-Systemsteuerung für **Sound** wählen Sie die Registerkarte **Aufnahme**. Wenn neben Max LP kein grünes "Häkchen"-Symbol angezeigt wird, klicken Sie mit der rechten Maustaste auf USB PnP-Audiogerät und wählen **Als Standardgerät festlegen**.
- **Mac:** Klicken Sie auf das obere linke "Apfel"-Symbol und klicken dann auf **Systemeinstellungen • Ton**. Klicken Sie auf die Registerkarte **Input**. Wählen Sie USB PnP-Audiogerät im Menü als Gerät aus.

BEVOR SIE DIESES PRODUKT EINSENDEN, kontaktieren Sie bitte ION Audio für technischen Support.

Snelstartgids (Nederlands)

Inleiding

Controleer of de doos de onderstaande onderdelen bevat:

- Max LP
- Stroomadapter
- Stofkap
- USB-kabel
- Kabel voor aux-ingang
- Viltten slipmat
- 45 TPM adapter
- Software-cd
- Snelstartgids
- Veiligheidsvoorschriften en handleiding

LEES DE VEILIGHEIDSVOORSCHRIFTEN VOORALEER HET PRODUCT TE GEBRUIKEN

Ondersteuning

- Surf voor volledige systeemvereisten, compatibiliteitsinformatie en productregistratie naar de website van ION: ionaudio.com
- Bezoek voor de laatste informatie over dit product ionaudio.com/maxlp
- Bezoek voor bijkomende productondersteuning ionaudio.com/support
- Surf voor informatie over veiligheid/garantie naar ionaudio.com/warranty

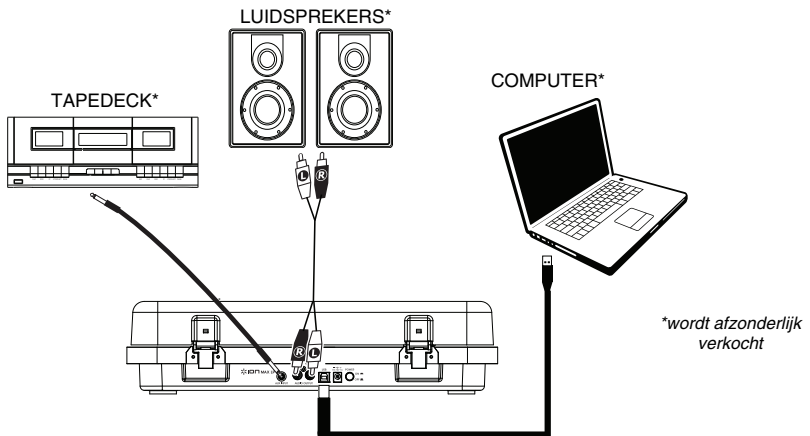
De stofkap op Max LP plaatsen

Volg deze instructies om de meegeleverde stofkap te plaatsen:

1. Lijn de stofkap uit met de hengsels op het achterpaneel van de draaitafel.
2. Plaats de stofkap in de hengsels en druk deze naar beneden om ze te vergrendelen.

Aansluitingendiagram

Aangezien Max LP ingebouwde luidsprekers heeft, is het niet noodzakelijk om luidsprekers te verbinden om naar uw vinylplaten te luisteren. Als u echter uw luidsprekers wilt aansluiten, raadpleeg dan de volgende grafiek.



Gebruik van Max LP met uw computer

Afspelen

Er zijn 3 manieren om met Max LP naar uw vinylplaten te luisteren:

1. U kunt gewoon naar uw muziek luisteren met de interne luidsprekers van Max LP.
2. Als u verkiesst uw eigen stereo luidsprekers te gebruiken, dan kunt u de RCA-uitgangen van Max LP aansluiten op een stereokeeten of actieve luidsprekers. Sluit ze niet aan op phono-ingangen; de RCA-uitgangen van Max LP zijn ingesteld op lijnniveau en kunnen een apparaat met ingangen op phono-niveau beschadigen. (Alle andere standaard ingangen, zoals CD, Aux In of Tape zijn aanvaardbaar.)
3. U kunt luisteren via de luidsprekers van uw computer of met uw koptelefoon aangesloten op uw computer van zodra de ingang van de geluidskaart is ingesteld op *USB PnP Audioapparaat* of *USB Audioapparaat*, afhankelijk van uw besturingssysteem (USB PnP Audioapparaat op Max OS X) en als u de audio opneemt/monitort met EZ Vinyl/Tape Converter of gelijkaardige software (Max LP kan niet worden gebruikt als afspeelapparaat van audio op uw computer). Zie de sectie *De geluidskaart van uw computer instellen als het standaard afspeelapparaat* voor details over hoe u het afspelen van audio moet configureren.

Surf naar ionaudio.com/ezvc om de laatste versie te downloaden van EZ Vinyl/Tape Converter en voor een handige probleemoplossingsgids en bijkomende ondersteuning.

Opnemen

Voor het opnemen van muziek op uw computer, kunt u gebruik maken van de ION EZ Vinyl/Tape Converter. Met EZ Vinyl/Tape Converter kunt u op een eenvoudige manier uw muziek omzetten in digitale bestanden. Na het omzetten van uw vinylplaten, kunt u ze op cd branden of opladen op draagbare muziekspelers.

Om de software te installeren: plaats de meegeleverde cd in uw computer en volg de instructies op het scherm.

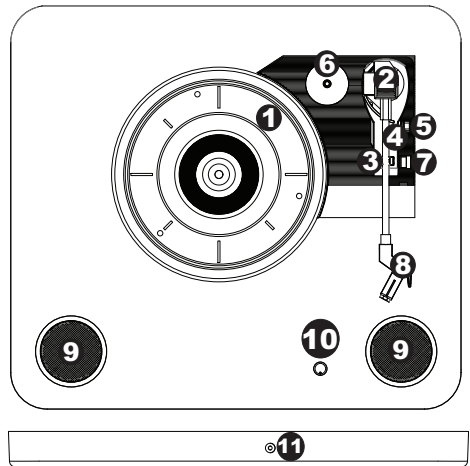
1. Wanneer EZ Vinyl/Tape Converter op uw computer is geïnstalleerd, gebruikt u de meegeleverde USB-kabel om de USB-poort van de Max LP aan te sluiten op een vrije USB-poort op uw computer.
2. Op uw computer kunt de EZ Vinyl/Tape Converter openen door te klikken op **Startmenu** ► **Alle programma's** (Windows) of op het menu **Toepassingen** (Mac).
3. Volg de instructies op het scherm voor het instellen van de opname. Wanneer u wordt gevraagd om uw muziek af te spelen, beweegt u de toonarm van de Max LP over de plaat om het afspelen te starten.

Opmerking: Om tijdens het afspelen te luisteren naar een plaat: luister via de luidsprekers van uw computer of sluit de RCA-uitgangen van de Max LP aan op een stereo-installatie of actieve luidsprekers.

4. Wanneer u klaar bent met de opname, heft u de toonarm van de Max LP van de plaat en plaatst u hem terug op de armsteun.

Kenmerken

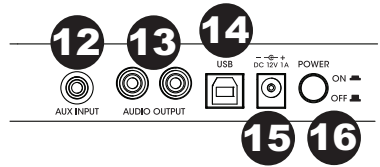
1. **Draaitafel:** leg hierop uw plaat.
2. **Toonarm*:** de toonarm kan met de hand of met de hendel zakken/opheffen naar omhoog of omlaag worden bewogen. Let op: de toonarm moet uit rustpositie worden verplaatst (op de armsteun) om de motor van de draaitafel te activeren. Wanneer de toonarm terug in rustpositie wordt geplaatst, valt de motor van de draaitafel uit. Wanneer de toonarm terug in rustpositie wordt geplaatst, valt de motor van de draaitafel uit als Autostop is ingeschakeld.
3. **Armsteun:** deze speciaal ontworpen armsteun beveiligt de toonarm in rustpositie of wanneer hij niet wordt gebruikt. De armsteun werd ontworpen om in de hoogste positie te blijven wanneer hij ontgrendeld is.
4. **Hendel zakken/opheffen:** heft de toonarm op en laat hem zakken.
5. **Schakelaar 33 / 45 / 78 Toeren:** deze schakelaar controleert het toerental van de draaitafel. Als de plaat niet speelt met de juiste snelheid, raadpleeg dan de sectie *Problemen oplossen* voor details over hoe u dit kunt oplossen.



BELANGRIJK: Als de naald van de draaitafel slijtage vertoont, kunt u een vervangnaald aanschaffen op ionaudio.com/ict05rs. Als u 78-toerenplaten afspeelt, dan raden wij u aan een naald voor 78-toerenplaten te kopen op ionaudio.com/ict06rs.

6. **Houder 45-toerenadapter:** houder voor de meegeleverde 45-toerenadapter. Plaats de adapter in de houder wanneer u hem niet gebruikt.

7. **Autostop-schakelaar:** deze schakelaar zet autostop aan of uit. Wanneer autostop aan staat, begint de draaitafel te draaien van zodra de toonarm zich boven de plaat bevindt en stopt ze met draaien wanneer de plaat haar einde heeft bereikt. (Wanneer autostop afstaat, blijft de draaitafel altijd draaien, ongeacht de positie van de toonarm.)
Opmerking: Als uw vinylplaat stopt voor het einde van de muziek is bereikt, schakel Autostop dan uit voor deze plaat. Dit wordt aanbevolen voor de meeste 45-toerenplaten.
8. **Systeemdrager:** systeemdrager van ION met keramische-cartridge stylus. Verwijder de plastic beschermkap van de stylus voor u een plaat afspeelt.
9. **Luidsprekers:** luister naar de audio van de vinylplaat die u afspeelt.
10. **Volume:** regelt het uitgangsvolume van de interne luidsprekers en de hoofdtelefoonuitgang.
11. **Koptelefooningang:** sluit hier een koptelefoon aan (afzonderlijk verkrijgbaar) om naar uw plaat te luisteren.
12. **Aux-ingang:** sluit op deze stereo 1/8" (3,5 mm)-ingang een andere audiobron aan, zoals een cassettespeler, om de geluidsbron digitaal te converteren via een USB-verbinding met een computer.
13. **RCA-uitgang**:** de audio van een spelende vinylplaat wordt gestuurd naar deze coaxiale audio-uitgang op lijnniveau. Hij mag niet op apparaten met phono-niveau worden aangesloten. (Als u nog niet over een RCA-kabel beschikt, dan kunt u die vinden in een plaatselijke elektronicawinkel.)
14. **USB-audiouitgang:** gebruik de meegeleverde USB-kabel om uw draaitafel op uw computer aan te sluiten. De USB-verbinding verstuurt het audiosignaal van de draaitafel naar uw computer. Zie hoofdstuk **Gebruik Max LP met uw Computer** van deze handleiding voor informatie.
15. **Voeding:** gebruik de meegeleverde stroomadapter om het apparaat aan te sluiten op het stroomnet.
16. **Aan/Uit-schakelaar:** druk op deze knop om de Max LP aan of uit te zetten.



BELANGRIJK: Verwijder het plastic kapje van de naald (naaldbescherming) voor de draaitafel aan te zetten.

* **BELANGRIJK:** U kunt een nieuwe cartridge/stylus kopen door contact op te nemen met de afdeling onderdelen van ION Audio op parts@ionaudio.com, of te surfen naar ionaudio.com/products/accessories.

** **WAARSCHUWING:** De RCA-uitgangen zijn op LIJNNIVEAU. Verbind deze enkel met ingangen op LIJNNIVEAU. U kunt uw receiver beschadigen indien u een apparaat op LIJNNIVEAU aansluit op een PHONO-ingang.

Problemen oplossen

Als u problemen ondervindt, raadpleeg dan de onderstaande stappen voor probleemoplossing evenals die in de handleiding van de EZ Vinyl/Tape Converter bij dit product.

Ik hoor geen audio wanneer ik muziek op een computer opneem:

- o Zorg ervoor dat de Max LP is ingeschakeld en dat de naald op de plaat staat.
- o Zorg ervoor dat Max LP op uw computer als standaard opname-apparaat staat ingesteld (zie de instructies hieronder).
- o U dient ook de USB-kabel die de Max LP met uw computer verbindt eerst te ontkoppelen en daarna weer aan te sluiten. Controleer of de luidsprekers van de computer aan staan en of het volume niet is gedempt. Probeer het volume op de ingebouwde luidsprekers van de Max LP te verhogen met behulp van de volumeknop op het bovenpaneel van Max LP.
- o Als u luistert via de luidsprekers van uw computer, zorg er dan voor dat die luidsprekers op uw computer als standaard afspelerapparaat zijn ingesteld (zie de instructies hieronder).
U kunt ook de RCA-uitgangen van de Max LP aansluiten op een stereosysteem of actieve luidsprekers. *Verbind ze **niet** met phono-ingangen; de RCA-uitgangen van de Max LP staan ingesteld op lijnniveau en kunnen een apparaat met ingangen op phono-niveau beschadigen.*
(Opmerking: de RCA-uitgangen monitoren het signaal dat uit de draaitafel komt, niet het signaal dat uit uw computer komt.)

Ik hoor geen geluid wanneer ik muziek afspeel:

- Als u muziek afspeelt vanaf vinyl:
 - o Zorg ervoor dat de Max LP is ingeschakeld en dat de naald op de plaat staat.
 - o Sluit de RCA-uitgangen van de Max LP aan op een stereo-installatie of actieve luidsprekers. (Verbind ze **niet** met phono-ingangen; de RCA-uitgangen van de Max LP staan ingesteld op lijnniveau en kunnen een apparaat met ingangen op phono-niveau beschadigen.)
 - o Zorg ervoor de volumeknop op de draaitafel te verhogen om uw vinylplaat te horen afspelen door de ingebouwde luidsprekers.
- Als u muziek afspeelt vanaf uw computer:
 - o Zorg ervoor dat de volumeknop van het programma dat uw muziek afspeelt hoog genoeg staat.
 - o Zorg ervoor dat de volumeknop van uw computer hoog genoeg staat.
 - o Zorg ervoor dat de luidsprekers van uw computer als standaard afspelerapparaat zijn ingesteld (zie de instructies hieronder). (Max LP kan niet worden gebruikt als afspelerapparaat voor het geluid van uw computer.)

Ik hoor een bromtoon door mijn speaker of laptop bij gebruik van de draaitafel:

- Als u opneemt op een laptop:
 - Sluit de laptop aan op een geaard stopcontact (drie draden)
- Als u de plaat afspeelt door een speaker:
 - Controleer of u de stroomadapter van 12V en 1A gebruikt die met het product is meegeleverd.
 - Als uw volume op het maximum staat, probeer het dan te verlagen tot het bromgeluid stopt.

Mijn draaitafel maakt geen geluid of de muziek klinkt gedempt:

- Haal de beschermingskap van de naald.

De riem van de draaitafel is losgeraakt:

- Maak de riem terug vast aan de draaitafel. Raadpleeg voor meer details hierover de gids op ionaudio.com/turntablebelt.

Mijn draaitafel draait niet:

- Controleer of de draaitafel aan staat (aan-/uitschakelaar aan de achterkant).
- Controleer of Autostop ingeschakeld is en of de toonarm zich op de plaat bevindt (als Autostop is uitgeschakeld, dan moet de plaat blijven draaien wanneer de draaitafel aanstaat).
- Als de stappen hierboven niet helpen, moet u mogelijk de riem van uw draaitafel opnieuw vastmaken. Raadpleeg voor meer details hierover de gids op ionaudio.com/turntablebelt.

Mijn plaat draait niet aan de correcte snelheid; de klank is te hoog of te laag:

- Controleer of de schakelaar 33/45/78 op de correcte snelheid voor uw plaat staat.
- Als de schakelaar 33/45/78 in de correcte stand staat en als de snelheid lichtjes afwijkt, doe dan het volgende:
 1. Zoek aan de onderkant van de Max LP het rubberen kussentje met de draaisnelheid die u wilt aanpassen en hef het voorzichtig op om het te verwijderen.
 2. Voor de instelling van 45 en 33 RPM, duw door de rubberen afdichting, en draai / los de schroef met een kruiskopschroevendraaier om de RPM-snelheid te fine-tunen.
 3. Voor de 78 RPM-instelling, draait u de schroef los met een platte schroevendraaier.

De geluidskaart van uw computer Instellen als standaard afspeelapparaat

- **Windows XP:** Klik op **Start** ► **Bedieningspaneel** (of Instellingen ► Bedieningspaneel in Klassieke weergave) ► **Geluid en audio-apparaten**. Klik op het tabblad **Geluid** en selecteer onder **Geluid afspeelen** de geluidskaart van uw computer als standaardapparaat.
- **Windows Vista:** Klik op **Start** ► **Bedieningspaneel** (of Instellingen ► Bedieningspaneel in Klassieke weergave) ► **Hardware en geluid** ► **Geluid**. Klik op het tabblad **Afspelen** en selecteer de geluidskaart van uw computer als standaardapparaat.
- **Windows 7:** Klik op **Start** ► **Bedieningspaneel** ► **Geluid**. Klik op het tabblad **Afspelen** en selecteer de geluidskaart van uw computer als standaardapparaat.
- **Windows 8:** Klik in het **Startmenu** op de hoek links onderaan het scherm om het bureaublad te openen. Zoek in de hoek onderaan rechts van de Taakbalk het pictogram met de luidspreker voor de volumeregeling. Klik met de rechtermuisknop op de luidspreker en selecteer **Afspeelapparaten**. In het tabblad **Afspelen** moet het configuratiescherm **Geluid** verschijnen. Als naast de geluidskaart van uw computer geen groen 'vinkje' staat, klik er dan op met de rechtermuisknop en selecteer **Als standaardapparaat instellen**.
- **Mac:** Klik op het "Apple"-pictogram in de linkerbovenhoek en klik op **Systeemvoorkeuren** ► **Geluid**. Klik op het tabblad **Uitvoer**. Selecteer **Interne luidsprekers** in het menu als u gebruik maakt van de interne luidsprekers van uw computer of selecteer **Hoofdtelefoon** als u luidsprekers of een hoofdtelefoon gebruikt die zijn aangesloten op de 1/8"-koptelefoonuitgang van de computer.

Max LP instellen als standaard opnameapparaat

- **Windows XP:** Klik op **Start** ► **Bedieningspaneel** (of Instellingen ► Bedieningspaneel in Klassieke weergave) ► **Geluid en audio-apparaten**. Klik op het tabblad **Geluid** en selecteer onder **Geluid opnemen** de USB PnP Audioapparaat als standaardapparaat.
- **Windows Vista:** Klik op **Start** ► **Bedieningspaneel** (of Instellingen ► Bedieningspaneel in Klassieke weergave) ► **Hardware en geluid** ► **Geluid**. Klik op het tabblad **Opnemen** en selecteer de USB Audioapparaat als standaardapparaat.
- **Windows 7:** Klik op **Start** ► **Bedieningspaneel** ► **Geluid**. Klik op het tabblad **Opnemen** en selecteer de USB Audioapparaat als standaardapparaat.
- **Windows 8:** Klik in het **Startmenu** op de hoek links onderaan het scherm om het bureaublad te openen. Zoek in de hoek onderaan rechts van de Taakbalk het pictogram met de luidspreker voor de volumeregeling. Klik met de rechtermuisknop op de luidspreker en selecteer **Afspeelapparaten**. Selecteer het tabblad **Opnemen** in het configuratiescherm **Geluid**. Als naast de USB PnP Audioapparaat geen groen 'vinkje' staat, klik er dan op met de rechtermuisknop en selecteer **Als standaardapparaat instellen**.
- **Mac:** Klik op het "Apple"-pictogram in de linkerbovenhoek en klik op **Systeemvoorkeuren** ► **Geluid**. Klik op het tabblad **Invoer**. Selecteer in het menu de USB PnP Audioapparaat als het apparaat.

Neem contact op met ION Audio technische ondersteuning VOORALEER DIT PRODUCT TERUG TE ZENDEN.

Appendix

Specifications

Power: 12V DC, 1A, center-positive

Dimensions (Length x Width x Height): 15.23" x 16.14" x 4.05"; 387 mm x 418 mm x 103 mm

Weight: 7.71 lbs.; 3.5 kg

Cartridge type: Ceramic

Stylus: conical, diamond-tipped included, also available for purchase at ionaudio.com/products/accessories

A replacement cartridge/stylus can be purchased by contacting the ION Audio Parts Dept. at 401-658-3743 (U.S.) or emailing parts@ionaudio.com.

Trademarks and Licenses

ION Audio is a trademark of ION Audio, LLC, registered in the U.S. and other countries.

Phillips is a registered trademark of the Phillips Screw Company in the United States and other countries.

All other product or company names are trademarks or registered trademarks of their respective owners.

ionaudio.com