

CONCERT⁸⁸

CAMERA



OWNER'S MANUAL

SAMSON[®]

Copyright 2016 - Samson Technologies
V2

Samson Technologies
45 Gilpin Avenue
Hauppauge, New York 11788-8816
Phone: 1-800-3-SAMSON (1-800-372-6766)
Fax: 631-784-2201
www.samsontech.com

Important Safety Information

1. Read these instructions.
2. Keep these instructions.
3. Heed all warnings.
4. Follow all instructions.
5. Do not use this apparatus near water.
6. Clean only with dry cloth.
7. Do not block any ventilation openings. Install in accordance with the manufacturer's instructions.
8. Do not install near any heat sources such as radiators, heat registers, stoves, or other apparatus (including amplifiers) that produce heat.
9. Do not defeat the safety purpose of the polarized or grounding type plug. A polarized plug has two blades with one wider than the other. A grounding type plug has two blades and a third grounding prong. The wide blade or the third prong are provided for your safety. If the provided plug does not fit into your outlet, consult an electrician for replacement of the obsolete outlet.
10. Protect the power cord from being walked on or pinched particularly at the plugs, convenience receptacles, and at the point where they exit from the apparatus.
11. Only use attachments/accessories specified by the manufacturer.
12. Use only with the cart, stand, tripod, bracket, or table specified by the manufacturer, or sold with the apparatus. When a cart is used, use caution when moving the cart/apparatus combination to avoid injury from tip-over.
13. Unplug the apparatus during lightening storms, or when unused for long periods of time.
14. Refer all servicing to qualified personnel. Service is required when the apparatus has been damaged in any way, such as power supply cord or plug is damaged, liquid has been spilled or objects have fallen into the apparatus has been exposed to rain or moisture, does not operate normally, or has been dropped.
15. This appliance shall not be exposed to dripping or splashing water and that no object filled with liquid such as vases shall be placed on the apparatus.
16. Caution-to prevent electrical shock, match wide blade plug wide slot fully insert.
17. Please keep a good ventilation environment around the entire unit.
18. The direct plug-in adapter is used as disconnect device, the disconnect device shall remain readily operable.
19. Batteries (battery pack or batteries installed) shall not be exposed to excessive heat such as sunshine, fire or the like.



CAUTION: TO REDUCE THE RISK OF ELECTRIC SHOCK, DO NOT REMOVE COVER (OR BACK). NO USER-SERVICEABLE PARTS INSIDE. REFER SERVICING TO QUALIFIED SERVICE PERSONNEL.

ATTENTION: RISQUE D'ÉLECTROCUTION! NE PAS OUVRIR!



This lightning flash with arrowhead symbol within an equilateral triangle is intended to alert the user to the presence of non-insulated "dangerous voltage" within the product's enclosure that may be of sufficient magnitude to constitute a risk of electric shock.



The exclamation point within an equilateral triangle is intended to alert the user to the presence of important operating and maintenance instructions in the literature accompanying the appliance.

WARNING: TO PREVENT FIRE OR SHOCK HAZARD. DO NOT USE THIS PLUG WITH AN EXTENSION CORD, RECEPTACLE OR OTHER OUTLET UNLESS THE BLADES CAN BE FULLY INSERTED TO PREVENT BLADE EXPOSURE. TO PREVENT FIRE OR SHOCK HAZARD. DO NOT EXPOSE THIS APPLIANCE TO RAIN OR MOISTURE. TO PREVENT ELECTRICAL SHOCK, MATCH WIDE BLADE PLUG TO WIDE SLOT AND FULLY INSERT.

Important Safety Information

FCC Rules and Regulations

Samson wireless receivers are certified under FCC Rules part 15 and transmitters are certified under FCC Rules part 74.

Licensing of Samson equipment is the user's responsibility and licensability depends on the user's classification, application and frequency selected.

NOTE: This equipment has been tested and found to comply with the limits for a Class B digital device, pursuant to Part 15 of the FCC Rules. These limits are designed to provide reasonable protection against harmful interference in a residential installation. This equipment generates, uses and can radiate radio frequency energy and, if not installed and used in accordance with the instructions, may cause harmful interference to radio communications. However, there is no guarantee that interference will not occur in a particular installation. If this equipment does cause harmful interference to radio or television reception, which can be determined by turning the equipment off and on, the user is encouraged to try to correct the interference by one or more of the following measures:

- Reorient or relocate the receiving antenna.
- Increase the separation between the equipment and receiver.
- Connect the equipment into an outlet on a circuit different from that to which the receiver is connected.
- Consult the dealer or an experienced Radio/TV technician for help.

This device complies with part 15 of the FCC rules. Operation is subject to the following two conditions:

- (1) this device may not cause harmful interference and
- (2) this device must accept any interference received, including interference that may cause undesired operation.

WARNING: Changes or modifications not expressly approved by the party responsible for compliance could void the user's authority to operate the equipment.

This device complies with RSS-210 of Industry & Science Canada. Operation is subject to the following two conditions:

- (1) this device may not cause harmful interference and
- (2) this device must accept any interference received, including interference that may cause undesired operation.

This equipment is intended for use in wireless microphone applications.

Equipment is intended for sale in: AT, BE, CH, CY, CZ*, DK, EE, FI*, FR*, DE*, GR*, HU, IE, IS, IT, LV, LT*, LU, MT*, NL, NO*, PL* PT, RO, SK, SI, ES, SE, UK

*Subject to license. Please contact your national frequency authority for information on available legal use in your area. Any changes or modifications not expressly approved by Samson Technologies Corp. could void your authority to operate the equipment.



If you want to dispose this product, do not mix it with general household waste. There is a separate collection system for used electronic products in accordance with legislation that requires proper treatment, recovery and recycling.

Private household in the 28 member states of the EU, in Switzerland and Norway may return their used electronic products free of charge to designated collection facilities or to a retailer (if you purchase a similar new one).

For Countries not mentioned above, please contact your local authorities for a correct method of disposal.

By doing so you will ensure that your disposed product undergoes the necessary treatment, recovery and recycling and thus prevent potential negative effects on the environment and human health.

Introduction

Congratulations on purchasing the Samson Concert 88 Camera wireless system. The Concert 88 Camera system is the ideal solution for the electronic news gathering (ENG), broadcast, and videography applications. Featuring simple operation, with 16 available channels and infrared set for the transmitter channel, the Concert 88 Camera system can quickly be up and running out of the box. The CR88V receiver uses a lithium ion rechargeable battery and can be mounted directly to a camera's shoe mount.

In these pages, you'll find a detailed description of the features of the Concert 88 Camera wireless system, step-by-step instructions for its setup and use, and full specifications. If your wireless system was purchased in the United States, you'll also find a warranty card enclosed—don't forget to follow the instructions so that you can receive technical support and so that we can send you updated information about this and other Samson products in the future. Also, be sure to check out our website (www.samsontech.com) for complete information about our full product line.

We recommend you keep the following records for reference, as well as a copy of your sales receipt.

Transmitter & Receiver Serial number: _____

Date of purchase: _____

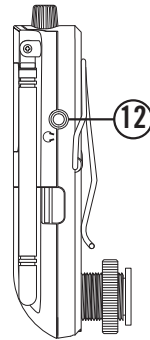
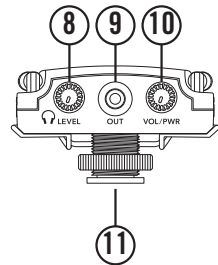
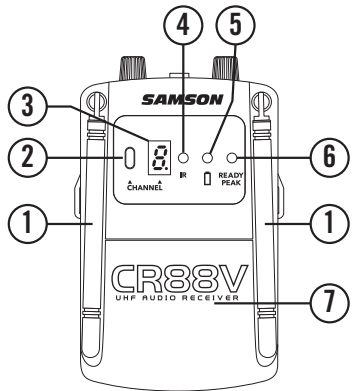
With proper care and maintenance, your Concert 88 Camera wireless system will operate trouble-free for many years. Should your wireless system ever require servicing, a Return Authorization (RA) number must be obtained before shipping your unit to Samson. Without this number, the unit will not be accepted. Please call Samson at 1-800-3SAMSON (1-800-372-6766) for an RA number prior to shipping your unit. Please retain the original packing materials and, if possible, return the unit in its original carton. If your Concert 88 system was purchased outside of the United States, contact your local distributor for warranty details and service information.

System Features

- Professional wireless system optimized for use in ENG and video applications.
- Compatible with HD camcorders and DSLR cameras
- Up to eight simultaneous systems per frequency band (region dependent)
- True diversity technology maximizes active range (up to 300 feet) and reduces potential interference
- 16 available channels operating in the UHF band designed for maximum system compatibility in the same location without interference
- The receiver can be used freestanding or mounted to a camera using the integral shoe mount adapter
- Tone-key and auto-mute ensures clear, interruption-free performance allowing only the transmitter's audio to pass through the receiver, and mutes the output if there is any interference
- Up to 12 hours of battery life, using included lithium ion battery
- Up to 300-foot range (line-of-sight)

CR88V Receiver - Front Callouts

- 1. Antennas** - The antenna mountings allow full rotation for optimum placement. In normal operation, both antennas should be placed in a vertical position. Both antennas can be folded inward for convenience when transporting the CR88V.
- 2. CHANNEL Button** - Press this button to cycle through the receiver's operating channels. Press and hold this button to send the channel information to the transmitter via infrared transmission.
- 3. LED Display** - The 7-segment LED display shows the receiver's current operating channel. The CR88V channels are indicated by 0-9 and A-F.
- 4. IR Transmitter** - During "IR SET" an infrared light is used to set the transmitter channel.
- 5. Battery Level Indicator** - This indicator lights green when the battery is charged and lights red when the battery is low.
- 6. READY/PEAK Indicator** - This indicator lights green when the CR88V is receiving RF signal and the system is ready to use, and lights red when the transmitted audio signal is overloaded.
- 7. Battery Door** - Push in both sides and pull back to open the CR88V battery cover. Insert the included lithium rechargeable batteries. For more information, please read the section on the Rechargeable Battery on page 9.
- 8. Headphone LEVEL control** - This knob sets the level of the audio signal being sent to the headphones output.
- 9. OUT Jack** - Use this 1/8" (3.5 mm) locking mini-phone jack when connecting the CR88V to your video camera or audio device.
- 10. VOL/PWR Control** - This rotary knob controls the level of the receiver output and powers the CR88V on and off. Turn the control clockwise to turn the system on. Turn the knob counterclockwise until it clicks to turn the system off.
- 11. Shoe Mount Adapter** - Use this locking shoe mount adapter to fix the CR88V to a hot or cold shoe mount.
- 12. Headphone Output** - Connect a stereo headphone to this standard 1/8" (3.5 mm) mini-phone jack in order to monitor the signal being output by the CR88V. We recommend the use of 30 ohm headphones. The level of the headphone signal can be set by adjusting the Headphone LEVEL control.



CB88 Belt Pack Transmitter - Callouts

1. **Input Connector** - Connect the input device via the mini-XLR connector. The CB88 is supplied with a lavalier microphone.

2. **Status Indicator** - This LED displays the operation mode:

GREEN	Normal Operation
RED	Mute
Flashing GREEN	Low Battery

3. **Power/Mute Switch** - Press and hold to turn the unit on or off. Press and release to mute or unmute the transmitter.

4. **Belt Clip** - Use this clip to fasten the CB88 transmitter to a belt or guitar strap.

5. **Battery Cover Release** - Push in both sides and pull back to open the CB88 battery cover.

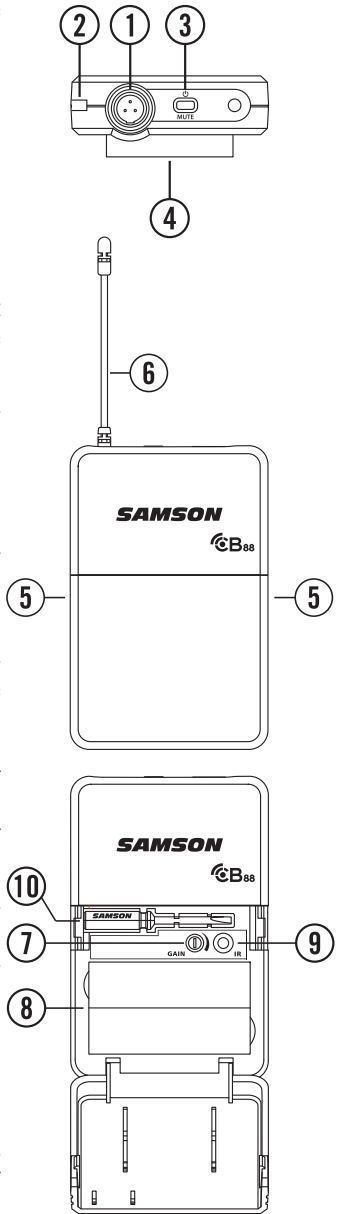
6. **Antenna** - This permanently attached transmitter antenna should be fully extended during normal operation.

7. **Input GAIN Control** - This control adjusts the transmitter input sensitivity to work with microphone and instruments inputs. For optimal performance, using the included screwdriver, set the input GAIN control to where you see the CR88V Audio Meter maximum indicator start to light under high levels, then turn down slowly until the maximum indicator stops lighting.

8. **Battery Holder** - Insert two standard AA (LR6) batteries here, being sure to observe the plus and minus polarity markings shown. Although rechargeable Ni-Cad batteries can be used, they do not supply adequate current for more than four hours. **WARNING:** Do not insert the batteries backwards; doing so can cause severe damage to the CB88 and will void your warranty.

9. **IR Lens** - This window is used to capture the infrared signal sent from the CR88V during the IR SET to channelize the transmitter.

10. **Plastic Screwdriver** - Designed for use in adjusting the CB88 input GAIN (#7) control.



CH88 Handheld Transmitter - Callouts

1. **Status Indicator** - This LED displays the operation mode:

GREEN	Normal Operation
RED	Mute
Flashing GREEN	Low Battery

2. **Power/Mute Switch** - Press and hold to turn the unit on or off. Press and release to mute or unmute the transmitter.

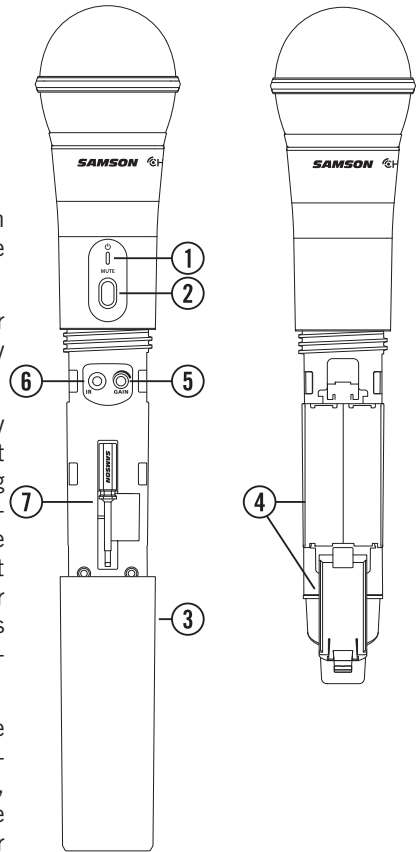
3. **Battery Cover** - Unscrew the battery cover and slide down to open the CH88 battery compartment.

4. **Battery Holder** - Open the battery holder by pressing the tab and lifting the cover. Insert two standard AA (LR6) batteries here, being sure to observe the plus and minus polarity markings shown. Although rechargeable Ni-Cad batteries can be used, they do not supply adequate current for more than four hours. **WARNING:** Do not insert the batteries backwards; doing so can cause severe damage to the CH88 and will void your warranty.

5. **Input GAIN Control** - This control adjusts the transmitter input sensitivity. For optimal performance, using the included screwdriver, set the input GAIN control to where you see the CR88V Audio Meter maximum indicator start to light under high levels, then turn down slowly until the maximum indicator stops lighting.

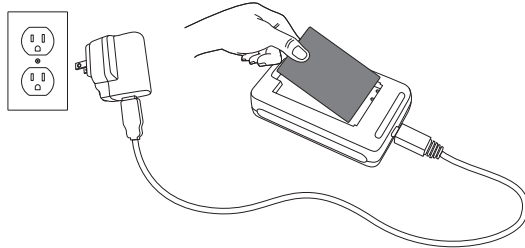
6. **IR Lens** - This window is used to capture the infrared signal sent from the CR88V during the IR SET to channelize the transmitter. The battery cover must be open and the IR Lens facing towards the receiver to load the selected channel.

7. **Plastic Screwdriver** - Designed for use in adjusting the CB88 input GAIN control (See #5 Input GAIN Control HH).

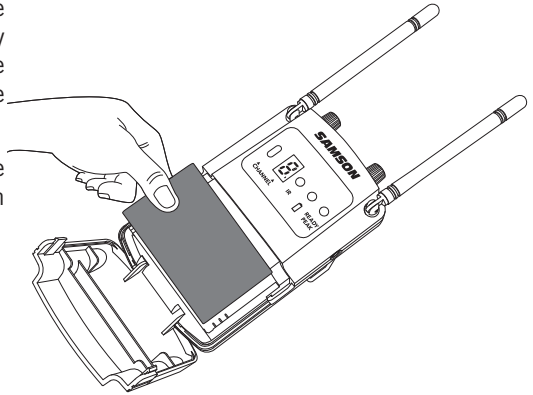


Rechargeable Battery

1. Slide the battery into the charger and make sure it is securely attached.
2. Plug the included USB cable into the battery charger and AC Adapter.
3. Plug the AC adapter into an outlet.



4. The battery will start charging and the status lamp will blink.
5. When the battery is fully charged the indicator light will stay lit.
6. To install the battery into the CR88V receiver, open the battery compartment by pushing in the latches on either side of the battery door.
7. Insert the battery pack. Please observe the correct polarity when inserting the battery.
8. Close the battery compartment.



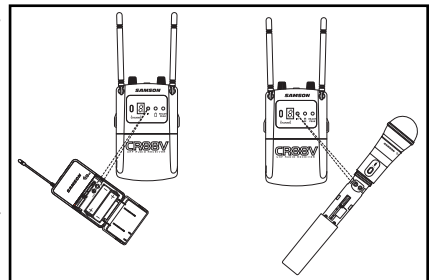
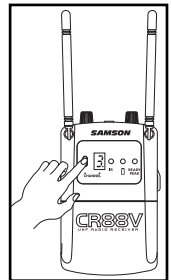
Getting the most out of the rechargeable battery:

- Completely charge the batteries before first use
- Fully charge the battery before it will be used.
- After the battery is charged, unplug the charger from the outlet or remove the battery from the charger.
- The optimal temperature range for using and storing the battery is 50°F - 86°F (30°C - 50°C). The battery performance and operation may decrease in temperatures below 50°F (30°F).
- To extend the battery life, remove the battery from the CR88V when not in use.

Quick Start

In order for your wireless system to work correctly, both the receiver and transmitter must be set to the same channel. Follow this basic procedure for setting up and using your Concert 88 Camera wireless system:

1. Mount the CR88V receiver where it will be used, and extend the antennas vertically. The general rule of thumb is to maintain “line of sight” between the receiver and transmitter so that the person using or wearing the transmitter can see the receiver.
2. With the CR88V powered off, insert the battery. Turn the CR88V on momentarily to confirm that the unit is receiving power. Then turn the CR88V power off.
3. With your camera off connect the CR88V receiver output jack to the audio input of the camera using the receiver’s 1/8” output. Turn the VOL/PWR knob on the CR88V counterclockwise to turn its power on.
4. With the transmitter powered off, install two fresh AA batteries into the CB88 belt pack or CH88 handheld transmitter. Leave the battery compartment open.
5. Turn on the power to the transmitter by pressing and holding Power switch; the indicator LED will light green.
6. Press and hold the CR88V CHANNEL button to execute an IR Set which synchronizes the transmitter to the same channel as the receiver via infrared transmission.
7. Position the transmitter about 6”-12” (15cm-30cm) from the front of the CR88V with the transmitter’s IR window facing the IR transmitter on the front panel of the CR88V receiver.
8. When the transmission is complete, the CR88V will receive RF signal and the tone key from the transmitter. The RF meter on the CR88V will light indicating that it is receiving wireless signal from the transmitter.
9. Turn on your connected camera, but keep the volume all the way down. Set the Volume knob on the CR88V fully clockwise. This is unity gain.
10. Speak or sing into the microphone while slowly raising the volume of your camera until the desired level is reached.
11. Walk around the performance area to ensure the coverage is consistent throughout. If you find the system has noticeable dropouts, reduced overall working range, or unexpected noise bursts, change the operating channel of the system using the steps above.



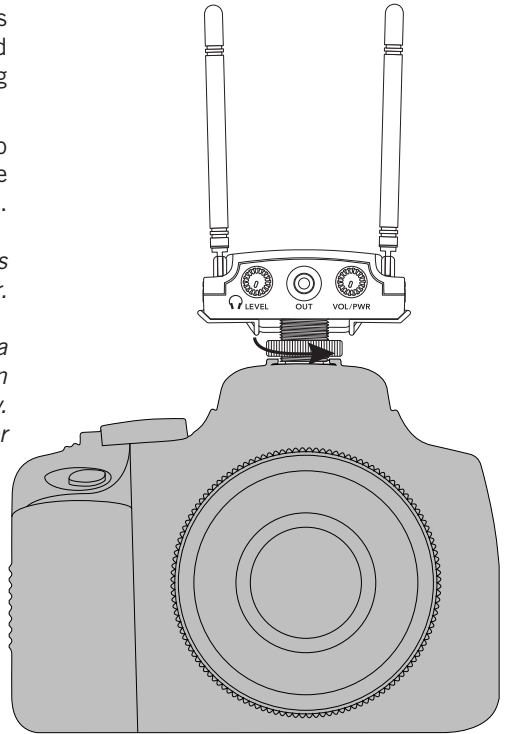
Mounting the CR88V to a Camera

Follow these steps to mount the AR2 onto a camera:

1. Slide the CR88V into the camera's standard shoe mounting point, and lock the receiver in place by tightening the knurled washer.
2. Connect the CR88V audio output to the camera's audio input using the supplied 1/8" (3.5mm) or XLR cable.

Note: The shoe mount adapter does not pass power to the CR88V receiver.

Note: If your camera does not have a standard hot shoe mounting point, an additional adapter may be necessary. Please refer to your camera's user guide.



ENGLISH

FRANÇAIS

DEUTSCHE

ESPAÑOL

ITALIANO

Channel Plans

Group K 470-494 MHz		Group D 542-566 MHz		Group F* 606-630 MHz		Group G* 863-865 MHz		Group L* 823-832 MHz	
Ch	Freq	Ch	Freq	Ch	Freq	Ch	Freq	Ch	Freq
0	470.125	0	542.125	0	606.125	0	863.050	0	823.125
1	471.625	1	543.625	1	607.625	1	863.250	1	823.425
2	473.050	2	545.05	2	609.05	2	863.550	2	823.875
3	474.425	3	546.425	3	610.425	3	863.750	3	824.475
4	474.900	4	546.900	4	610.900	4	864.050	4	825.575
5	477.525	5	549.525	5	613.525	5	864.250	5	825.275
6	479.100	6	551.100	6	615.100	6	864.550	6	826.325
7	480.475	7	552.475	7	616.475	7	864.750	7	827.250
8	482.000	8	554.000	8	618.000	8	864.950	8	827.500
9	484.075	9	556.075	9	620.075			9	827.750
A	486.975	A	558.975	A	622.975			A	828.050
B	487.975	B	559.975	B	623.975			B	828.500
C	489.050	C	561.050	C	625.050			C	829.100
D	490.975	D	562.975	D	626.975			D	829.900
E	492.425	E	564.425	E	628.425			E	830.950
F	493.975	F	565.975	F	629.975			F	831.875

** Not for use in the USA and Canada. For questions regarding available channels in your area contact your local Samson distributor.*

Troubleshooting

Issue	Solutions
No audio	Make sure that the transmitter and receiver are both powered on.
	Ensure the transmitter's batteries are installed correctly.
	Check that the transmitter is not muted.
	Confirm that the CR88V battery is charged and installed correctly.
	Make sure the audio output cables are securely connected to the CR88V receiver.
	Ensure that the receiver and transmitter are in line of sight with one another.
	Check the receiver and audio input device level controls.
	Ensure that the transmitter and receiver are set to the same operating channel. If unsure, reset the channel by performing an IR set.
Distorted audio	The receiver output level or audio input device level may be too high.
	Check the transmitters batteries, and replace if low.
	The input gain on the transmitter or audio source level may be too high.
Audio dropout	The transmitter may be too far away from the receiver. Move it closer to the receiver, or reposition the antennas.
	Remove any sources that may cause RF interference such as cell phones, cordless phones, lighting equipment, computers, metal structures, etc.
	Move receiver to the top space of the equipment rack or place on top of equipment to ensure there are no obstructions blocking line of site from the transmitter.
Receiver will not power on	Check the adaptor to ensure it is properly connected and plugged into an outlet providing power.
Transmitter will not power on	Replace the transmitter batteries.
Unwanted noise or interference	If using multiple systems, make sure none of the systems are operating on the same channel. If the problem persists, change one or all of the systems channels.
	If using multiple systems, set all receivers to the same Group. Perform a channel scan within the Group to select the optimum Channels.

Specifications

System

Working Range	300' (100m) line of sight
Audio Frequency Response	50Hz - 15kHz
T.H.D. (Overall)	<1% (@AF 1kHz, RF 46dBu)
Dynamic Range	>100dB A-weighted
Signal to Noise	>90dB
Operating Temperature	-10°C (14°F) to +60°C (+140°F)
Tone Key Frequency	32.768kHz

CB88 Belt pack Transmitter

Input Connector	Mini-XLR (P3)
Input Impedance	1M Ω
Input Gain Range	38 B
RF Power	10mW EIRP
Power Requirements	Two AA (LR6) alkaline batteries
Battery Life	8 hours
Dimensions (HxLxD)	3.75" x 2.44" x 0.75" 96mm x 62mm x 18.5mm
Weight	0.2lb / 93g

CH88 Handheld Transmitter

Microphone Element	Dynamic
Input Gain Range	28dB
RF Power	10mW EIRP
Power Requirements	Two AA (LR6) alkaline batteries
Battery Life	8 hours
Dimensions (Hx \emptyset)	10.23" x 2.1" 260mm x 54mm
Weight	0.48lb / 218g

CR88V Receiver

Output Connector	1/8" Locking
Audio Output Level	+9dBu
Audio Output Impedance	1k Ω
Headphone Connector	1/8"
Headphone Output Impedance	16 Ω
Sensitivity	-100dBm / 30dB sinad
Image Rejection	>50dB
Operating Voltage	3.7VDC
Current Consumption	120mA
Battery	3.7V / 1050mAh Lithium Ion
Dimensions (LxWxH)	4.33" x 2.55" x 0.86" 110mm x 65mm x 22mm
Weight	0.92lb / 92g

At Samson, we are continually improving our products, therefore specifications and images are subject to change without notice.

R&TTE Declaration of Conformity

In accordance with EN ISO 17050:2005

We, Samson Technologies Corporation, located at 45 Gilpin Ave, Hauppauge, NY 11788 USA declare under our own responsibility that the products:

Product Name: Concert 88 Camera Wireless Microphone

Trade Name: Samson

Type or Model: CR88V (Receiver), CH88 (Handheld Transmitter), CB88 (Belt Pack Transmitter)

are in conformity with the essential requirements of the following EC Directive(s) when installed in accordance with the installation instructions contained in the product documentation:

2006/95/EC - LVD Directive

2004/108/EC - EMC Directive

1999/5/EC - R&TTE Directive

The product is in conformity with the following standards and/or other normative documents:

EN60065:2014	Audio, video and similar electronic apparatus - Safety requirements
EN301 489-1 V1.9.2	Common technical requirements.
EN301 489-9 V1.4.1	Specific conditions for wireless microphones, similar Radio Frequency (RF) audio link equipment, cordless audio and in-ear monitoring.
EN300 422-1 V1.5.1	Technical characteristics and methods.
EN300 422-2 V1.4.1	Harmonized EN covering essential requirements of article 3.2 of the R&TTE directive
EN62479:2010	Harmonized EN covering essential requirements of article 3.1a of the R&TTE directive

Year of CE Marking (Low Voltage Directive): 2015

Identification Mark: **0197** (*Notified body number*)

This equipment will also carry the Class 2 equipment identifier:

Signed on behalf of the manufacturer:

Authorized Representative:

Position:

Date:



Douglas Bryant

Vice President Engineering

12/5/2015

CE 0197

Hereby, Samson Technologies Corp., declares that this CR88V, CH88, CB88 is in compliance with the essential requirements and other relevant provisions of Directive 1999/5/EC. The declaration of conformity may be consulted at:

www.samsontech.com/samson/products/wireless-systems/concert-88/concert88camera-hh/#downloads-and-manuals-tab

Informations de sécurité importantes

1. Lisez ces instructions.
2. Conservez ces instructions.
3. Respectez tous les avertissements.
4. Suivez toutes les instructions.
5. N'utilisez pas cet appareil à proximité d'un point d'eau.
6. Nettoyez-le uniquement avec un chiffon sec.
7. N'obstruez pas les ouvertures de ventilation. Installez-le conformément aux instructions du fabricant.
8. Ne l'installez pas près de sources de chaleur telles que des radiateurs, des diffuseurs d'air chaud, des fours, des poêles ou autres appareils (y compris les amplificateurs) produisant de la chaleur.
9. Ne désactivez pas le dispositif de sécurité de la fiche polarisée ou de terre. Une fiche polarisée comporte deux broches, l'une plus large que l'autre. Une fiche de terre comporte deux broches et une troisième de mise à la terre. La broche large, ou troisième broche, est prévue par mesure de précaution. Si la fiche fournie ne correspond pas à votre fiche murale, consultez un électricien pour remplacer la fiche murale obsolète.
10. Faites en sorte que le cordon ne soit pas piétiné ou pincé, en particulier au niveau des broches, des prises de courant, et au point de sortie de l'appareil.
11. Utilisez uniquement des fixations/accessoires spécifiés par le fabricant.
12. Utilisez-le uniquement avec le chariot, le trépied, un support ou une table spécifiée par le fabricant ou vendu avec l'appareil. Lors de l'utilisation d'un chariot, soyez prudent lors du déplacement de l'ensemble chariot/appareil pour éviter des blessures liées à un renversement.
13. Débranchez l'appareil pendant les orages ou lorsqu'il n'est pas utilisé pendant de longues périodes de temps.
14. Confiez l'entretien à du personnel qualifié. Une réparation est nécessaire si l'appareil a été endommagé d'une façon quelconque, par exemple si le cordon d'alimentation ou la fiche sont endommagés, en cas de dommages en raison de renversement de liquides ou de chutes d'objets sur l'appareil, d'une exposition à la pluie ou à l'humidité, ou si l'appareil ne fonctionne pas normalement, ou est tombé.
15. Cet appareil ne doit pas être exposé à des gouttes ou des éclaboussures de liquide et aucun objet rempli de liquide, comme un vase, ne doit être placé sur l'appareil.
16. Attention - Pour éviter les chocs électriques, faites correspondre la large lame de prise à la large fente en l'enfonçant complètement.
17. Veuillez conserver un environnement bien ventilé autour de l'unité entière.
18. La fiche secteur sert à débrancher l'appareil, celle-ci doit rester facilement accessible.
19. Les batteries (batterie intégrées ou installées) ne doivent pas être exposées à une source de chaleur excessive comme le soleil, le feu, etc.



ATTENTION : POUR RÉDUIRE LE RISQUE D'ÉLECTROCUTION, N'OUVREZ PAS LE CAPOT (OU LA FACE ARRIÈRE). NE CONTIENT AUCUNE PIÈCE QUE L'UTILISATEUR PEUT ENTREtenir. CONFIEZ L'ENTRETIEN À DU PERSONNEL D'ENTRETIEN QUALIFIÉ.

ATTENTION : RISQUE D'ÉLECTROCUTION ! NE PAS OUVRIR !



Cet éclair avec le symbole de flèche dans un triangle équilatéral est destiné à alerter l'utilisateur de la présence de « tension dangereuse » non isolée à l'intérieur du produit qui peut être d'une importance suffisante pour constituer un risque de choc électrique.



Le point d'exclamation dans un triangle équilatéral est destiné à alerter l'utilisateur de la présence d'importantes instructions de fonctionnement et d'entretien dans la documentation accompagnant l'appareil.

AVERTISSEMENT : POUR ÉVITER LES INCENDIES OU LES CHOCs ÉLECTRIQUES. N'UTILISEZ PAS CETTE FICHE AVEC UNE RALLONGE, UNE PRISE DE COURANT OU TOUTE AUTRE PRISE, SAUF SI LES LAMES PEUVENT ÊTRE INSÉRÉES COMPLÈTEMENT DE SORTE À ÉVITER L'EXPOSITION DE LA LAME. POUR ÉVITER LES INCENDIES OU LES CHOCs ÉLECTRIQUES. N'EXPOSEZ PAS CET APPAREIL À LA PLUIE OU À L'HUMIDITÉ. POUR ÉVITER TOUT CHOC ÉLECTRIQUE, INSÉREZ LA LAME LARGE DANS LA FENTE LARGE CORRESPONDANTE ET ENFONCEZ-LA COMPLÈTEMENT.

Informations de sécurité importantes

Réglementation de la FCC

Les récepteurs sans fil Samson sont conformes à l'article 15 de la réglementation FCC et les émetteurs sont conformes à l'article 74 de la réglementation FCC.

L'homologation de l'équipement Samson relève de la responsabilité de l'utilisateur et l'admissibilité à un permis dépend de la catégorie, de la demande et de la fréquence sélectionnée de l'utilisateur.

REMARQUE : Cet appareil a été testé et respecte les limites d'un appareil numérique de classe B, conformément à l'article 15 de la réglementation FCC. Ces limites sont conçues pour fournir une protection raisonnable contre les perturbations nocives dans une installation résidentielle. Cet équipement émet, utilise et peut irradier de l'énergie radioélectrique et, s'il n'est pas installé et utilisé conformément aux instructions, il peut provoquer des interférences nuisibles aux instructions communications radio. Il n'existe cependant aucune garantie que des perturbations ne se produiront pas dans une installation particulière. Si cet équipement provoque des perturbations de la réception radio ou télévisée, que l'on peut déterminer en arrêtant l'équipement puis en le remettant en marche, l'utilisateur est invité à tenter de corriger les perturbations en utilisant une ou plusieurs des méthodes suivantes :

- Réorienter ou déplacer l'antenne de réception.
- Augmenter la distance entre l'équipement et le récepteur.
- Brancher l'équipement sur une prise se trouvant sur un circuit différent de celui sur lequel le récepteur est branché.
- Consulter le revendeur ou un technicien radio/TV expérimenté.

Cet appareil est conforme à l'article 15 de la réglementation FCC. Son utilisation est soumise aux deux conditions ci-après :

- (1) Cet appareil ne peut pas provoquer d'interférences dangereuses, et ;
- (2) Cet appareil doit tolérer toutes les interférences reçues, y compris les interférences susceptibles de provoquer un fonctionnement non souhaité.

AVERTISSEMENT : Les changements ou modifications non expressément approuvés par la partie responsable de la conformité pourraient annuler l'autorisation de l'utilisateur d'utiliser cet équipement.

Cet appareil est conforme à la RSS-210 de l'Industrie et Science Canada. Son utilisation est soumise aux deux conditions ci-après :

- (1) Cet appareil ne peut pas provoquer d'interférences dangereuses, et ;
- (2) Cet appareil doit tolérer toutes les interférences reçues, y compris les interférences susceptibles de provoquer un fonctionnement non souhaité.

Cet équipement est prévu pour une utilisation avec un micro sans fil.

Ce matériel est destiné à la vente en : AT, BE, CH, CY, CZ*, DK, EE, FI*, FR*, DE*, GR*, HU, IE, IS, IT, LV, LT*, LU, MT*, NL, NO*, PL* PT, RO, SK, SI, ES, SE, UK

*Sous réserve de licence. Pour plus d'informations sur l'utilisation légale accessible dans votre région, veuillez contacter votre autorité nationale compétente en matière de fréquences. Les changements ou modifications non expressément approuvés par Samson Technologies Corp. pourraient annuler l'autorisation de l'utilisateur de faire fonctionner cet équipement.



Pour mettre ce produit au rebut, ne le mélangez pas aux ordures ménagères. Il existe un système de collecte séparée pour les produits électroniques usagés, conformément à la législation qui prévoit le traitement, la récupération et le recyclage corrects.

Les ménages dans les 28 états membres de l'UE, en Suisse et en Norvège peuvent mettre au rebut leurs produits électroniques usagés gratuitement auprès d'installations de collecte agréées ou auprès d'un détaillant (si vous achetez un produit neuf similaire).

Pour les pays non mentionnés ci-dessus, veuillez contacter les autorités locales pour connaître la méthode de traitement appropriée.

Ce faisant, vous vous assurez que votre produit subit le traitement, la récupération et le recyclage nécessaires et prévenez ainsi les effets négatifs potentiels sur l'environnement et la santé humaine.

Introduction

Félicitations pour votre achat du système pour appareil photo sans fil Samson Concert 88. Le système Concert 88 Camera est la solution idéale pour la retransmission d'informations électroniques (ENG), la diffusion et les applications de vidéographie. Grâce à son fonctionnement simple, avec 16 canaux disponibles et un kit infrarouge pour le canal de l'émetteur, le système Concert 88 Camera peut rapidement être monté et utilisé. Le récepteur CR88V utilise une batterie rechargeable lithium-ion et peut être monté directement sur le support caméra de l'appareil.

Ces pages vous présentent une description détaillée des caractéristiques du système Concert 88 Camera sans fil, ainsi que des instructions pas-à-pas d'installation et d'utilisation, et les spécifications complètes. Si votre système sans fil a été acheté aux États-Unis, vous trouverez également une carte de garantie — n'oubliez pas de suivre les instructions de sorte à pouvoir bénéficier de l'assistance technique et recevoir les informations mises à jour à ce sujet et sur d'autres produits Samson dans le futur. De même, assurez-vous de consulter notre site Web (www.samsontech.com) pour en savoir plus sur notre ligne complète de produits.

Nous vous conseillons de garder les documents suivants à titre de référence, ainsi qu'un exemplaire de votre facture.

Numéro de série d'émetteur-récepteur : _____

Date d'achat : _____

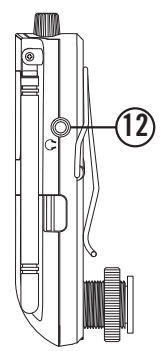
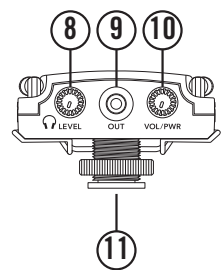
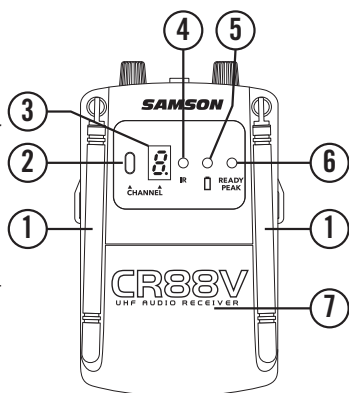
Grâce à un entretien et une utilisation corrects, vous profiterez de votre système sans fil Concert 88 Camera pendant de nombreuses années. Si votre système sans fil doit être réparé, vous devez demander un numéro RA (Autorisation de retour : Return Authorization) avant d'expédier votre appareil à Samson. Sans ce numéro, l'unité ne sera pas acceptée. Veuillez appeler Samson au numéro 1-800-3SAMSON (1-800-372-6766) pour obtenir un numéro RA avant d'expédier votre appareil. Veuillez conserver les éléments d'emballage d'origine et, si possible, retourner l'appareil dans son carton d'origine. Si vous avez acheté votre système Concert 88 en dehors des États-Unis, contactez votre distributeur local pour en savoir plus sur la garantie et les services d'entretien.

Caractéristiques du système

- Système sans fil professionnel optimisé pour une utilisation dans le cadre d'applications vidéo et ENG.
- Compatible avec les appareils photo reflex numériques et les caméscopes HD
- Jusqu'à huit systèmes simultanés par bande de fréquences (selon la région)
- La technologie True diversity optimise la plage active (jusqu'à 300 pieds (91,5 m)) et diminue les interférences potentielles
- 16 canaux disponibles fonctionnant dans la bande UHF conçus pour une compatibilité maximale du système dans la même zone sans interférence
- Le récepteur peut être utilisé indépendamment ou monté à un appareil photo à l'aide de l'adaptateur du support de montage intégral
- La touches de volume et d'auto-sourdine assurent un fonctionnement continu net, ne laissant passer que le son de l'émetteur par le récepteur et met en sourdine la sortie en cas d'interférence
- Jusqu'à 12 heures d'autonomie, grâce à la batterie au lithium-ion incluse
- Une plage allant jusqu'à 300 pieds (91,5 m) (visibilité directe)

Récepteur CR88V - Références avant

- 1. Antennes** - Les supports d'antenne pivotent complètement pour un positionnement optimal. En fonctionnement normal, les deux antennes doivent être placées en position verticale. Les deux antennes peuvent être repliées vers l'intérieur pour plus de commodité lors du transport du CR88V.
- 2. Bouton CHANNEL** - Appuyez sur cette touche pour faire défiler les canaux de commande du récepteur. Appuyez et maintenez ce bouton enfoncé pour envoyer les informations de canal vers l'émetteur par transmission infrarouge.
- 3. Écran LED** - L'écran LED à 7 segments affiche le canal de commande actuel du récepteur. Les canaux du CR88V sont indiqués par 0-9 et A-F.
- 4. Émetteur IR** - Pendant « IR SET » (réglage IR) une lumière infrarouge sert à définir le canal de l'émetteur.
- 5. Indicateur de niveau de batterie** - Ce témoin s'allume en vert lorsque la batterie est chargée et s'allume en rouge lorsque la batterie est faible.
- 6. Indicateur READY/PEAK (prêt/pic)** - Cet indicateur s'allume en vert lorsque le CR88V reçoit un signal HF et que le système est prêt à être utilisé, et s'allume en rouge lorsque le signal audio est surchargé.
- 7. Couvercle de batterie** - Appuyez des deux côtés et tirez pour ouvrir le couvercle de la batterie CB88V. Insérez les piles rechargeables au lithium incluses. Pour plus d'informations, veuillez lire la section sur la pile rechargeable à la page 9.
- 8. Contrôle de volume du casque** - Ce bouton ajuste le niveau du signal envoyé sur la sortie casque.
- 9. Jack OUT** - Utilisez ce mini-jack 1/8" (3,17 mm) verrouillable lors de la connexion du CR88V à votre appareil photo ou à un périphérique audio.
- 10. Contrôle de VOL/PWR** - Ce bouton rotatif contrôle le niveau de la sortie du récepteur et allume ou éteint le CR88V. Tournez le bouton vers la droite pour allumer le système. Tournez-le vers la gauche jusqu'au dé clic pour mettre le système hors tension.
- 11. Adaptateur de support** - Utilisez cet adaptateur de support à verrouillage pour fixer le CR88V à un support à griffe ou sabot.
- 12. Sortie casque** : Connectez un casque stéréo à cette prise mini-jack standard 3,17 mm afin de surveiller le signal transmis par le CR88V. Nous recommandons l'utilisation de casques de 30 Ohms. Le niveau du signal du casque peut être ajusté en réglant le bouton de niveau de sortie casque.



ENGLISH

FRANÇAIS

DEUTSCHE

ESPAÑOL

ITALIANO

Émetteur de ceinture CB88 - Références

1. **Connecteur d'entrée** - Pour connecter le périphérique d'entrée via le connecteur mini-XLR. Le CB88 est fourni avec un microphone Lavalier.
2. **Indicateur d'état** - Cette LED indique le mode de fonctionnement :

VERT	Fonctionnement normal
ROUGE	Muet
Clignote VERT	Batterie faible

3. **Interrupteur Puissance/Muet** - Appuyez et maintenez pour éteindre l'appareil ou l'allumer. Appuyez et relâchez pour activer ou désactiver le mode muet de l'émetteur.

4. **Clip de ceinture** - Utilisez cette pince pour attacher l'émetteur CB88 à une ceinture ou une sangle de guitare.

5. **Ouverture du couvercle de batterie** - Appuyez des deux côtés et tirez pour ouvrir le couvercle de la batterie CB88.

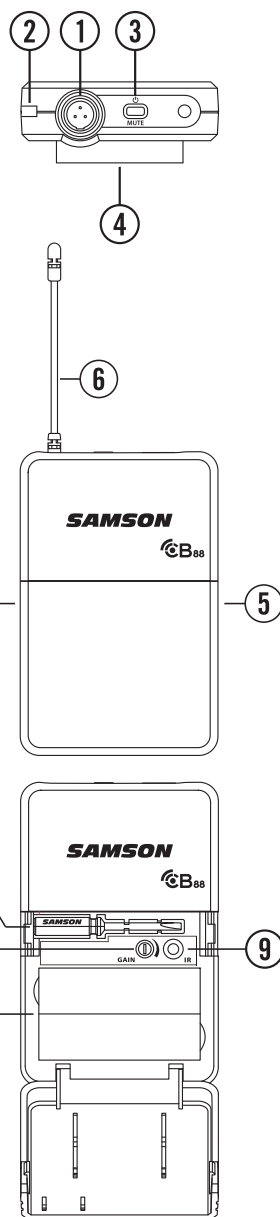
6. **Antenne** - Cette antenne d'émetteur attachée en permanence doit être entièrement sortie au cours d'un fonctionnement normal.

7. **Contrôle GAIN d'entrée** - Cette commande permet de régler la sensibilité d'entrée de l'émetteur afin de travailler avec des entrées de micro et d'instruments. Pour des performances optimales, à l'aide du tournevis inclus placez le contrôle du GAIN d'entrée à l'endroit où l'indicateur de niveau maximal de l'audiomètre du CR88V commence à s'allumer pour des niveaux élevés, puis baissez lentement jusqu'à ce que l'indicateur de maximum cesse de s'allumer.

8. **Support de piles** - Insérez deux piles AA (LR6) standard ici, en veillant à respecter l'indication de polarité plus et moins. Bien que des piles rechargeables au Ni-Cad puissent être utilisées, elles ne fournissent pas un courant suffisant pendant plus de quatre heures. **AVERTISSEMENT** : N'insérez pas les piles à l'envers ; cela peut provoquer des dommages importants au CB88 et annulera votre garantie.

9. **Lentille IR** - Cette fenêtre sert à capturer le signal infrarouge envoyé par le CR88V pendant le réglage IR pour multiplexer l'émetteur.

10. **Tournevis en plastique** - Conçu pour régler la commande GAIN (#7) d'entrée du CB88.



CH88 Émetteur portable - Références

1. **Indicateur d'état** - Cette LED indique le mode de fonctionnement :

VERT	Fonctionnement normal
ROUGE	Muet
Clignote VERT	Batterie faible

2. **Interrupteur Puissance/Muet** - Appuyez et maintenez pour éteindre l'appareil ou l'allumer. Appuyez et relâchez pour activer ou désactiver le mode muet de l'émetteur.

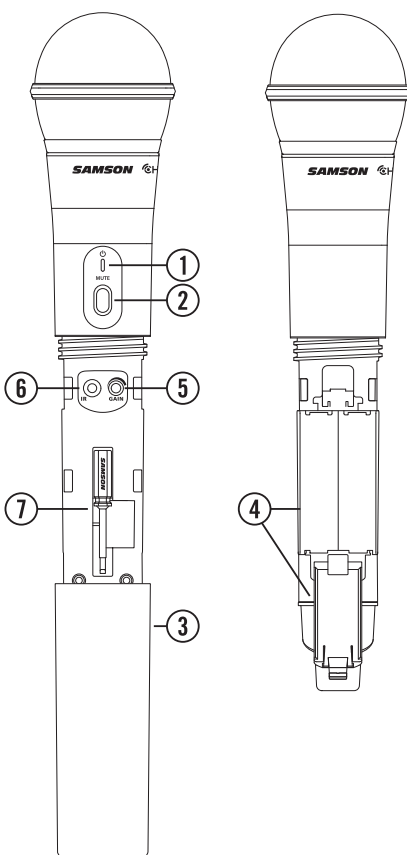
3. **Cache-batterie** - Dévissez le couvercle de la batterie et faites-le glisser vers le bas pour ouvrir le compartiment à piles CH88.

4. **Support de piles** - Ouvrez le support de piles en appuyant sur la languette et en soulevant le couvercle. Insérez deux piles AA (LR6) standard ici, en veillant à respecter l'indication de polarité plus et moins. Bien que des piles rechargeables au Ni-Cad puissent être utilisées, elles ne fournissent pas un courant suffisant pendant plus de quatre heures. **AVERTISSEMENT** : N'insérez pas les piles à l'envers ; cela peut provoquer des dommages importants au CH88 et annulera votre garantie.

5. **Contrôle GAIN d'entrée** - Cette commande permet de régler la sensibilité d'entrée de l'émetteur. Pour des performances optimales, à l'aide du tournevis inclus placez le contrôle du GAIN d'entrée à l'endroit où l'indicateur de niveau maximal de l'audiomètre du CR88V commence à s'allumer pour des niveaux élevés, puis baissez lentement jusqu'à ce que l'indicateur de maximum cesse de s'allumer.

6. **Lentille IR** - Cette fenêtre sert à capturer le signal infrarouge envoyé par le CR88V pendant le réglage IR pour multiplexer l'émetteur. Le couvercle doit être ouvert et la lentille IR doit faire face au récepteur pour charger le canal sélectionné.

7. **Tournevis en plastique** - Conçu pour régler la commande GAIN d'entrée du CB88 (Voir #5 Commande de GAIN d'entrée HH).



ENGLISH

FRANÇAIS

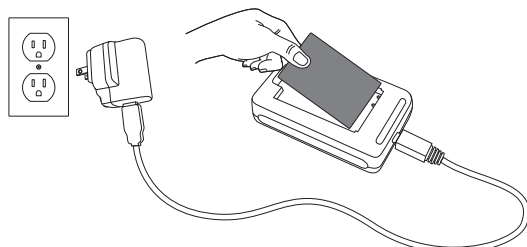
DEUTSCHE

ESPAÑOL

ITALIANO

Piles rechargeables

1. Faites glisser la pile dans le chargeur et assurez-vous qu'elle est bien fixée.
2. Branchez le câble USB inclus dans le chargeur et l'adaptateur secteur.
3. Branchez l'adaptateur secteur dans une prise murale.

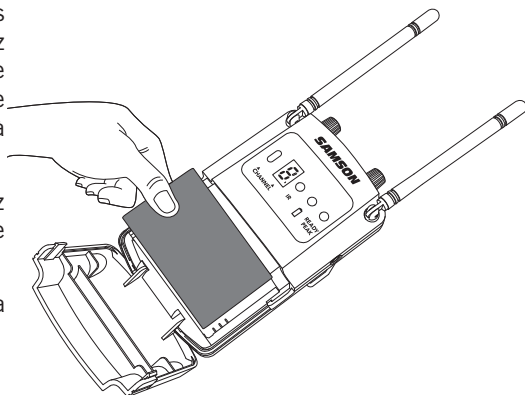


4. La batterie commence à charger et le voyant d'état clignote.
5. Lorsque la batterie est complètement chargée, le témoin reste allumé.

6. Pour installer la batterie dans le récepteur CR88V, ouvrez le compartiment de la batterie en appuyant sur les verrous de chaque côté du compartiment à pile.

7. Insérez le bloc batterie. Veuillez respecter la polarité lors de l'insertion de la batterie.

8. Fermez le compartiment de la batterie.



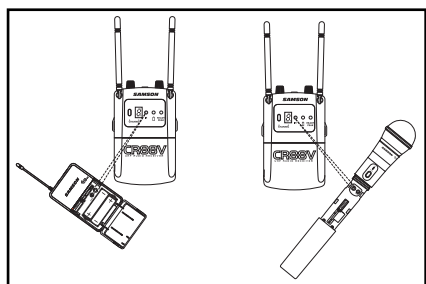
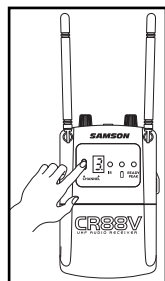
Tirez le meilleur parti de la batterie rechargeable :

- Chargez complètement les batteries avant la première utilisation
- Chargez entièrement la batterie avant son utilisation.
- Une fois que la batterie est chargée, débranchez le chargeur de la prise ou retirez la batterie du chargeur.
- La température optimale pour l'utilisation et le stockage de la batterie se situe entre 50°F et 86°F (30°C à 50°C). Les performances de la batterie et son fonctionnement peuvent diminuer à des températures inférieures à 50°F (30°F).
- Pour prolonger la longévité de la batterie, retirez la batterie du CR88V quand il n'est pas en service.

Démarrage rapide

Pour que votre système sans fil fonctionne correctement, le récepteur et l'émetteur doivent être réglés sur le même canal. Suivez la procédure pour configurer et utiliser votre système sans fil Concert 88 Camera :

1. Installez le récepteur CR88V là où il sera utilisé et déployez les antennes. La règle générale est de maintenir la « visibilité directe » entre le récepteur et l'émetteur de sorte que la personne utilisant ou portant l'émetteur puisse voir le récepteur.
2. Une fois le CR88V éteint, insérez la batterie. Allumez le CR88V quelques instants afin de confirmer que l'appareil est sous tension. Éteignez ensuite le CR88V.
3. Une fois votre appareil photo hors tension, connectez le jack de sortie du récepteur CR88V à l'entrée audio de l'appareil à l'aide de la sortie du récepteur 3,17 mm. Tournez le bouton VOL/PWR sur le CR88V dans le sens antihoraire pour l'allumer.
4. Une fois l'émetteur éteint, installez deux piles AA neuves dans le kit de ceinture CB88 ou l'émetteur portatif CH88. Laissez le compartiment à piles ouvert.
5. Allumez l'émetteur en appuyant et en maintenant l'interrupteur d'alimentation ; le voyant LED s'allume en vert.
6. Appuyez et maintenez le bouton CHANNEL du CR88V pour exécuter un réglage IR qui synchronise l'émetteur sur le même canal que le récepteur via une transmission infrarouge.
7. Positionnez l'émetteur à environ 15 cm à 30 cm de l'avant du CR88V avec la fenêtre d'IR de l'émetteur vers l'émetteur IR sur le panneau avant du récepteur CR88V.
8. Lorsque la transmission est terminée, le CR88V recevra les signaux RF et la commutation par tonalité de l'émetteur. Le compteur RF sur le CR88V s'allume, indiquant qu'il reçoit un signal sans fil depuis l'émetteur.
9. Allumez votre appareil photo connecté, mais gardez le volume au minimum. Tournez le bouton de Volume complètement vers la droite sur le CR88V. Il s'agit d'un gain unitaire.
10. Parlez ou chantez dans le microphone tout en augmentant progressivement le volume de votre caméra jusqu'à ce que le niveau désiré soit atteint.
11. Marchez autour de la zone de représentation pour vous assurer que la couverture est présente partout. Si vous constatez que le système décroche considérablement, une plage globale de fonctionnement réduite ou des rafales de bruit inattendues, modifiez le canal de fonctionnement du système en suivant les étapes ci-dessus.



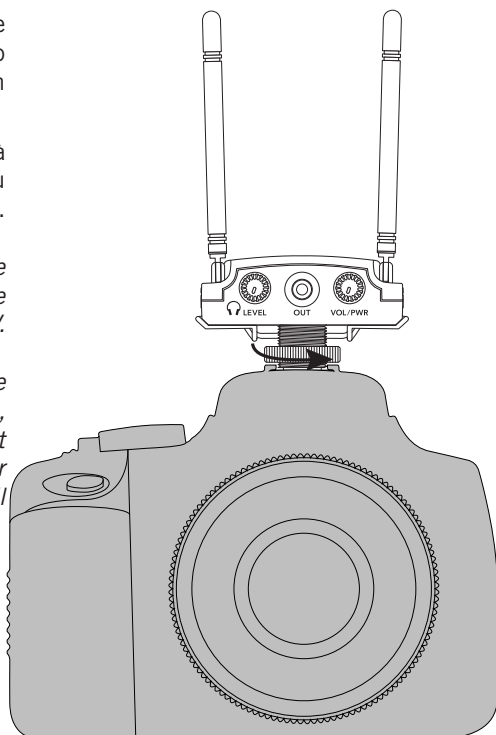
Montage du CR88V sur un appareil photo

Procédez comme suit pour monter l'AR2 sur un appareil photo :

1. Glissez le CR88V dans le point de support standard de l'appareil photo et bloquez le récepteur en place en serrant la rondelle moletée.
2. Raccordez la sortie audio du CR77V à la sortie audio de l'appareil à l'aide du câble jack 3,17 mm ou câble XLR fourni.

Remarque : L'adaptateur de support ne transmet pas de puissance au récepteur CR88V.

Remarque : Si votre appareil ne possède pas un support de montage standard, un adaptateur supplémentaire peut être nécessaire. Veuillez vous référer au guide d'utilisation de votre appareil photo.



Plans de canal

Groupe K 470 - 494 MHz		Groupe D 542 - 566 MHz		Groupe F* 606 - 630 MHz		Groupe G* 863 - 865 MHz		Groupe L* 823 - 832 MHz	
Ch	Fréq	Ch	Fréq	Ch	Fréq	Ch	Fréq	Ch	Fréq
0	470,125	0	542,125	0	606,125	0	863,050	0	823,125
1	471,625	1	543,625	1	607,625	1	863,250	1	823,425
2	473,050	2	545,05	2	609,05	2	863,550	2	823,875
3	474,425	3	546,425	3	610,425	3	863,750	3	824,475
4	474,900	4	546,900	4	610,900	4	864,050	4	825,575
5	477,525	5	549,525	5	613,525	5	864,250	5	825,275
6	479,100	6	551,100	6	615,100	6	864,550	6	826,325
7	480,475	7	552,475	7	616,475	7	864,750	7	827,250
8	482,000	8	554,000	8	618,000	8	864,950	8	827,500
9	484,075	9	556,075	9	620,075			9	827,750
A	486,975	A	558,975	A	622,975			A	828,050
B	487,975	B	559,975	B	623,975			B	828,500
C	489,050	C	561,050	C	625,050			C	829,100
D	490,975	D	562,975	D	626,975			D	829,900
E	492,425	E	564,425	E	628,425			E	830,950
F	493,975	F	565,975	F	629,975			F	831,875

* N'est pas destiné à un usage aux USA et au Canada. Pour toute question concernant les canaux disponibles dans votre région contactez votre distributeur local de Samson.

ENGLISH

FRANÇAIS

DEUTSCHE

ESPAÑOL

ITALIANO

Dépannage

Numéro	Solutions
Pas d'audio	Assurez-vous que l'émetteur et le récepteur sont tous les deux sous tension.
	Assurez-vous que les piles de l'émetteur sont correctement installées.
	Vérifiez que l'émetteur n'est pas en mode muet.
	Confirmez que la batterie de CR88V est chargée et installée correctement.
	Assurez-vous que les câbles de sortie audio sont bien connectés au récepteur CR88V.
	Assurez-vous que le récepteur et l'émetteur sont en ligne de visée l'un de l'autre.
	Vérifiez le récepteur et les commandes de niveau de périphérique d'entrée audio.
	Veillez à ce que l'émetteur et le récepteur soient sur le même canal d'utilisation. En cas de doute, réinitialisez le canal en procédant à un réglage IR.
Son déformé	Le niveau de sortie du récepteur ou le niveau du périphérique d'entrée audio peut être trop élevé.
	Vérifiez les piles des émetteurs et les remplacer si elles sont faibles.
	Le gain d'entrée sur l'émetteur ou le niveau de la source audio peut être trop élevé.
Décrochage audio	L'émetteur peut être trop éloigné du récepteur. Rapprochez-le du récepteur, ou repositionnez les antennes.
	Supprimez toutes les sources qui peuvent causer des interférences RF tels que les téléphones cellulaires, les téléphones sans fil, les appareils d'éclairage, les ordinateurs, les structures métalliques, etc..
	Déplacez le récepteur au niveau de la zone supérieure du bâti ou placez-le au-dessus de l'appareil pour vous assurer qu'il n'y a aucun obstacle bloquant la ligne de visée de l'émetteur.
Le récepteur ne s'allume pas	Vérifiez l'adaptateur pour vous assurer qu'il est correctement connecté et branché dans une prise d'alimentation.
L'émetteur ne s'allume pas	Remplacez les piles de l'émetteur.
Des bruits indésirables ou des interférences	Si vous utilisez plusieurs systèmes, assurez-vous qu'aucun des systèmes ne fonctionnent sur le même canal. Si le problème persiste, modifiez un ou tous les canaux des systèmes.
	Si vous utilisez plusieurs systèmes, réglez tous les récepteurs sur le même Groupe. Effectuez un balayage des canaux au sein du groupe pour sélectionner les meilleurs canaux.

Spécifications

Système

Portée de fonctionnement	ligne de visée de 300 pi (100 m)
Réponse en fréquence audio	50 Hz - 15 kHz
T.H.D. (Hors tout) < 1 % (@AF 1 kHz, RF 46 dBu)	
Plage dynamique > 100 dB pondéré	
Signal sur bruit	> 90 dB
Température de fonctionnement	-10°C (14°F) à + 60°C (+ 140°F)
Fréquence de commutation par tonalité	32,768 kHz

Émetteur de ceinture CB88

Connecteur d'entrée	Mini-XLR (P3)
Impédance d'entrée	1 M Ω
Plage de Gain d'entrée	38 B
Puissance RF	10 mW EIRP
Exigences d'alimentation	Deux piles alcalines AA (LR6)
Longévité de la batterie	8 heures
Dimensions (HxLxP)	3,75" x 2.44" x 0.75" 96 mm x 62 mm x 18,5 mm
Poids	0.2lb (93 g)

CH88 Émetteur portable

Élément de microphone	Dynamique
Plage de Gain d'entrée	28 dB
Puissance RF	10 mW EIRP
Exigences d'alimentation	Deux piles alcalines AA (LR6)
Longévité de la batterie	8 heures
Dimensions (Hx \emptyset)	10,23" x 2,1" 260 mm x 54 mm
Poids	0.48lb (218 g)

Récepteur CR88V

Connecteur de sortie	1/8" verrouillable
Niveau de sortie audio	+9 dBu
Impédance de sortie audio	1 k Ω
Connecteur de casque	1/8"
Impédance de sortie casque	16 Ω
Sensibilité	100 dBm / 30 dB sinad
Rejet d'image	> 50 dB
Tension de fonctionnement	3,7 Vc.c.
Consommation de courant	120 mA
Batterie	3,7 V / 1050 mAh Lithium Ion
Dimensions (LxlxH)	4.33" x 2.44" x 0.86" 110 mm x 65 mm x 22 mm
Poids	0.92lb / 92 g

Chez Samson, nous améliorons nos produits en permanence, certaines images et spécifications sont donc susceptibles de changer sans notification préalable.

R&TTE - DÉCLARATION DE CONFORMITÉ

Conforme à la norme EN ISO 17050:2005

Nous, Samson Technologies Corporation, situés au 45 Gilpin Ave, Hauppauge, NY 11788 USA déclarons sous notre seule responsabilité que les produits :

Nom du produit : Microphone sans fil pour Concert 88 Camera

Dénomination commerciale : Samson

Type ou modèle : CR88V (récepteur), CH88 (émetteur), CB88 (émetteur de ceinture)

sont conformes aux exigences essentielles de la directive CE suivante lorsqu'ils sont installés conformément aux instructions contenues dans la documentation du produit :

2006/95/EC - Directive LVD

2004/108/EC - Directive EMC

1999/5/EC - Directive R&TTE

Le produit est conforme aux normes suivantes et/ou d'autres documents normatifs :

EN60065:2014

Audio, vidéo et appareils électroniques analogues - Exigences de sécurité

EN301 489-1 V1.9.2

Exigences techniques communes.

EN301 489-9 V1.4.1

Conditions spécifiques pour les microphones sans fil, autres équipements de liaisons audio à fréquence radio (RF), audio sans fil et surveillance par oreillette.

EN300 422-1 V1.5.1

Caractéristiques techniques et méthodes.

EN300 422-2 V1.4.1

EN harmonisée couvrant les exigences essentielles de l'article 3.2 de la directive R & TTE

EN62479:2010

EN harmonisée couvrant les exigences essentielles de l'article 3.1a de la directive R&TTE

Année du marquage CE (directive « basse tension ») : 2015

Marque d'identification : **0197** (Numéro de l'organisme notifié)

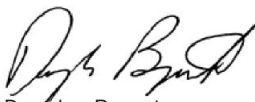
Cet équipement présentera également l'identificateur de matériel de classe 2 :

Signé au nom du fabricant par :

Représentant habilité : Douglas Bryant

Poste : Vice-président technique

Date : 05/12/2015



CE 0197

Par la présente, Samson Technologies Corp. déclare que ces produits CR88V, CH88, CB88 sont en conformité avec les exigences essentielles et autres dispositions pertinentes de la directive 1999/5/EC. La déclaration de conformité est consultable à l'adresse suivante :

www.samsontech.com/samson/products/wireless-systems/concert-88/concert88camera-hh/#downloads-and-manuals-tab

Wichtige Sicherheitshinweise

1. Lesen Sie die vorliegende Anleitung.
2. Bewahren Sie diese Anleitung auf.
3. Beachten Sie sämtliche Warnhinweise.
4. Befolgen Sie sämtliche Anweisungen.
5. Verwenden Sie dieses Gerät nicht in Wassernähe.
6. Reinigen Sie ausschließlich mit einem trockenen Tuch.
7. Blockieren Sie keine Entlüftungsöffnungen. Stellen Sie das Gerät entsprechend den Anweisungen des Herstellers auf.
8. Stellen Sie das Gerät nicht in der Nähe von Wärmequellen wie Heizstrahlern, Wärmespeichern, Öfen oder anderen wärmeerzeugenden Geräten (einschließlich Verstärkern) auf.
9. Beeinträchtigen Sie auf keinen Fall die Schutzfunktion des Schutzkontaktsteckers oder gepolten Steckers. Ein polarisierter Stecker besitzt zwei Blätter, von denen eines breiter als das andere ist. Ein Schutzkontaktstecker besitzt zwei Kontakte und einen Kontaktstift für die Erdung. Das breite Blatt (der dritte Kontaktstift) dient der Sicherheit des Benutzers. Falls der mitgelieferte Stecker nicht in die Steckdose an Ihrem Standort passt, wenden Sie sich an einen qualifizierten Elektriker, damit dieser die Steckdose durch eine neue ersetzen kann.
10. Verhindern Sie, dass auf das Netzkabel getreten oder es eingeklemmt werden kann. Dies gilt insbesondere für den Bereich von Stecker, Steckdose und dem Punkt, an dem das Kabel aus dem Gerät heraustritt.
11. Verwenden Sie Aufbaugeräte und Zubehörprodukte nur dann, wenn der Hersteller diese spezifiziert hat.
12. Verwenden Sie es nur mit dem Wagen, Stativ, Ständer oder Tisch, der vom Hersteller spezifiziert ist oder zum Lieferumfang des Gerätes gehört. Benutzen Sie den Wagen besonders vorsichtig, wenn Sie ihn samt Gerät verschieben. Wenn der Wagen kippt, kann es zu Verletzungen kommen.
13. Ziehen Sie den Netzstecker des Geräts, wenn ein Gewitter aufzieht oder das Gerät für längere Zeit nicht verwendet soll.
14. Überlassen Sie Wartung und Reparaturen ausschließlich entsprechend qualifizierten Fachkräften. Bei jeglichem Geräteschaden sind Wartung und ggf. Reparatur erforderlich, z. B. bei Beschädigung des Stromkabels oder Steckers, verschütteter Flüssigkeit oder in das Gerät gefallenen Gegenständen; außerdem auch dann, wenn das Gerät Regen oder Feuchtigkeit ausgesetzt war, nicht ordnungsgemäß funktioniert oder fallen gelassen wurde.
15. Auf das im Folgenden beschriebene Gerät darf Flüssigkeit weder tropfen noch spritzen. Daher dürfen keine mit Flüssigkeit gefüllten Gefäße (z. B. eine Vase) auf das Gerät gestellt werden.
16. Vorsicht – um Stromschlag zu verhindern, führen Sie das breite Blatt des Steckers vollständig in den breiten Schlitz ein.
17. Bitte achten Sie darauf, dass die Umgebung der gesamten Einheit stets gut belüftet ist.
18. Der Direct-Plug-in-Adapter wird als „Verbindungstrenngerät“ verwendet; das Verbindungstrenngerät sollte jederzeit betriebsbereit bleiben.
19. Batterien (Akku oder eingesetzte Batterien) dürfen keiner übermäßigen Hitze, beispielsweise Sonneneinstrahlung, Feuer und dergleichen, ausgesetzt werden.



VORSICHT: UM STROMSCHLAG ZU VERMEIDEN, NEHMEN SIE FRONTBLENDE UND RÜCKWAND NICHT SELBST AB. IM INNEREN DES GERÄTS BEFINDEN SICH KEINE VOM NUTZER ZU WARTENDEN TEILE. ÜBERLASSEN SIE WARTUNGS- UND REPARATURARBEITEN ENTSPRECHEND QUALIFIZIERTEN FACHKRÄFTEN.

ATTENTION: RISQUE D'ÉLECTROCUTION! NE PAS OUVRIR!



Das von einem gleichseitigen Dreieck umschlossene Blitz-Pfeil-Symbol soll den Anwender darauf hinweisen, dass nicht isolierte „gefährliche Spannung“ im Gerätegehäuse vorhanden und u. U. ausreichend hoch ist, um ein Stromschlagrisiko zu bergen.



Das von einem gleichseitigen Dreieck umschlossene Ausrufezeichen soll für den Nutzer wichtige Hinweise zu Betrieb und Wartung des Geräts hervorheben.

WARNUNG: UM FEUER ODER STROMSCHLAG VORZUBEUGEN. VERWENDEN SIE DIESEN STECKER NICHT MIT EINEM VERLÄNGERUNGSKABEL, EINER STECKDOSE ODER SONSTIGEN AUSGABESTELLE, ES SEI DENN, DIE KONTAKTE KÖNNEN VOLLSTÄNDIG EINGESTECKT WERDEN, UM FREILIEGENDE KONTAKTE ZU VERHINDERN. UM FEUER ODER STROMSCHLAG VORZUBEUGEN. SETZEN SIE DIESES GERÄT WEDER REGEN NOCH FEUCHTIGKEIT AUS. UM STROMSCHLAG ZU VERHINDERN, FÜHREN SIE DAS BREITE BLATT DES STECKERS VOLLSTÄNDIG IN DEN BREITEN SCHLITZ EIN.

Wichtige Sicherheitshinweise

Vorschriften und Bestimmungen der FCC (Federal Communications Commission, USA)

Drahtlose Receiver sind gemäß FCC-Vorschriften, Teil 15, zertifiziert, Transmitter sind gemäß den FCC-Vorschriften, Teil 74, zertifiziert.

Es liegt in der Verantwortung des Benutzers, Samson-Equipment zu lizenzieren. Die Lizenzfähigkeit hängt von der gewählten Klassifizierung, Verwendung und Frequenz des Nutzers ab.

HINWEIS: Dieses Equipment wurde getestet und es wurde festgestellt, dass es die Beschränkungen für ein Klasse B-Digitalgerät gemäß Teil 15 der FCC-Vorschriften einhält. Diese Beschränkungen sind darauf ausgerichtet, angemessenen Schutz gegen schädliche Interferenzen bei der Installation in einer Wohnumgebung zu bieten. Dieses Equipment erzeugt und nutzt funkfrequente Energie und kann diese möglicherweise auch ausstrahlen, zudem kann es, sofern es nicht gemäß den Anweisungen installiert ist und verwendet wird, Interferenzen verursachen, die Funkkommunikation beeinträchtigen. Es gibt jedoch keine Garantie dafür, dass bei einer bestimmten Installation keine Interferenzen auftreten. Falls dieses Equipment Interferenzen verursacht, die den Radio- oder Fernsehempfang beeinträchtigen (dies lässt sich feststellen, indem das Equipment aus- und angeschaltet wird), sollte der Nutzer versuchen, die Interferenzen zu korrigieren. Dafür eignen sich eine oder mehrere der folgenden Maßnahmen:

- Die Antenne neu ausrichten oder an eine andere Stelle versetzen.
- Den Abstand zwischen Equipment und Receiver vergrößern.
- Equipment und Receiver an unterschiedliche Steckdosen bzw. Schaltkreise anschließen.
- Die Hilfe des Händlers oder eines erfahrenen Radio-/Fernsehtechnikers in Anspruch nehmen.

Dieses Gerät erfüllt Teil 15 der FCC-Vorschriften. Der Betrieb unterliegt den folgenden beiden Bedingungen:

- (1) Dieses Gerät darf keine schädlichen Interferenzen verursachen.
- (2) Dieses Gerät muss alle empfangenen Interferenzen aufnehmen, einschließlich Interferenzen, die unerwünschten Betrieb verursachen können.

WARNUNG: Bei Veränderungen oder Modifikationen, die von der für Compliance zuständigen Stelle nicht ausdrücklich genehmigt sind, kann die Berechtigung des Benutzers zum Betrieb der Ausrüstung erlöschen.

Dieses Gerät erfüllt RSS-210 von Industry & Science Canada. Der Betrieb unterliegt den folgenden beiden Bedingungen:

- (1) Dieses Gerät darf keine schädlichen Interferenzen verursachen.
- (2) Dieses Gerät muss alle empfangenen Interferenzen aufnehmen, einschließlich Interferenzen, die unerwünschten Betrieb verursachen können.

Dieses Equipment ist für den Einsatz in Anwendungen mit kabellosen Mikrofonen vorgesehen.

Das Equipment ist für den Verkauf in folgenden Ländern vorgesehen: AT, BE, CH, CY, CZ*, DK, EE, FI*, FR*, DE*, GR*, HU, IE, IS, IT, LV, LT*, LU, MT*, NL, NO*, PL* PT, RO, SK, SI, ES, SE, UK

*Vorbehaltlich der Lizenz. Bitte senden Sie sich für weitere Informationen zur legalen Verwendung in Ihrem Gebiet an die für Frequenzverwaltung zuständige Behörde Ihres Landes. Veränderungen oder Modifikationen, die von Samson Technologies Corp. nicht ausdrücklich genehmigt sind, können die Berechtigung zum Betrieb der Ausrüstung unwirksam werden lassen.



Entsorgen Sie dieses Gerät nach Ende seiner Nutzungsdauer bitte nicht als Restmüll. Nutzen Sie bitte die in Ihrer Region bestehenden Entsorgungsmöglichkeiten (Sammelsystem) für Elektronikprodukte. Mit einer fachgerechten Entsorgung ermöglichen Sie ordnungsgemäße Handhabung, Aufbereitung und Wiederverwendung gemäß den gesetzlichen Bestimmungen.

Privathaushalte in den 28 Mitgliedsstaaten der EU, in der Schweiz und in Norwegen können gebrauchte elektronische Geräte kostenlos in den dafür vorgesehenen Sammelstellen oder beim Einzelhändler (bei Kauf eines ähnlichen Neugeräts) abgeben.

In allen anderen als den genannten Ländern wenden Sie sich zwecks ordnungsgemäßer Entsorgung bitte an die für Ihren Ort zuständige Behörde.

So gehen Sie sicher, dass das von Ihnen entsorgte Produkt ordnungsgemäß gehandhabt, aufgearbeitet oder recycelt wird, und leisten einen wichtigen Beitrag zum Schutz von Umwelt und Gesundheit.

Einführung

Herzlichen Glückwunsch zum Kauf des kabellosen Systems Samson Concert 88 Camera. Das System Concert 88 Camera ist die ideale Lösung für die elektronische Berichterstattung (Electronic News-Gathering, ENG), Übertragung und Videographieanwendungen. Dank seiner Bedienfreundlichkeit, 16 verfügbaren Kanälen und Infrarot-Set für den Transmitterkanal ist das System Concert 88 Camera direkt nach dem Auspacken schnell eingerichtet und betriebsbereit. Der CR88V-Receiver verwendet einen Lithium-Ionen-Akku. Er kann direkt auf den Kameraschuh montiert werden.

Auf den folgenden Seiten wird der Funktionsumfang des kabellosen Systems Concert 88 Camera detailliert beschrieben, Einrichtung und Bedienung werden Schritt für Schritt erklärt. Ebenfalls enthalten sind die ausführlichen Spezifikationen. Falls Sie Ihr kabelloses System in den Vereinigten Staaten gekauft haben, finden Sie zudem eine beigefügte Garantiekarte – bitte befolgen Sie die Anleitung, damit Sie technischen Support erhalten können und damit wir Ihnen Zukunft aktualisierte Informationen über dies und andere Samson-Produkte zusenden können. Alle wichtigen Informationen zu unser gesamten Produktpalette finden Sie auch auf unserer Website (www.samsontech.com).

Bewahren Sie die nachstehende Anleitung bitte sorgfältig auf, am Besten zusammen mit Ihrem Kaufbeleg.

Seriennummer von Transmitter und Receiver: _____

Kaufdatum: _____

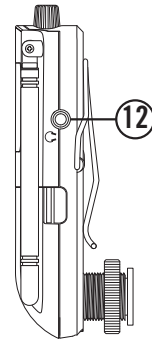
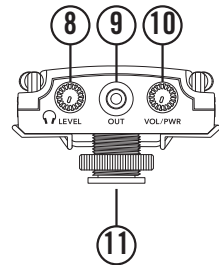
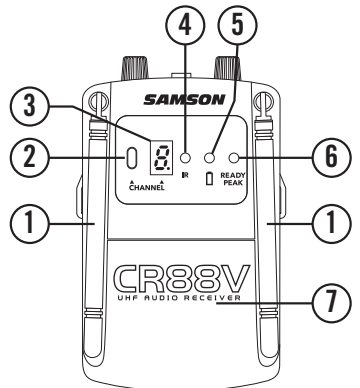
Wenn Sie Ihr kabelloses System, Concert 88 Camera, mit angemessener Sorgfalt behandeln und regelmäßig korrekt warten, funktioniert Ihr Expedition Lautsprecher im Normalfall jahrelang problemlos. Sollte Ihr kabelloses System einmal gewartet werden müssen, besorgen Sie sich vor der Rücksendung Ihrer Einheit an Samson bitte eine Return Authorization (RA) Number (Rücksendeberechtigungsnummer). Ohne eine solche Nummer müssen wir das eingeschickte Gerät leider zurückweisen. Sie können sich telefonisch unter +1-800-3SAMSON (+1-800-372-6766) an Samson wenden. Erfragen Sie eine Umtauschberechtigungsnummer und schicken Sie anschließend Ihr Gerät ein. Bitte verwenden Sie zum Einschicken möglichst Originalkarton und -verpackungsmaterial. Wenn Sie Ihr Concert 88 außerhalb der USA erworben haben, wenden Sie sich bitte an einen Händler in Ihrer Umgebung. Dort erhalten Sie alle für Garantie, Wartung und Reparaturen wichtigen Informationen.

Systemeigenschaften

- Professionelles kabelloses System, optimiert für den Einsatz in der ENG und in Videoanwendungen.
- Kompatibel mit HD-Camcordern und DSLR-Kameras
- Bis zu acht simultane Systeme pro Frequenzband (regionsabhängig)
- True Diversity-Technologie maximiert aktive Reichweite (bis zu 300 Fuß (gut 90 Meter)) und reduziert mögliche Interferenzen
- 16 verfügbare Kanäle funktionieren im UHF-Frequenzband, das für maximale Systemkompatibilität am selben Standort ohne Interferenzen ausgelegt ist
- Der Receiver kann als eigenständiges Gerät verwendet oder mithilfe des integrierten Zubehörschuhadapters auf die Kamera gesetzt werden.
- Tone-key und Auto-mute gewährleisten eine klare, unterbrechungsfreie Leistung, die nur die Audiosignale des Transmitters durch den Receiver lässt und die Ausgabe stummschaltet, falls es Interferenzen gibt.
- Akkulebensdauer von bis zu 12 Stunden, bei Verwendung des im Lieferumfang enthaltenen Lithium-Ionen-Akkus
- Reichweite bis zu gut 90 Meter (300 Fuß)(Sichtverbindung)

CR88V Receiver – Beschriftungen Frontblende

- 1. Antennen** – Die Antennenaufsätze ermöglichen 360 °-Rotation für optimale Platzierung. Bei Normalbetrieb sollten beide Antennen in einer vertikalen Position platziert werden. Für einen bequemerem Transport lassen sich beide Antennen des CR88V einklappen.
- 2. Taste CHANNEL** – Drücken Sie diese Taste, um die funktionierenden Kanäle des Receiver durchzugehen. Drücken und halten Sie diesen Knopf, um die Kanalinformationen per Infrarotübertragung an den Transmitter zu senden.
- 3. LED-Anzeige** – das aus sieben Segmenten bestehende LED-Display zeigt, welcher Kanal im Receiver gerade in Betrieb ist. Die CR88V-Kanäle werden mit 0–9 und A–F angegeben.
- 4. IR-Transmitter** – Während „IR SET“ wird der Transmitterkanal per Infrarotlicht eingestellt.
- 5. Anzeige Batteriestatus** – Diese Anzeige leuchtet bei geladenem Akku grün und bei niedrigem Akkustand rot.
- 6. Anzeige READY/PEAK** – Diese Anzeige leuchtet grün, wenn der CR88V ein Funksignal empfängt und das System betriebsbereit ist, und rot, wenn das übertragene Audiosignal übersteuert ist.
- 7. Batterieklappe** – Beide Seiten nach innen drücken und zurückziehen, um die Batterieabdeckung des CR88V zu öffnen. Die beiliegenden wieder-aufladbaren Lithiumbatterien einsetzen. Weitere Informationen finden Sie im Abschnitt zum Akku (Rechargeable Battery) auf Seite 9.
- 8. Regler Kopfhörer LEVEL** – Dieser Drehregler stellt den Pegel des Audiosignals ein, das an den Kopfhörerausgang geleitet wird.
- 9. Buchse OUT** – Verwenden Sie diese Miniklinkenbuchse (1/8 Zoll (3,5 mm)) mit Einrastfunktion, wenn Sie den CR88V an Ihre Videokamera oder Ihr Audiogerät anschließen.
- 10. Regler VOL/PWR** – Dieser Drehregler steuert den Pegel des Receiver-Ausgangs und schaltet den CR88V an und aus. Drehen Sie den Regler im Uhrzeigersinn, um das System einzuschalten. Drehen Sie den Regler gegen den Uhrzeigersinn bis er klickt, um das System auszuschalten.
- 11. Zubehörschuhadapter** – Verwenden Sie diesen Zubehörschuhadapter mit Einrastfunktion, um den CR88V an einem Blitz- oder Zubehörschuh zu befestigen.
- 12. Kopfhörerausgang** – Schließen Sie einen Stereokopfhörer an diese Standard-Miniklinkenbuchse (1/8 Zoll (3,5 mm)) an, um das Signal zu überwachen, das vom CR88V ausgegeben wird. Empfohlen wird die Verwendung von 30 Ohm-Kopfhörern. Der Pegel des Kopfhörersignals kann durch Einstellen des Reglers Headphone LEVEL angepasst werden.



CB88 Belt Pack Transmitter – Beschriftungen

1. **Steckverbinder Input** – schließen Sie das Eingabegerät mithilfe des Mini-XLR-Steckverbinders an. Im Lieferumfang des CB88 ist ein Lavalier-Mikrofon enthalten.

2. **Anzeige Status** – Dieses LED zeigt den Betriebsmodus:

GRÜN	Normalbetrieb
ROT	Stumm
GRÜN blinkend	Niedriger Batterie- riestand

3. **Schalter Power/Mute** – Drücken und halten, um die Einheit ein- oder auszuschalten. Drücken und loslassen, um den Transmitter stummzuschalten oder die Stummschaltung aufzuheben.

4. **Gürtelclip** – Befestigen Sie den CB88-Transmitter an einem Gürtel- oder Gitarrenriemen.

5. **Batterieabdeckung öffnen** – Beide Seiten nach innen drücken und zurückziehen, um die Batterieabdeckung des CB88V zu öffnen.

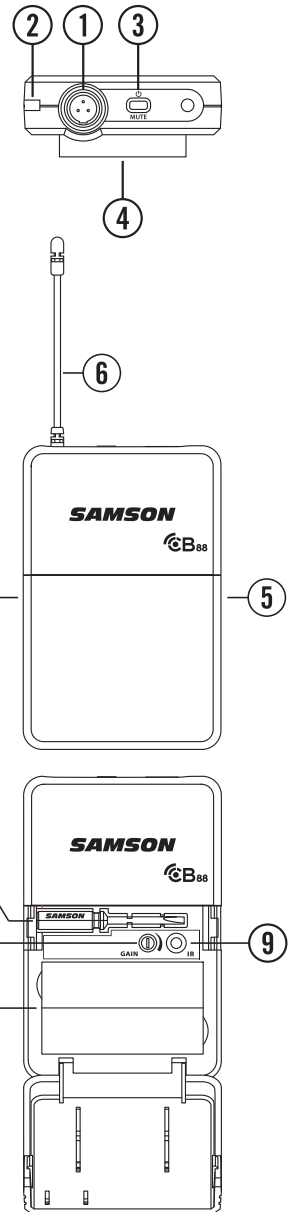
6. **Antenne** – Diese dauerhaft befestigte Transmitterantenne sollte während des normalen Betriebs komplett ausgezogen sein.

7. **Regler Input GAIN** – Dieser Regler passt die Eingangsempfindlichkeit des Transmitters so an, dass er mit Mikrofon- und Instrumenteneinspeisungen funktioniert. Für optimale Leistung verwenden Sie den mitgelieferten Schraubendreher, bringen den Regler Input GAIN in eine Position, bei der die Maximum-Anzeige des CR88V Audio Meter bei hohen Pegeln beginnt aufzuleuchten, und drehen ihn dann langsam herunter, bis die Maximum-Anzeige aufhört, zu leuchten.

8. **Batteriehalterung** – Legen Sie zwei Standard-AA (LR6)-Batterien ein und achten Sie dabei auf die Markierungen für die Plus- und Minuspole. Es können zwar auch wiederaufladbare Ni-Cad-Batterien verwendet werden, diese Sorgen jedoch höchstens 4 Stunden lang für eine adäquate Stromversorgung. **WARNUNG:** Setzen Sie die Batterien nicht verkehrt herum ein; dies kann den CB88 schwer beschädigen, und Ihre Gewährleistung erlischt.

9. **IR-Linse** – Dieses Fenster wird dafür verwendet, das Signal, das der CR88V während IR SET sendet, aufzufangen, um den Transmitter zu kanalisieren.

10. **Kunststoffschraubendreher** – Für die Einstellung des Reglers Input GAIN (#7) am CB88.



CH88 Handheld Transmitter – Beschriftungen

1. **Anzeige Status** – Dieses LED zeigt den Betriebsmodus:

GRÜN	Normalbetrieb
ROT	Stumm
GRÜN blinkend	Niedriger Batterie-riestand

2. **Schalter Power/Mute** – Drücken und halten, um die Einheit ein- oder auszuschalten. Drücken und loslassen, um den Transmitter stummzuschalten oder die Stummschaltung aufzuheben.

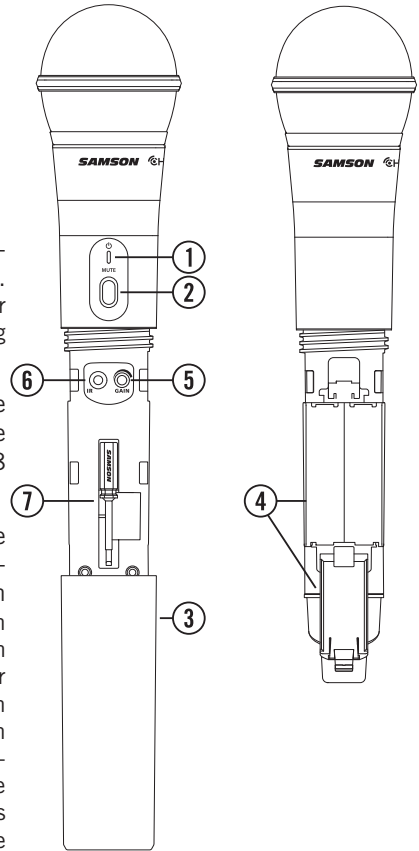
3. **Batterieabdeckung** – Schrauben Sie die Batterieabdeckung auf und schieben Sie sie nach unten, um das Batteriefach des CH88 zu öffnen.

4. **Batteriehalterung** – Öffnen Sie die Batteriehalterung, indem Sie die Taste drücken und die Abdeckung anheben. Legen Sie zwei Standard-AA (LR6)-Batterien ein und achten Sie dabei auf die Markierungen für die Plus- und Minuspole. Es können zwar auch wiederaufladbare Ni-Cad-Batterien verwendet werden, diese Sorgen jedoch höchstens 4 Stunden lang für eine adäquate Stromversorgung. **WARNUNG:** Setzen Sie die Batterien nicht verkehrt herum ein; dies kann den CH88 schwer beschädigen, und Ihre Gewährleistung erlischt.

5. **Regler Input GAIN** – Diese Regler stellt die Empfindlichkeit des Transmittereingangs ein. Für optimale Leistung verwenden Sie den mitgelieferten Schraubendreher, bringen den Regler Input GAIN in eine Position, bei der die Maximum-Anzeige des CR88V Audio Meter bei hohen Pegeln beginnt aufzuleuchten, und drehen ihn dann langsam herunter, bis die Maximum-Anzeige aufhört, zu leuchten.

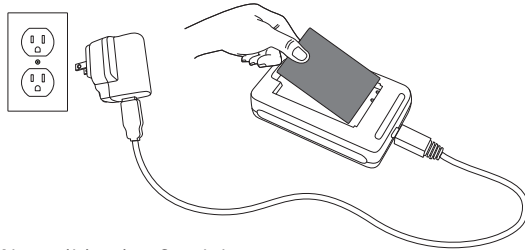
6. **IR-Linse** – Dieses Fenster wird dafür verwendet, das Signal, das der CR88V während IR SET sendet, aufzufangen, um den Transmitter zu kanalisieren. Die Batterieabdeckung muss offen sein, und die IR-Linse muss in Richtung des Receivers gerichtet sein, um den gewählten Kanal zu laden.

7. **Kunststoffschraubendreher** – Für die Einstellung des Reglers Input GAIN am CB88 (Siehe #5 Input GAIN Control HH).

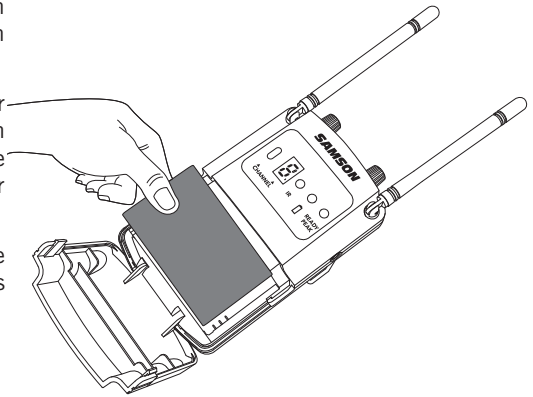


Akku (wiederaufladbare Batterie)

1. Schieben Sie den Akku in die Ladestation, und vergewissern Sie sich, dass er sicher befestigt ist.
2. Stecken Sie das im Lieferumfang enthaltene USB-Kabel in die Ladestation und in das Netzteil.



3. Stecken Sie das Netzteil in eine Steckdose.
4. Der Akku beginnt, sich aufzuladen, und die Statusleuchte blinkt.
5. Wenn der Akku voll aufgeladen ist, leuchtet das Anzeigelämpchen permanent.
6. Um den Akku in den Receiver CR88V einzusetzen, öffnen Sie das Batteriefach, indem Sie die Riegel auf beiden Seiten der Batterieklappe zurückschieben.



7. Setzen Sie den Akku ein. Bitte achten Sie beim Einsetzen des Akkus auf die korrekte Polarität.
8. Schließen Sie das Batteriefach.

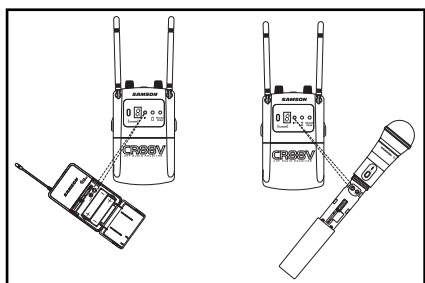
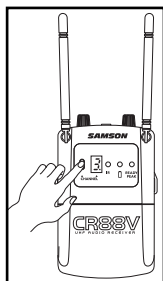
Wie Sie den Akku optimal nutzen:

- Akkus vor der ersten Verwendung vollständig aufladen
- Laden Sie den Akku vor der ersten Verwendung voll auf.
- Wenn der Akku geladen ist, ziehen Sie die Ladestation aus der Steckdose oder entfernen Sie den Akku aus der Ladestation.
- Der optimale Temperaturbereich für die Verwendung und Lagerung des Akkus ist 30 °C – 50 °C (50 °F – 86 °F). Bei Temperaturen unter 50 °F (30 °F) (10 °C (-1 °C)) können Batterieleistung und -betriebsdauer abnehmen.
- Um die Akkulebenszeit zu verlängern, nehmen Sie den Akku bei Nichtverwendung aus dem CR88V.

Schnellanleitung

Damit Ihr Kabelloses System korrekt funktioniert, müssen Receiver und Transmitter auf denselben Kanal eingestellt sein. Gehen Sie bei Einrichtung und Verwendung Ihres kabellosen Systems Concert 88 Camera nach diesem einfachen Verfahren vor:

1. Montieren Sie den Receiver CR88V dort, wo er verwendet werden wird, und ziehen Sie die Antennen vertikal aus. Die Daumenregel ist, zwischen Receiver und Transmitter Sichtverbindung beizubehalten, so dass die Person, die den Transporter verwendet oder trägt, den Receiver sehen kann.
2. Wenn der CR88V abgeschaltet ist, setzen Sie den Akku ein. Sie den CR88V kurz an, um sich zu vergewissern, das die Einheit mit Strom versorgt wird. Dann schalten Sie den CR88V ab.
3. Schalten Sie Ihre Kamera aus und verbinden Sie die Ausgangsbuchse des Receivers CR88V mit dem Audioeingang der Kamera; verwenden Sie dafür den 3,5 mm (1/8 Zoll)-Ausgang des Receivers. Drehen Sie den Regler VOL/PWR am CR88V gegen den Uhrzeigersinn, um ihn einzuschalten.
4. Schalten Sie den Transmitter aus und setzen Sie zwei frische AA-Batterien in den Transmitter CB88 für die Gürteltasche oder in den Handheld CH88. Lassen Sie das Batteriefach offen.
5. Schalten Sie den Transmitter ein, indem Sie den Power-Schalter drücken und halten; daraufhin leuchtet die LED-Anzeige grün auf.
6. Drücken und halten Sie die Taste CHANNEL des CR88V, um eine IR-Einrichtung vorzunehmen, die den Transmitter per Infrarotübertragung mit demselben Kanal wie dem des Receivers synchronisiert.
7. Positionieren Sie den Sender etwa 15 bis 30 cm (6 bis 12 Zoll) von der Vorderseite des CR88V, wobei das IR-Fenster des Transmitters auf den IR-Sender an der Frontblende des Receiver CR88V gerichtet ist.
8. Wenn die Übertragung abgeschlossen ist, empfängt der CR88V Funksignal und den Tone Key vom Transmitter. Die RF-Anzeige am CR88V wird aufleuchten und dadurch anzeigen, dass er ein Funksignal vom Transmitter empfängt.
9. Sie Ihre angeschlossene Kamera ein, aber halten Sie die Lautstärke auf der niedrigsten Stufe. Drehen Sie den Drehregler Volume (Lautstärke) am CR88V bis zum Anschlag im Uhrzeigersinn. Dies ist die Eins-Verstärkung (Unity Gain).
10. Sprechen oder singen Sie ins Mikrofon und erhöhen Sie dabei langsam die Lautstärke Ihrer Kamera, bis der gewünschte Pegel erreicht ist.
11. Gehen Sie im Performancebereich umher, um sicherzustellen, dass überall eine gleichmäßige Abdeckung gegeben ist. Falls Sie feststellen, dass das System merkliche Ausfälle hat, dass die Reichweite, in das funktioniert insgesamt reduziert ist oder es zu unerwarteten graue Spitzen kommt, ändern Sie den Vertriebskanal des Systems mithilfe der oben genannten Schritte.



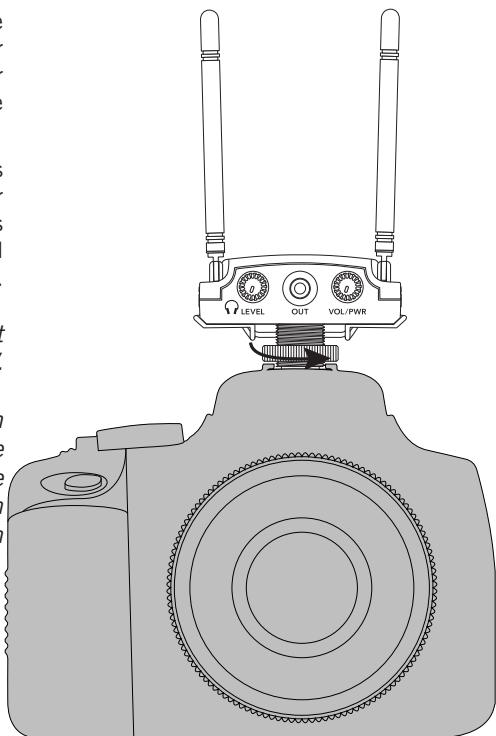
Den CR88V an eine Kamera montieren

Gehen Sie nach den folgenden Schritten vor, um den AR2 auf eine Kamera zu montieren:

1. Schieben Sie den CR88V an die Aufsatzstelle des Standardschuhs der Kamera und fixieren Sie den Receiver an dieser Stelle, indem Sie die Rändelscheibe anziehen.
2. Verbinden Sie den Audioausgang des CR88V mit dem Audioeingang der Kamera; verwenden Sie dafür das im Lieferumfang enthaltene 1/8 Zoll (3,5 mm)- oder das XLR-Kabel.

Hinweis: Der Zubehörschuh leitet keinen Strom an den Receiver CR88V.

Hinweis: Falls Ihre Kamera keinen Standardblitzschuh für die Montage hat, ist eventuell ein zusätzlicher Adapter erforderlich. Bitte informieren Sie sich immer im Benutzerhandbuch Ihrer Kamera.



ENGLISH

FRANÇAIS

DEUTSCHE

ESPAÑOL

ITALIANO

Kanalpläne

Gruppe K 470/-494 MHz		Gruppe D 542/-566 MHz		Gruppe F* 606/-630 MHz		Gruppe G* 863/-865 MHz		Gruppe L* 823/-832 MHz	
Kan	Freq	Kan	Freq	Kan	Freq	Kan	Freq	Kan	Freq
0	470,125	0	542,125	0	606,125	0	863,050	0	823,125
1	471,625	1	543,625	1	607,625	1	863,250	1	823,425
2	473,050	2	545,05	2	609,05	2	863,550	2	823,875
3	474,425	3	546,425	3	610,425	3	863,750	3	824,475
4	474,900	4	546,900	4	610,900	4	864,050	4	825,575
5	477,525	5	549,525	5	613,525	5	864,250	5	825,275
6	479,100	6	551,100	6	615,100	6	864,550	6	826,325
7	480,475	7	552,475	7	616,475	7	864,750	7	827,250
8	482,000	8	554,000	8	618,000	8	864,950	8	827,500
9	484,075	9	556,075	9	620,075			9	827,750
A	486,975	A	558,975	A	622,975			A	828,050
B	487,975	B	559,975	B	623,975			B	828,500
C	489,050	C	561,050	C	625,050			C	829,100
D	490,975	D	562,975	D	626,975			D	829,900
E	492,425	E	564,425	E	628,425			E	830,950
F	493,975	F	565,975	F	629,975			F	831,875

* Nicht zur Verwendung in den USA und in Kanada. Bei Fragen zu in Ihrem Bereich verfügbaren Kanälen werden Sie sich bitte an Ihren örtlichen Samson-Distributor.

Problembehandlung

Problem	Lösungen
Kein Audio	Vergewissern Sie sich, das sowohl Transmitter als auch Receiver angeschaltet sind.
	Stellen Sie sicher, dass die Batterien des Transmitters korrekt eingesetzt sind.
	Prüfen Sie, ob der Transmitter stummgestellt ist.
	Vergewissern Sie sich, dass der Akku des CR88V geladen und korrekt eingesetzt ist.
	Stellen Sie sicher, dass die Audioausgabekabel fest mit dem Empfänger CR88V verbunden sind.
	Sorgen Sie dafür, das Receiver und Transmitter in Sichtverbindung zueinander stehen.
	Überprüfen Sie die Pegelsteuerungen von Receiver und Audioeingangsgerät.
	Sorgen Sie dafür, das Transmitter und Receiver auf denselben Betriebskanal eingestellt sind. Falls Sie nicht sicher sind, setzen Sie den Kanal zurück, indem Sie ein IR-Set vornehmen.
Audioverzerrungen	Der Ausgangspegel des Receivers oder der Pegel des Audioeinganggerätes ist möglicherweise zu hoch.
	Überprüfen Sie die Batterien des Transmitters und ersetzen Sie sie bei niedrigem Ladestand.
	Der Input Gain von Transmitter oder Pegel der Audioquelle ist eventuell zu hoch.
Audio-Verbindungs-verlust	Der Transmitter ist möglicherweise zu weit vom Receiver entfernt. Bewegen Sie ihn näher an den Receiver, oder positionieren Sie die Antennen neu.
	Entfernen Sie jegliche Quellen, die Funk Interferenzen verursachen können, beispielsweise Handys, schnurlose Telefone, Beleuchtungsequipment, Computer, Metallstrukturen usw.
	Stellen Sie den Receiver in den obersten Bereich des Equipment-Racks oder stellen Sie ihn auf das Equipment, damit keine Hindernisse die Sichtverbindung vom Transmitter aus blockieren.
Receiver lässt sich nicht anschalten	Überprüfen Sie den Adapter, um sicherzugehen, dass er richtig angeschlossen und in eine Steckdose gesteckt ist, die Strom führt.
Transmitter lässt sich nicht anschalten	Ersetzen Sie die Transmitterbatterien.
Störende Geräusche oder Interferenzen	Falls Sie mehrere Systeme verwenden, vergewissern Sie sich, das keins der Systeme auf dem selben Kanal betrieben wird. Falls das Problem weiterhin besteht, wechseln Sie einen oder alle Kanäle des Systems.
	Falls Sie mehrere Systeme einsetzen, ordnen Sie alle Receiver derselben Gruppe zu. Nehmen Sie innerhalb der Gruppe einen Kanal-Scan vor, um die optimalen Kanäle auswählen zu können.

ENGLISH

FRANÇAIS

DEUTSCHE

ESPAÑOL

ITALIANO

Technische Daten

System

Betriebsbereich	Sichtverbindung 300' (100 m)
Audiofrequenzgang	50 Hz – 15 kHz
T.H.D. (Insgesamt)	< 1 % (@AF 1 kHz, RF 46 dBu)
Dynamikumfang	>100 dB A-gewichtet
Signal-Rausch-Verhältnis	> 90 dB
Betriebstemperatur	- 10 °C (14 °F) bis + 60 °C (+ 140 °F)
Tone Key-Frequenz	32,768 kHz

CB88 Belt Pack Transmitter

Eingangs-Steckverbinder	Mini-XLR (P3)
Eingangswiderstand	1 M Ω
Spanne Eingangs-Gain	38 B
RF Power	10 mW EIRP
Anforderungen an die Energieversorgung	Zwei AA- (LR6)-Alkali-Mangan-Zellen
Batterielebensdauer	8 Stunden
Abmessungen (H x L x D)	3,75 " x 2,44 " x 0,75 "
	96 mm x 62 mm x 18,5 mm
Gewicht	0,2 lb / 93 g

CH88 Handheld Transmitter

Mikrofonelement	Dynamisch
Spanne Eingangs-Gain	28 dB
RF Power	10 mW EIRP
Anforderungen an die Energieversorgung	Zwei AA- (LR6)-Alkali-Mangan-Zellen
Batterielebensdauer	8 Stunden
Abmessungen (H x \emptyset)	10,23 " x 2,1"
	260 mm x 54 mm
Gewicht	0,48 lb / 218 g

CR88V Receiver

Ausgangs-Steckverbinder	3,5 mm (1/8 Zoll) mit Einrastfunktion
Audioausgangspegel	+ 9 dBu
Audioausgangsimpedanz	1 k Ω
Kopfhörer-Steckverbinder	3,5 mm (1/8 Zoll)
Kopfhörerausgangsimpedanz	16 k Ω
Empfindlichkeit	- 100 dBm / 30 dB sinad
Spiegelfrequenzunterdrückung	> 50 dB
Betriebsspannung	3,7 VDC
Stromaufnahme	120 mA
Batterie	3,7 V / 1050 mAh Lithium-Ionen
Abmessungen (L x W x H)	4,33 " x 2,55 " x 0,86 "
	110 mm x 65 mm x 22 mm
Gewicht	0,92 lb / 92 g

Wir bei Samson verbessern unsere Produkte ständig, daher unterliegen Spezifikationen und Bilder dem Vorbehalt der unangekündigten Änderung.

R&TTE Konformitätserklärung

Gemäß **EN ISO 17050/2005**,

Wir, Samson Technologies Corporation, mit dem Stammsitz 45 Gilpin Ave, Hauppauge, NY 11788, USA erklären unter unseren eigenen Verantwortung, dass die Produkte:

Produktname: Concert 88 Camera Wireless Microphone

Handelsname: Samson

Typ oder Modell: CR88V (Receiver), CH88 (Handheld Transmitter), CB88 (Belt Pack Transmitter)

mit den wesentlichen Anforderungen der folgenden EG-Richtlinie(n) konform sind, wenn Sie gemäß den in der Produktdokumentation enthaltenen Installationsanweisungen installiert werden:

2006/95/EC – LVD Directive (Niederspannungsrichtlinie)

2004/108/EC – EMC Directive (EMV-Richtlinie)

1999/5/EC – R&TTE Directive (R&TTE-Richtlinie)

Das Produkt ist konform mit den folgenden Standards und/oder anderen normativen Dokumenten:

EN60065:2014

Audio-, Video- und ähnliche elektronische Geräte – Sicherheitsanforderungen

EN301 489-1 V1.9.2

Allgemeine technische Anforderungen.

EN301 489-9 V1.4.1

Spezifische Bedingungen für kabellose Mikrofone, ähnliche Funkgeräte zur Übertragung von Audiosignalen, kabellose Audio- und In-Ohr-Mithörgeräte

EN300 422-1 V1.5.1

Technische Charakteristika und Methoden.

EN300 422-2 V1.4.1

Harmonisierte EN, die wesentlichen Anforderungen nach Art. 3.2 der R&TTE-Richtlinie enthält

EN62479:2010

Harmonisierte EN, die wesentlichen Anforderungen nach Art. 3.1a der R&TTE-Richtlinie enthält

Jahr des CE-Kennzeichens (Niederspannungsrichtlinie): 2015

Identifizierungsmarke: **0197** (*Nummer der benannten Stelle*)

Dieses Equipment wird auch den Equipment Identifier Klasse 2 tragen:

Unterschrift im Namen des Herstellers:

Bevollmächtigter:

Position:

Datum :



Douglas Bryant

Vice President Engineering

05.12.2015

CE 0197

Hiermit erklärt Samson Technologies Corp., dass diese CR88V, CH88, CB88 die Bestimmungen hinsichtlich der wesentlichen Anforderungen und weiterer relevanter Vorgaben der Richtlinie 1999/5/EC erfüllt. Die Konfirmationserklärung kann unter folgender Adresse eingesehen werden:

www.samsontech.com/samson/products/wireless-systems/concert-88/concert88camera-hh/#downloads-and-manuals-tab

Información importante sobre seguridad

1. Lea estas instrucciones.
2. Guarde estas instrucciones.
3. Preste atención a todas las advertencias.
4. Siga todas las instrucciones.
5. No use este aparato cerca del agua.
6. Limpie únicamente con un paño seco.
7. No obstruya ninguna abertura de ventilación. Instale de conformidad con las instrucciones del fabricante.
8. No instale cerca de ninguna fuente de calor, como radiadores, rejillas de calefacción, estufas u otros aparatos (incluyendo amplificadores) que produzcan calor.
9. No anule el propósito de seguridad del enchufe polarizado o de tipo de conexión a tierra. Un enchufe polarizado tiene dos patillas, siendo una más ancha que la otra. Un enchufe de tipo de conexión a tierra tiene dos patillas y una tercera clavija de conexión a tierra. La patilla ancha o la tercera clavija se proporcionan para su seguridad. Si el enchufe que se proporciona no encaja en su toma de corriente, consulte a un electricista para sustituir la toma obsoleta.
10. Evite pisar o pellizcar el cable de alimentación, en especial en los enchufes, los receptáculos y en el punto de donde salen del aparato.
11. Use únicamente conexiones/accesorios especificados por el fabricante.
12. Use únicamente con el carro, soporte, trípode, abrazadera o mesa que especifique el fabricante o que se haya vendido junto con el aparato. Cuando se utilice un carro, tenga precaución cuando mueva la combinación de carro/aparato para evitar daños producidos por posibles vuelques.
13. Desenchufe el aparato durante las tormentas eléctricas o cuando no vaya a utilizarse durante largos períodos de tiempo.
14. Encargue todas las reparaciones a personal cualificado. Las reparaciones son necesarias cuando el aparato ha resultado dañado en cualquier forma; por ejemplo, si el enchufe o el cable de alimentación están dañados, se han derramado líquidos o han caído objetos en el interior del aparato, si ha estado expuesto a lluvia o humedad, no funciona con normalidad, o se ha dejado caer.
15. No se debe exponer este aparato a gotas o salpicaduras de agua, ni depositar objetos que contengan líquido, como vasos, encima del aparato.
16. Precaución - Para evitar descargas eléctricas, inserte completamente la patilla ancha del enchufe en la toma de corriente.
17. Por favor, mantenga un entorno bien ventilado en los alrededores de la unidad al completo.
18. El adaptador de conexión directa se utiliza como dispositivo de conexión; el dispositivo de conexión deberá ser fácilmente accesible.
19. Las pilas (el pack de pilas o las pilas instaladas) no deberán ser expuestas al calor excesivo, como la luz solar, fuego o similares.



PRECAUCIÓN: PARA REDUCIR EL RIESGO DE DESCARGA ELÉCTRICA, NO RETIRE LA CUBIERTA (O PARTE TRASERA). NO HAY EN SU INTERIOR PIEZAS QUE EL USUARIO PUEDA REPARAR. ENCARGUE CUALQUIER REPARACIÓN A PERSONAL DE SERVICIO CUALIFICADO.

ATENCIÓN: RISQUE D'ÉLECTROCUTION! NE PAS OUVRIR!



Este símbolo de un relámpago con punta de flecha dentro de un triángulo equilátero está destinado a alertar al usuario de la presencia de "voltaje peligroso" no aislado dentro de la caja del producto que puede ser de la suficiente magnitud como para constituir un riesgo de descarga eléctrica.



El signo de exclamación dentro de un triángulo equilátero está destinado a alertar al usuario de la presencia de instrucciones importantes de funcionamiento y mantenimiento en la documentación que se adjunta con el aparato.

ADVERTENCIA: PARA EVITAR EL PELIGRO DE INCENDIO O DESCARGA ELÉCTRICA. NO UTILICE ESTE ENCHUFE CON UN CABLE DE EXTENSIÓN, RECEPTÁCULO U OTRA TOMA DE CORRIENTE A MENOS QUE LAS PATILLAS PUEDAN INSERTARSE COMPLETAMENTE, CON OBJETO DE EVITAR QUE LAS PATILLAS QUEDEN EXPUESTAS. PARA EVITAR EL PELIGRO DE INCENDIO O DESCARGA ELÉCTRICA. NO EXPONGA ESTE APARATO A LA LLUVIA O LA HUMEDAD. PARA EVITAR DESCARGAS ELÉCTRICAS, INSERTE COMPLETAMENTE LA PATILLA ANCHA DEL ENCHUFE EN LA TOMA DE CORRIENTE.

Información importante sobre seguridad

Normas y reglamentos de la FCC

Los receptores inalámbricos Samson están certificados en virtud del epígrafe 15 de las normas de la FCC, y los transmisores están certificados en virtud del epígrafe 74 de las normas de la FCC.

El licenciado del equipo de Samson es responsabilidad del usuario, y la concesión de licencias depende de la clasificación del usuario, la aplicación y la frecuencia seleccionada.

NOTA: Este equipo ha sido sometido a pruebas y se ha encontrado que cumple con los límites para un dispositivo digital de Clase B, de conformidad con el epígrafe 15 de las normas de la FCC. Estos límites están diseñados para proporcionar protección razonable contra interferencias perjudiciales en una instalación residencial. Este equipo genera, usa y puede radiar energía de radiofrecuencia y, de no instalarse y ser usado de acuerdo con las instrucciones, podría provocar interferencias perjudiciales a las radiocomunicaciones. No obstante, no se garantiza que las interferencias no puedan ocurrir en una instalación en particular. Si el equipo provoca interferencias perjudiciales en la recepción de radio o televisión, lo cual puede determinarse encendiendo y apagando el equipo, se anima al usuario a que trate de corregir la interferencia adoptando una o más de las siguientes medidas:

- Reoriente o cambie de ubicación la antena receptora.
- Aumente la separación entre el equipo y el receptor.
- Conecte el equipo a una toma de corriente en un circuito diferente a aquel al que está conectado el receptor.
- Si necesita ayuda, consulte a su vendedor o a un técnico de radio/TV con experiencia.

Este dispositivo cumple con el epígrafe 15 de las normas de la FCC. Su operación está sujeta a las dos condiciones siguientes:

- (1) este dispositivo no debe provocar interferencias perjudiciales, y
- (2) este dispositivo debe aceptar cualquier interferencia recibida, incluyendo interferencias que puedan causar un funcionamiento no deseado.

ADVERTENCIA: Cualquier cambio o modificación no aprobada de forma expresa por la parte responsable del cumplimiento podría anular la autoridad del usuario para manejar el equipo.

Este dispositivo cumple con la norma RSS-210 de la Industria y Ciencia de Canadá. Su operación está sujeta a las dos condiciones siguientes:

- (1) este dispositivo no debe provocar interferencias perjudiciales, y
- (2) este dispositivo debe aceptar cualquier interferencia recibida, incluyendo interferencias que puedan causar un funcionamiento no deseado.

Este equipo está previsto para ser usado en aplicaciones de microfonía inalámbrica.

Este equipo está destinado a ser comercializado en: AT, BE, CH, CY, CZ*, DK, EE, FI*, FR*, DE*, GR*, HU, IE, IS, IT, LV, LT*, LU, MT*, NL, NO*, PL* PT, RO, SK, SI, ES, SE, UK

*Sujeto a licencia. Por favor, póngase en contacto con su autoridad nacional en materia de frecuencias para recibir información acerca del uso legal disponible en su área. Cualquier cambio o modificación no aprobada expresamente por Samson Technologies Corp. podría anular su autoridad para hacer funcionar el equipo.



Si desea desechar este producto, no lo mezcle con los residuos domésticos de tipo general. Existe un sistema de recogida por separado para los productos electrónicos, de conformidad con la legislación que requiere un tratamiento, recuperación y reciclaje adecuados.

Los domicilios particulares de los 28 estados miembro de la UE, y de Suiza y Noruega, pueden devolver sus productos electrónicos usados sin cargo alguno en instalaciones de recogida designadas o a un vendedor (en caso de que usted comprara uno nuevo similar).

Para los Países no mencionados arriba, por favor, póngase en contacto con sus autoridades locales para informarse sobre un método de eliminación correcto.

Haciéndolo así, tendrá la seguridad de que su producto desechado se somete al tratamiento, recuperación y reciclaje necesarios y, de esta manera, evitará efectos potencialmente negativos en el entorno y la salud humana.

Introducción

Felicidades por adquirir el sistema inalámbrico Concert 88 Camera de Samson. El sistema Concert 88 Camera es la solución ideal para la recogida electrónica de noticias (REN), la transmisión y las aplicaciones videográficas. De manejo sencillo, con 16 canales disponibles e infrarrojos configurados para el canal del transmisor, el sistema Concert 88 Camera puede ponerse rápidamente a funcionar recién salido de su caja. El receptor CR88V utiliza una pila recargable de iones de litio y puede montarse directamente a un soporte de cámara.

En estas páginas encontrará una descripción detallada de las características del sistema inalámbrico Concert 88 Camera, instrucciones paso a paso para su configuración y uso, y especificaciones completas. Si su sistema inalámbrico se adquirió en los Estados Unidos, encontrará también una tarjeta de garantía incluida. No olvide seguir las instrucciones, de modo que pueda recibir asistencia técnica y para que en el futuro podamos enviarle información actualizada acerca de este y de otros productos Samson. Asegúrese también de visitar nuestro sitio web (www.samsontech.com) para obtener información completa de toda nuestra línea de productos.

Le recomendamos que conserve los siguientes registros como referencia, además de una copia de su recibo de compra.

Número de serie del transmisor y receptor: _____

Fecha de compra: _____

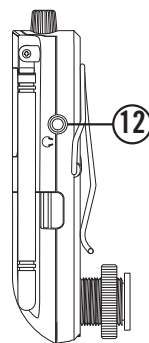
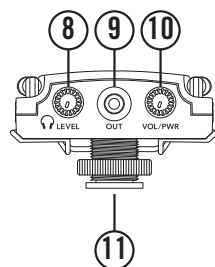
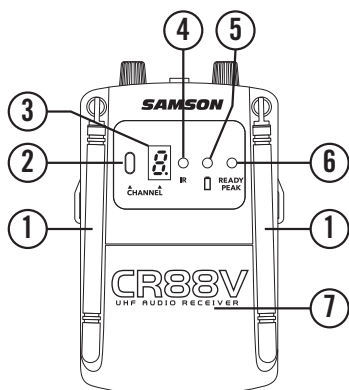
Con un cuidado y mantenimiento adecuados, su sistema inalámbrico Concert 88 Camera funcionará sin problemas durante muchos años. En el caso de que su sistema inalámbrico necesitara ser reparado, deberá obtener un número de autorización de devolución (Return Authorization, RA) antes de expedir su unidad a Samson. Sin este número, su unidad no será aceptada. Por favor, llame a Samson al 1-800-3SAMSON (1-800-372-6766) para obtener un número de RA antes de expedir su unidad. Por favor, conserve los materiales del embalaje original y, si es posible, devuelva la unidad en su caja de cartón original. Si su sistema Concert 88 fue adquirido fuera de los Estados Unidos, póngase en contacto con su distribuidor local para conocer detalles acerca de la garantía e información sobre reparaciones.

Características del sistema

- Sistema inalámbrico profesional optimizado para su uso en aplicaciones de REN y vídeo.
- Compatible con videocámaras HD y cámaras DSLR
- Hasta ocho sistemas simultáneos por banda de frecuencia (dependiendo de la región)
- Su tecnología True Diversity maximiza el rango activo (hasta 300 pies) y reduce potenciales interferencias
- 16 canales disponibles funcionando en la banda UHF, diseñados para una máxima compatibilidad del sistema en la misma ubicación sin interferencia
- El receptor puede usarse de forma autónoma o montado a una cámara usando el adaptador de soporte integral
- Su sistema de código de tonos y autosilenciado asegura un funcionamiento libre de interrupciones, al permitir que únicamente el sonido del transmisor pase a través del receptor, y silenciando la salida si hay alguna interferencia
- Hasta 12 horas de duración de la pila, incluyendo el uso de una pila de iones de litio
- Alcance de hasta 300 pies (línea visual)

Receptor CR88V - Leyendas de la parte frontal

- 1. Antenas** - Los soportes de la antena permiten una rotación completa para una colocación óptima. Durante el funcionamiento normal, ambas antenas deberán estar colocadas en posición vertical. Ambas antenas pueden plegarse hacia dentro para una mayor comodidad al transportar el CR88V.
- 2. Botón CHANNEL (canal)** - Pulse este botón para desplazarse a través de los canales disponibles del receptor. Mantenga pulsado este botón para enviar la información del canal al transmisor mediante transmisión por infrarrojos.
- 3. Visualizador LED** - El visualizador LED de 7 segmentos muestra el canal del receptor que en ese momento está en funcionamiento. Los canales del CR88V se indican con 0-9 y A-F.
- 4. Transmisor IR** - Durante "IR SET" (ajuste de IR), se utiliza una luz infrarroja para establecer el canal transmisor.
- 5. Indicador de carga de la pila** - Este indicador está iluminado en verde cuando la pila está cargada e iluminado en rojo cuando la carga de la pila es baja.
- 6. Indicador READY/PEAK (listo/pico)** - Este indicador está iluminado en verde cuando la CR88V está recibiendo señal de RF y el sistema está listo para ser usado, e iluminado en rojo cuando la señal de audio transmitida está sobrecargada.
- 7. Tapa de la pila** - Presione ambos lados y tire hacia atrás para abrir la tapa de la pila de la CR88V. Inserte las pilas de litio recargables que se incluyen. Para más información, por favor, lea la sección correspondiente a la Pila recargable en la página 9.
- 8. Control de LEVEL (nivel) de auriculares** - Esta perilla ajusta el nivel de la señal de audio enviada a la salida de auriculares.
- 9. Conector OUT (salida)** - Use este miniconector bloqueable de 1/8" (3,5 mm) cuando conecte la CR88V a su videocámara o dispositivo de audio.
- 10. Control VOL/PWR** - Esta perilla giratoria controla el nivel de la salida del receptor y enciende y apaga la CR88V. Gire la perilla hacia la derecha para encender el sistema. Gire la perilla hacia la izquierda hasta que emita un clic para apagar el sistema.
- 11. Adaptador de soporte** - Use este soporte bloqueable para acoplar el CR88V a una garra o zapata.
- 12. Salida de auriculares** - Conecte unos auriculares estéreo a este miniconector estándar de 1/8" (3,5 mm) para escuchar y controlar la señal de audio que sale de la CR88V. Recomendamos el uso de auriculares de 30 ohmios. El nivel de la señal de los auriculares puede establecerse ajustando el control LEVEL de los auriculares.



ENGLISH

Français

DEUTSCHE

ESPAÑOL

ITALIANO

Transmisor de cintura CB88 - Leyendas

1. **Conector de entrada** - Conecte el dispositivo de entrada mediante el conector mini-XLR. El CB88 se suministra con un micrófono de corbata.

2. **Indicador de estado** - Este LED muestra el modo de operación:

VERDE	Funcionamiento normal
ROJO	Silenciado
VERDE parpadeante	Baja carga de la pila

3. **Interruptor Power/Mute (alimentación/silenciamiento)** - Mantenga pulsado para encender y apagar la unidad. Pulse y suelte para activar o desactivar la función de silenciamiento del transmisor.

4. **Clip de cintura** - Use este clip para sujetar el transmisor CB88 a un cinturón o una correa de guitarra.

5. **Apertura de la tapa de la pila**- Presione ambos lados y tire hacia atrás para abrir la tapa de la pila del CB88.

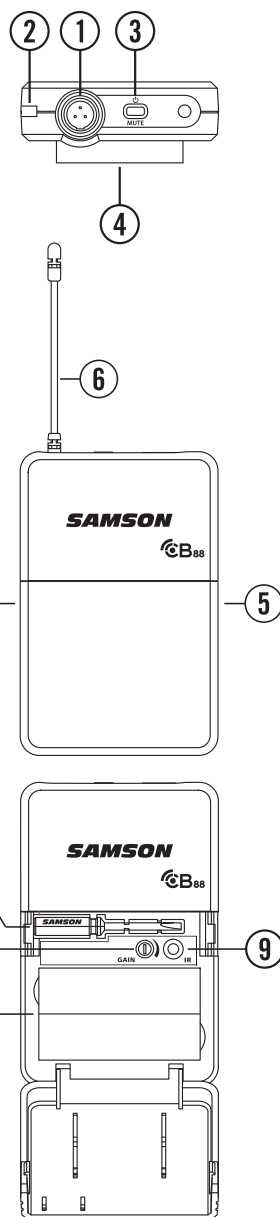
6. **Antena** - Esta antena de transmisión permanentemente acoplada puede extenderse completamente durante el funcionamiento normal.

7. **Control GAIN (ganancia) de entrada** - Este control ajusta la sensibilidad de entrada del transmisor para que funcione con entradas de micrófono e instrumentos. Para un rendimiento óptimo, utilizando el destornillador que se incluye ajuste el control GAIN (ganancia) de entrada hasta donde vea que el indicador de valor máximo del Medidor de Sonido del CR88V se empieza a iluminarse en los niveles altos; a continuación, gire lentamente para reducir hasta que el indicador de valor máximo deje de estar iluminado.

8. **Soporte de la pila**- Inserte aquí dos pilas AA (LR6) estándar, asegurándose de respetar los indicadores de polaridad (+/-) que se muestran. Aunque es posible utilizar pilas recargables de níquel-cadmio, estas no suministran una corriente adecuada durante más de cuatro horas. **ADVERTENCIA:** No inserte las pilas al revés, hacerlo podría provocar graves daños al CB88 e invalidaría su garantía.

9. **Lente IR** - Esta ventana se usa para capturar la señal IR enviada desde el CR88V durante el IR SET (ajuste de IR) para canalizar el transmisor.

10. **Destornillador de plástico** - Diseñado para usarse en el ajuste del control GAIN (#7) de entrada del CB88.



Transmisor portátil CH88 - Leyendas

1. **Indicador de estado** - Este LED muestra el modo de operación:

VERDE	Funcionamiento normal
ROJO	Silenciado
VERDE parpadeante	Baja carga de la pila

2. **Interruptor Power/Mute (alimentación/silenciamiento)** - Mantenga pulsado para encender y apagar la unidad. Pulse y suelte para activar o desactivar la función de silenciamiento del transmisor.

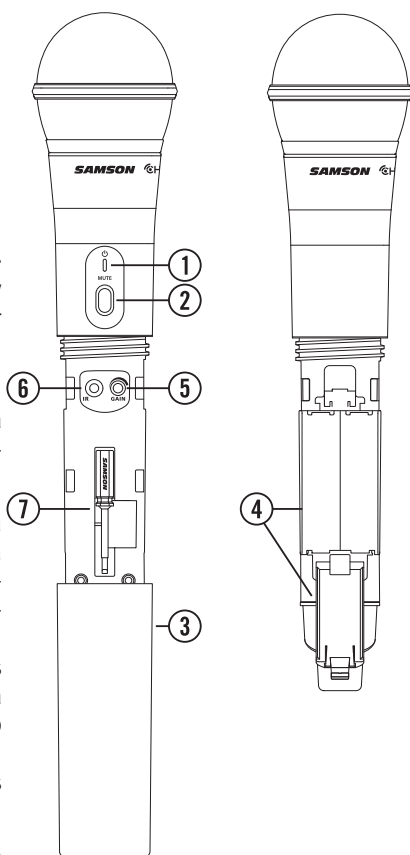
3. **Tapa de la pila** - Desatornille la tapa de la pila y deslice hacia abajo para abrir el compartimento para pilas del CH88.

4. **Soporte de la pila** - Abra el soporte de la pila pulsando la pestaña y levantando la tapa. Inserte aquí dos pilas AA (LR6) estándar, asegurándose de respetar los indicadores de polaridad (+/-) que se muestran. Aunque es posible utilizar pilas recargables de níquel-cadmio, estas no suministran una corriente adecuada durante más de cuatro horas. **ADVERTENCIA:** No inserte las pilas al revés, hacerlo podría provocar graves daños al CH88 e invalidaría su garantía.

5. **Control GAIN (ganancia) de entrada** - Este control ajusta la sensibilidad de entrada del transmisor. Para un rendimiento óptimo, utilizando el destornillador que se incluye ajuste el control GAIN (ganancia) de entrada hasta donde vea que el indicador de valor máximo del Medidor de Sonido de la CR88V se empieza a iluminarse en los niveles altos; a continuación, gire lentamente para reducir hasta que el indicador de valor máximo deje de estar iluminado.

6. **Lente IR** - Esta ventana se usa para capturar la señal IR enviada desde el CR88V durante el IR SET (ajuste de IR) para canalizar el transmisor. La tapa de la pila debe estar abierta y la Lente IR debe estar orientada hacia el receptor para cargar el canal seleccionado.

7. **Destornillador de plástico** - Diseñado para usarse en el ajuste del control GAIN (vea #5 Control GAIN de entrada HH).



ENGLISH

FRANÇAIS

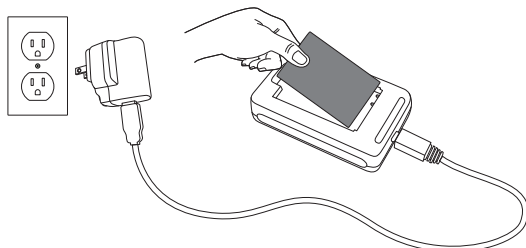
DEUTSCHE

ESPAÑOL

ITALIANO

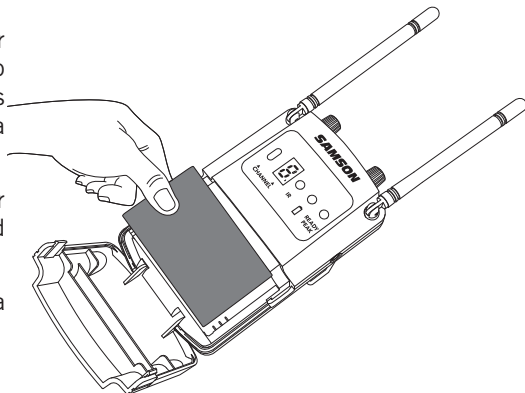
Pila recargable

1. Deslice la pila en el cargador y asegúrese de que está acoplada de manera segura.
2. Conecte el cable USB incluido en el cargador y el adaptador CA.
3. Enchufe el adaptador CA a una toma de corriente.



4. La pila se empezará a cargar y la luz indicadora de estado parpadeará.
5. Cuando la pila esté completamente cargada, la luz indicadora permanecerá encendida.

6. Para instalar la pila en el receptor CR88V, abra el compartimento para pilas presionando los pestillos a ambos lados de la tapa.



7. Inserte el pack de pilas. Por favor, respete la polaridad correcta cuando inserte la pila.
8. Cierre el compartimento para pilas.

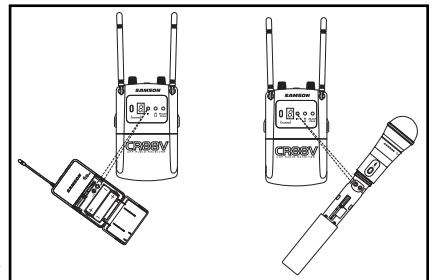
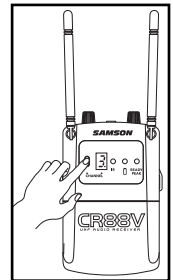
Cómo aprovechar al máximo las pilas recargables:

- Cargue completamente las pilas antes de su primer uso
- Cargue del todo la pila antes de que vaya a usarse.
- Después de haber cargado la pila, desenchufe el cargador de la toma de corriente o retire la pila del cargador.
- La franja de temperatura óptima para usar y almacenar la pila es de 50°F - 86°F (30°C - 50°C). El rendimiento y el funcionamiento de la pila pueden disminuir a temperaturas inferiores a 50°F (30°F).
- Para extender la vida útil de la pila, retire la pila del CR88V cuando no se esté utilizando.

Inicio rápido

Para que su sistema inalámbrico funcione correctamente, tanto el receptor como el transmisor deben estar ajustados al mismo canal. Siga este procedimiento básico para configurar y usar su sistema inalámbrico Concert 88 Camera:

1. Instale el receptor CR88V donde vaya a ser utilizado y extienda la antena verticalmente. La regla general es mantener “línea visual” entre el receptor y el transmisor, de manera que la persona que esté usando o portando encima el transmisor pueda ver el receptor.
2. Con el CR88V apagado, inserte la pila. Encienda el CR88V momentáneamente para confirmar que la unidad esté recibiendo alimentación. Después apague el CR88V.
3. Con su cámara apagada, conecte la salida del receptor del CR88V a la entrada de audio de la cámara usando la salida de 1/8” del receptor. Gire hacia la derecha la perilla VOL/PWR del CR88V para que reciba alimentación.
4. Con el transmisor apagado, instale dos pilas AA nuevas en el transmisor de cintura CB88 o el transmisor portátil CH88. Deje abierto el compartimento para pilas.
5. Encienda el transmisor manteniendo pulsado el interruptor Power (alimentación); el indicador LED se iluminará en verde.
6. Mantenga pulsado el botón CHANNEL (canal) del CR88V para ejecutar un ajuste de IR, el cual sincronizará el transmisor al mismo canal que el receptor mediante transmisión de infrarrojos.
7. Coloque el transmisor a una distancia aproximada de 6”-12” (15cm-30cm) de la parte frontal del CR88V con la ventana de IR del transmisor orientada hacia el transmisor de IR del panel delantero del receptor CR88V.
8. Cuando la transmisión se haya completado, el CR88V recibirá señales de RF y el código de tonos del transmisor. El medidor de RF del CR88V se iluminará, indicando que está recibiendo señal inalámbrica procedente del transmisor.
9. Encienda su cámara conectada, pero mantenga el volumen completamente al mínimo. Ajuste la perilla de volumen del CR88V totalmente hacia la derecha. Esta es la ganancia de la unidad.
10. Hable o cante ante el micrófono mientras, lentamente, va aumentando el volumen de su cámara hasta alcanzar el nivel deseado.
11. Camine por la zona donde se va a desarrollar la actividad para asegurarse de que la cobertura es consistente en todos los lugares. Si encuentra que el sistema muestra caídas de sonido perceptibles, un rango de funcionamiento general reducido, o inesperadas ráfagas de ruido, cambie el canal operativo del sistema siguiendo los pasos ya descritos.



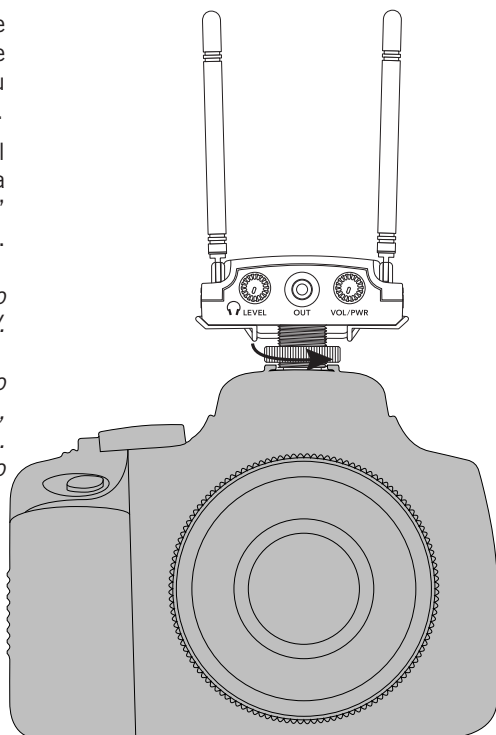
Montaje del CR88V a una cámara

Siga estos pasos para montar la AR2 sobre una cámara:

1. Deslice el CR88V en el punto de fijación (garra o zapata) estándar de la cámara y bloquee el receptor en su sitio apretando la arandela moleteada.
2. Conecte la salida de audio del CR88V a la entrada de audio de la cámara usando el conector de 1/8" (3,5mm) incluido o un cable XLR.

Nota: El adaptador de soporte no transmite energía al receptor CR88V.

Nota: Si su cámara carece de un punto de fijación estándar (garra o zapata), será necesario un adaptador adicional. Por favor, consulte la guía del usuario de su cámara.



Planes de canal

Grupo K 470-494 MHz		Grupo D 542-566 MHz		Grupo F* 606-630 MHz		Grupo G* 863-865 MHz		Grupo L* 823-832 MHz	
Ca- nal	Frecuencia	Ca- nal	Frecuencia	Ca- nal	Frecuencia	Ca- nal	Frecuencia	Ca- nal	Frecuencia
0	470,125	0	542,125	0	606,125	0	863,050	0	823,125
1	471,625	1	543,625	1	607,625	1	863,250	1	823,425
2	473,050	2	545,05	2	609,05	2	863,550	2	823,875
3	474,425	3	546,425	3	610,425	3	863,750	3	824,475
4	474,900	4	546,900	4	610,900	4	864,050	4	825,575
5	477,525	5	549,525	5	613,525	5	864,250	5	825,275
6	479,100	6	551,100	6	615,100	6	864,550	6	826,325
7	480,475	7	552,475	7	616,475	7	864,750	7	827,250
8	482,000	8	554,000	8	618,000	8	864,950	8	827,500
9	484,075	9	556,075	9	620,075			9	827,750
A	486,975	A	558,975	A	622,975			A	828,050
B	487,975	B	559,975	B	623,975			B	828,500
C	489,050	C	561,050	C	625,050			C	829,100
D	490,975	D	562,975	D	626,975			D	829,900
E	492,425	E	564,425	E	628,425			E	830,950
F	493,975	F	565,975	F	629,975			F	831,875

* *Uso no válido en EE.UU. y Canadá. Si tiene alguna pregunta acerca de los canales disponibles en su área, contacte con su distribuidor Samson local.*

ENGLISH

FRANÇAIS

DEUTSCHE

ESPAÑOL

ITALIANO

Solución de problemas

Problema	Soluciones
Sin sonido	Asegúrese de que tanto el transmisor como el receptor estén encendidos.
	Asegúrese de que las pilas del transmisor están instaladas correctamente.
	Compruebe que el transmisor no está silenciado.
	Confirme que la pila del CR88V está cargada e instalada correctamente.
	Asegúrese de que los cables de salida de audio están conectados de manera segura al receptor CR88V.
	Asegúrese de que el receptor y el transmisor están en línea visual el uno con el otro.
	Compruebe los controles del receptor y de nivel de entrada de audio al dispositivo.
	Asegúrese de que el transmisor y el receptor tienen asignado el mismo canal operativo. Si no está seguro, reinicie el canal efectuando un ajuste de IR.
Sonido distorsionado	El nivel de salida del receptor o el nivel de entrada de audio al dispositivo pueden que sean demasiado altos.
	Compruebe las pilas del transmisor, y sustitúyalas si su carga es demasiado baja.
	La ganancia de entrada del transmisor o el nivel de la fuente de sonido puede que sean demasiado altas.
Caídas de sonido	El transmisor puede que esté demasiado alejado del receptor. Acérquelo al receptor, o reubique las antenas.
	Retire cualquier fuente que pueda causar interferencias de RF, como teléfonos móviles, teléfonos inalámbricos, equipo de iluminación, ordenadores, estructuras metálicas, etc.
	Mueva el receptor al espacio superior del rack de equipo o colóquelo encima del equipo para asegurarse de que no hay obstrucciones que bloqueen la línea visual desde el transmisor.
El receptor no se enciende	Compruebe el adaptador para asegurarse de que está correctamente conectado y enchufado a una toma de corriente que suministre alimentación.
El transmisor no se enciende	Sustituya las pilas del transmisor.
Ruido o interferencia no deseados	Si está usando múltiples sistemas, asegúrese de que ninguno de los sistemas está emitiendo en el mismo canal. Si el problema persiste, cambie uno o todos los canales de los sistemas.
	Si está usando múltiples sistemas, asigne todos los receptores al mismo Grupo. Haga una exploración de canales dentro del Grupo para seleccionar los Canales óptimos.

Especificaciones

Sistema

Radio de funcionamiento	300' (100m) de línea visual
Respuesta de frecuencia de audio	50Hz - 15kHz
T.H.D. (distorsión armónica total) (Global)	<1% (@AF 1kHz, RF 46dBu)
Rango dinámico	>100dB promedio ponderado
Relación señal-ruido	>90dB
Temperatura de funcionamiento	-10°C (14°F) a +60°C (+140°F)
Frecuencia de control de tonos	32,768kHz

Transmisor de cintura CB88

Conector de entrada	Mini-XLR (P3)
Impedancia de entrada	1M Ω
Rango de ganancia de entrada	38 B
Potencia de RF	10mW EIRP
Requisitos de alimentación	Dos pilas alcalinas AA (LR6)
Vida útil de la pila	8 horas
Dimensiones (Alt.xAnch.xProf.)	3,75" x 2,44" x 0,75" 96mm x 62mm x 18,5mm
Peso	0,2lb / 93g

Transmisor portátil CH88

Elemento de micrófono	Dinámico
Rango de ganancia de entrada	28dB
Potencia de RF	10mW EIRP
Requisitos de alimentación	Dos pilas alcalinas AA (LR6)
Vida útil de la pila	8 horas
Dimensiones (Hx \emptyset)	10,23" x 2,1" 260mm x 54mm
Peso	0,48lb / 218g

Receptor CR88V

Conector de salida	1/8" bloqueable
Nivel de salida de audio	+9dBu
Impedancia de salida de audio	1k Ω
Conector de auriculares	1/8"
Impedancia de salida de auriculares	16 Ω
Sensibilidad	-100dBm / 30dB sinad
Rechazo de imagen	>50dB
Voltaje de funcionamiento	3,7VDC
Consumo de corriente	120mA
Pila	3,7V / 1050mAh iones de litio
Dimensiones (Alt.xAnch.xProf.)	4,33" x 2,55" x 0,86" 110mm x 65mm x 22mm
Peso	0,92lb / 92g

En Samson estamos continuamente mejorando nuestros productos; por lo tanto, las especificaciones e imágenes están sujetas a cambios sin previo aviso.

Declaración de conformidad con la directiva RTTE

De conformidad con EN ISO 17050:2005

Nosotros, Samson Technologies Corporation, con sede en 45 Gilpin Ave, Hauppauge, NY 11788 USA, declaramos bajo nuestra propia responsabilidad que los productos:

Nombre del producto: Micrófono inalámbrico Concert 88 Camera

Denominación comercial: amson

Tipo o Modelo: CR88V (Receptor), CH88 (Transmisor portátil), CB88 (Transmisor de cintura)

guardan conformidad con los requisitos esenciales de la(s) siguientes(s) directiva(s) de la CE, de ser instalados de acuerdo con las instrucciones de instalación contenidas en la documentación del producto:

2006/95/CE - Directiva de LVD

2004/108/CE - Directiva de EMC

1999/5/CE - Directiva de R&TTE

El producto guarda conformidad con los siguientes estándares y/u otros documentos normativos:

EN60065:2014

Audio, vídeo y aparatos electrónicos similares - Requisitos de seguridad

EN301 489-1 V1.9.2

Requisitos técnicos comunes.

EN301 489-9 V1.4.1

Condiciones específicas para micrófonos inalámbricos, equipos de emisión de audio por radiofrecuencia (RF) similares, dispositivos de monitorización en audio sin cable y con auriculares internos.

EN300 422-1 V1.5.1

Características y métodos técnicos.

EN300 422-2 V1.4.1

EN armonizada cubriendo los requisitos esenciales del artículo 3.2 de la directiva de R&TTE

EN62479:2010

EN armonizada cubriendo los requisitos esenciales del artículo 3.1a de la directiva de R&TTE

Año del marcado CE (Directiva sobre baja tensión): 2015

Marca de identificación **0197** (Número del organismo notificado)

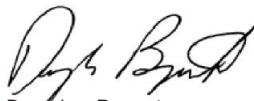
Este equipo también llevará el identificador de equipo Clase 2:

Firmado en representación del fabricante:

Representante autorizado:

Cargo:

Fecha:



Douglas Bryant

Vicepresidente de Ingeniería

12/5/2015

CE 0197

Por la presente, Samson Technologies Corp., declara que CR88V, CH88, CB88 guardan conformidad con los requisitos esenciales y otras disposiciones relevantes de la Directiva 1999/5/EC. La declaración de conformidad puede consultarse en:

www.samsontech.com/samson/products/wireless-systems/concert-88/concert88camera-hh/#downloads-and-manuals-tab

Informazioni importanti sulla sicurezza

1. Leggere queste istruzioni.
2. Conservare queste istruzioni.
3. Osservare tutte le avvertenze.
4. Seguire tutte le istruzioni.
5. Non usare l'apparecchio in prossimità di acqua.
6. Pulire esclusivamente con un panno asciutto.
7. Non bloccare le aperture di ventilazione. Installare secondo le istruzioni del costruttore.
8. Non installare in prossimità di fonti di calore come radiatori, stufe o altri apparecchi (amplificatori compresi) che producono calore.
9. Non rimuovere gli elementi di sicurezza della spina polarizzata o con messa a terra. Una spina polarizzata è dotata di due lamelle, di cui una più larga dell'altra. Una spina con messa a terra è dotata di due lamelle e un terzo contatto di terra. La lamella larga e quella di messa a terra sono dispositivi di sicurezza. Se la spina fornita non si adatta alla presa di corrente, consultare un elettricista per sostituire la presa.
10. Installare il cavo di alimentazione affinché non venga calpestato o schiacciato, in particolare in corrispondenza della spina, dalla presa e del punto di uscita dall'apparecchio.
11. Usare esclusivamente accessori raccomandati dal costruttore.
12. Usare esclusivamente con il carrello, stand, treppiede, supporto o tavolo specificato dal costruttore o venduto insieme all'apparecchio. Per l'uso con un carrello, prestare attenzione durante lo spostamento della combinazione carrello/apparecchio per evitare il rischio di ribaltamento.
13. Scollegare l'apparecchio dalla presa di corrente durante i temporali o in previsione di un lungo periodo di inutilizzo.
14. Affidare qualsiasi intervento di assistenza a personale qualificato. È necessario un intervento se l'apparecchio ha subito danni di qualsiasi tipo, ad esempio al cavo di alimentazione o alla spina, se è caduto, è stato esposto a pioggia o umidità, se al suo interno sono penetrati liquidi o oggetti, o se non funziona correttamente.
15. Non esporre l'apparecchio a schizzi o gocce d'acqua e non collocare oggetti pieni d'acqua, ad esempio vasi, sull'apparecchio.
16. Attenzione! Per evitare il rischio di scossa elettrica, inserire completamente la lamella larga nella fessura corrispondente.
17. Assicurare una buona ventilazione intorno all'intera unità.
18. L'adattatore CA è utilizzato come dispositivo di disconnessione principale, e deve rimanere sempre accessibile.
19. Non esporre le batterie (gruppo batteria o batterie installate) a calore eccessivo come luce solare, fuoco, ecc.



ATTENZIONE! PER RIDURRE IL RISCHIO DI SCOSSA ELETTRICA, NON RIMUOVERE LA COPERTURA (O IL RETRO). ALL'INTERNO NON SONO PRESENTI PARTI RIPARABILI DALL'UTENTE. AFFIDARE QUALSIASI RIPARAZIONE A PERSONALE QUALIFICATO.

ATTENZIONE RISCHIO DI SCOSSA ELETTRICA NON APRIRE



Il simbolo del fulmine con punta a forma di freccia all'interno di un triangolo equilatero indica la presenza di tensione pericolosa non isolata all'interno del prodotto di potenza tale da costituire un rischio di folgorazione.



Il punto esclamativo all'interno di un triangolo equilatero indica la presenza di istruzioni importanti sul funzionamento o la manutenzione dell'apparecchio nella documentazione fornita insieme al prodotto.

AVVERTENZA! PER PREVENIRE IL RISCHIO DI INCENDIO O SCOSSA ELETTRICA. NON USARE QUESTA SPINA CON UN CAVO DI PROLUNGA O PRESE DI ALTRO TIPO, A MENO CHE LE LAMELLE NON POSSANO ESSERE INSERITE COMPLETAMENTE PER EVITARNE L'ESPOSIZIONE. PER PREVENIRE IL RISCHIO DI INCENDIO O SCOSSA ELETTRICA. NON ESPORRE L'APPARECCHIO A PIOGGIA O UMIDITÀ. PER PREVENIRE IL RISCHIO DI SCOSSA ELETTRICA, INSERIRE COMPLETAMENTE LA LAMELLA LARGA NELLA FESSURA CORRISPONDENTE.

Informazioni importanti sulla sicurezza

Normativa FCC

I ricevitori wireless Samson sono certificati ai sensi della parte 15 della normativa FCC, e i trasmettitori sono certificati ai sensi della parte 74 della normativa FCC.

La concessione di licenze relative ad attrezzature Samson è di responsabilità dell'utente e la licenziabilità dipende dalla classificazione, dall'applicazione e dalla frequenza selezionate dall'utente.

NOTA: questo apparecchio è stato collaudato e ritenuto conforme ai limiti applicati ai dispositivi digitali di Classe B, ai sensi della parte 15 della normativa FCC. Tali limiti hanno lo scopo di garantire una ragionevole protezione contro interferenze dannose negli impianti domestici. Questo apparecchio genera, usa e può irradiare energia in radiofrequenza e, se installato e usato non conformemente alle istruzioni, può provocare interferenze dannose alle comunicazioni radio. Tuttavia, non si fornisce alcuna garanzia sull'assenza di interferenze in particolari impianti. Se l'apparecchio causa interferenze dannose alla ricezione radiofonica o televisiva, verificabili spegnendo e accendendo l'apparecchio, si invita l'utente a tentare di risolvere il problema ricorrendo a una o più delle seguenti misure:

- Riorientare o spostare l'antenna ricevente.
- Aumentare la distanza tra l'apparecchiatura e il ricevitore.
- Collegare l'apparecchio a una presa collocata su un circuito diverso da quello a cui è collegato il ricevitore.
- Contattare il rivenditore o un tecnico radio/TV per assistenza.

Questo dispositivo è conforme alla parte 15 della normativa FCC. Il funzionamento è subordinato alle due condizioni seguenti:

- (1) questo dispositivo non deve causare interferenze dannose e
- (2) questo dispositivo deve accettare qualsiasi interferenza ricevuta, comprese interferenze che possono causare un funzionamento indesiderato.

AVVERTENZA: In caso di modifiche o alterazioni al prodotto non espressamente autorizzate dall'organo responsabile della conformità, l'utente può perdere il diritto di usare il prodotto.

Questo dispositivo è conforme a RSS-210 di Industry & Science Canada. Il funzionamento è subordinato alle due condizioni seguenti:

- (1) questo dispositivo non deve causare interferenze dannose e
- (2) questo dispositivo deve accettare qualsiasi interferenza ricevuta, comprese interferenze che possono causare un funzionamento indesiderato.

Questo apparecchio è destinato all'uso in applicazioni microfoniche wireless.

L'apparecchio è destinato alla vendita in: AT, BE, CH, CY, CZ*, DK, EE, FI*, FR*, DE*, GR*, HU, IE, IS, IT, LV, LT*, LU, MT*, NL, NO*, PL* PT, RO, SK, SI, ES, SE, UK

*Soggetto a licenza. Contattare l'autorità responsabile delle frequenze nazionali per informazioni sulla liceità d'uso nella propria area. In caso di modifiche o alterazioni al prodotto non espressamente autorizzate da Samson Technologies Corp., l'utente può perdere il diritto di usare il prodotto.



Se si desidera smaltire il prodotto, non gettarlo insieme ai rifiuti domestici. Esiste un sistema di raccolta separata per gli apparecchi elettronici usati, conformemente alla legislazione che ne impone il corretto trattamento, recupero e riciclaggio.

Gli utenti privati dei 28 stati membri dell'UE, Svizzera e Norvegia possono portare gratuitamente i propri apparecchi elettronici usati presso le apposite strutture di raccolta o al rivenditore (quando si acquista un nuovo prodotto simile).

Gli utenti privati dei Paesi non compresi tra quelli summenzionati devono contattare le autorità locali per conoscere la corretta modalità di smaltimento.

In questo modo il prodotto sarà sottoposto al trattamento, recupero e riciclaggio necessari, prevenendo i potenziali effetti negativi sull'ambiente e la salute umana.

Introduzione

Grazie per aver acquistato il sistema wireless Concert 88 Camera di Samson. Il sistema Concert 88 Camera è la soluzione ideale per trasmissioni, riprese in esterni (ENG) e applicazioni videografiche. Di facile utilizzo, con 16 canali disponibili e una porta a infrarossi per il canale del trasmettitore, il sistema Concert 88 Camera è pronto all'uso appena estratto dalla confezione. Il ricevitore CR88V utilizza una batteria ricaricabile agli ioni di litio e può essere installato direttamente sull'attacco a slitta di una macchina da presa.

Queste pagine forniscono la descrizione dettagliata delle caratteristiche del sistema wireless Concert 88 Camera, istruzioni passo-passo per la sua configurazione e l'uso, e specifiche tecniche complete. Se il sistema wireless è stato acquistato negli Stati Uniti, è allegata una scheda di garanzia: compilarla seguendo le istruzioni per ricevere assistenza tecnica e informazioni aggiornate su questo e altri prodotti Samson in futuro. Inoltre, è possibile visitare il sito web www.samsontech.com per informazioni complete sulla nostra linea di prodotti.

Si raccomanda di conservare i seguenti dati come riferimento, oltre a una copia della ricevuta di acquisto.

Numero di serie di trasmettitore e ricevitore: _____

Data di acquisto: _____

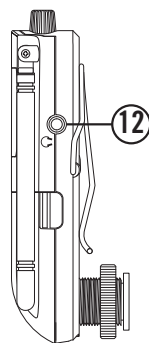
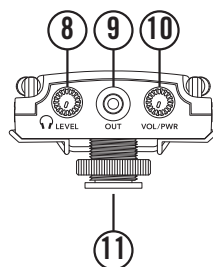
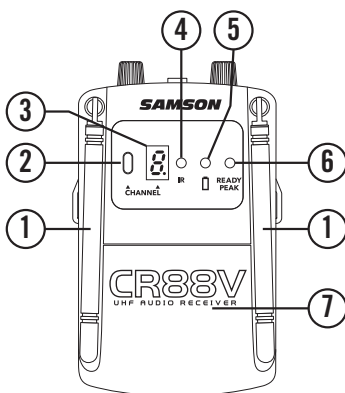
Seguendo le istruzioni per la cura e la manutenzione, il sistema wireless Concert 88 Camera funzionerà senza problemi per diversi anni. Per eventuali interventi di assistenza sul sistema wireless, è necessario ottenere un numero di autorizzazione al reso (RA) prima di inviare il prodotto a Samson. Senza tale numero il prodotto non sarà preso in carico. Contattare Samson al numero 1-800-3SAMSON (1-800-372-6766) per ottenere un numero RA prima di inviare il prodotto. Conservare i materiali di imballaggio originali e, se possibile, inviare il prodotto nel suo imballo originale. Se il sistema Concert 88 è stato acquistato fuori dagli Stati Uniti, contattare il distributore locale per dettagli sulla garanzia e informazioni sull'assistenza.

Caratteristiche del sistema

- Sistema wireless professionale ottimizzato per l'uso in applicazioni video e ENG.
- Compatibile con videocamere HD e fotocamere DSLR.
- Fino a otto sistemi simultanei per banda di frequenza (a seconda delle regioni).
- La tecnologia true diversity massimizza la portata attiva (fino a 91 m/300") e riduce le potenziali interferenze.
- 16 canali disponibili operanti nella banda UHF per la massima compatibilità del sistema nella medesima posizione senza interferenze.
- Il ricevitore può essere usato senza supporto o installato su una macchina da presa usando l'apposito adattatore per attacco a slitta.
- Il tone key e la funzione di silenziamento automatico assicurano prestazioni nitide e senza interruzioni, perché lasciano passare attraverso il ricevitore solo l'audio proveniente dal trasmettitore e silenziano l'uscita in presenza di eventuali interferenze.
- Fino a 12 ore di autonomia usando la batteria agli ioni di litio inclusa.
- Portata fino a 91 m/300" (linea di vista)

Ricevitore CR88V – Descrizione

- 1. Antenne** – I supporti delle antenne ne consentono la rotazione completa per un orientamento ottimale. In condizioni di funzionamento normali, entrambe le antenne devono essere posizionate verticalmente. Entrambe le antenne possono essere ripiegate verso l'interno per facilitare il trasporto del CR88V.
- 2. Pulsante CHANNEL** – *Premere* questo pulsante per scorrere i canali operativi del ricevitore. *Tenere premuto* questo pulsante per inviare le informazioni sul canale al trasmettitore tramite trasmissione a infrarossi.
- 3. Display LED** – Il display LED a 7 segmenti mostra il canale in uso sul ricevitore. I canali sono indicati con 0–9 e A–F.
- 4. Trasmettitore IR** – Durante la "configurazione IR" viene usata una luce a infrarossi per impostare il canale del trasmettitore.
- 5. Spia di carica della batteria** – La spia diventa verde quando la batteria è carica e diventa rossa quando la batteria è scarica.
- 6. Spia READY/PEAK** – La spia diventa verde quando il CR88V sta ricevendo il segnale RF e il sistema è pronto all'uso, e diventa rossa quando il segnale audio trasmesso è sovraccarico.
- 7. Coperchio batteria** – Premere entrambi i lati e tirarlo verso di sé per aprirlo. Inserire la batteria ricaricabile al litio fornita. Per ulteriori informazioni, consultare la sezione "Batteria ricaricabile" a pagina 9.
- 8. Manopola LEVEL cuffie** – Questa manopola imposta il livello del segnale audio inviato all'uscita cuffie.
- 9. Porta OUT** – Questa porta con bloccaggio per mini-jack da 3,5 mm (1/8") serve per collegare il CR88V alla propria videocamera o dispositivo audio.
- 10. Manopola VOL/PWR** – Questa manopola controlla il livello del segnale in uscita dal ricevitore e accende/spegne il CR88V. Ruotare la manopola in senso orario per accendere il sistema. Ruotare la manopola in senso antiorario fino al "clac" per spegnere il sistema.
- 11. Adattatore per attacco a slitta** – Usare questo adattatore per installare il CR88V su un attacco a slitta.
- 12. Uscita cuffie** – Collegare cuffie con mini-jack a questa porta standard da 3,5 mm (1/8") per monitorare il segnale in uscita dal CR88V. Si raccomanda l'uso di cuffie da 30 ohm. Il livello del segnale cuffie può essere regolato con la manopola LEVEL cuffie.



Trasmettitore Belt Pack CB88 – Descrizione

- 1. Porta di ingresso** – Collegare il dispositivo di ingresso tramite il connettore mini-XLR. Con il CB88 è fornito un microfono lavalier.
- 2. Spia di stato** – Questa spia indica la modalità di funzionamento:

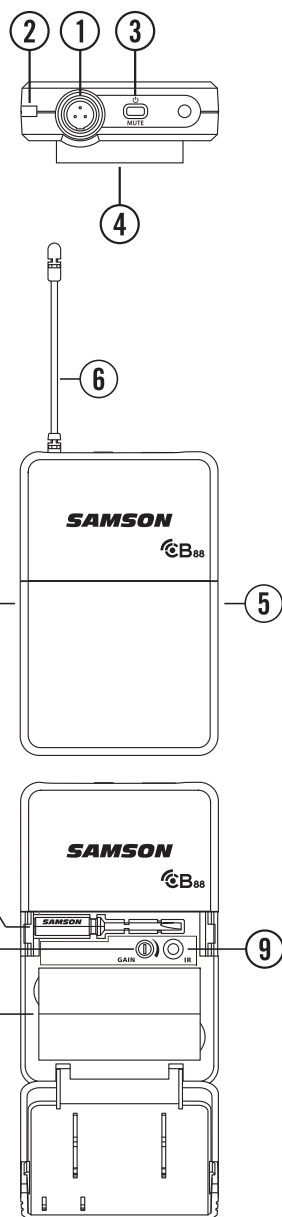
VERDE	Funzionamento normale
ROSSO	Audio disattivato
VERDE lampeggiante	Batteria scarica

- 3. Interruttore di accensione/Mute** – Tenere premuto per accendere o spegnere l'unità. Premere e rilasciare per disattivare o ripristinare l'audio del trasmettitore.
- 4. Clip per cintura** – Usare questa clip per fissare il trasmettitore CB88 a una cintura o una tracolla da chitarra.
- 5. Rilascio coperchio batteria** – Premere entrambi i lati e tirarlo verso di sé per aprire il coperchio batteria del CB88.

- 6. Antenna** – Questa antenna fissa deve essere completamente estesa durante il funzionamento normale.
- 7. Controllo GAIN in ingresso** – Questo controllo regola la sensibilità di ingresso del trasmettitore per interfacciarsi con l'ingresso di microfoni e strumenti. Per prestazioni ottimali, usare il cacciavite incluso per regolare il controllo sul livello in cui la spia Ready/Peak del CR88V inizia a illuminarsi sui livelli alti, quindi abbassarlo lentamente finché la luce dell'indicatore si spegne.

- 8. Vano batterie** – Inserire due batterie AA (LR6) standard, prestando attenzione ai simboli di polarità +/- indicati. Anche se è possibile usare batterie Ni-Cd ricaricabili, queste non forniscono una corrente adeguata per più di quattro ore. **AVVERTENZA:** Non inserire le batterie al contrario per evitare gravi danni al CB88 e l'annullamento della garanzia.

- 9. Lente IR** – Questa apertura serve a catturare il segnale a infrarossi inviato dal CR88V durante la configurazione IR per canalizzare il trasmettitore.
- 10. Cacciavite in plastica** – Per regolare il controllo GAIN in ingresso (#7) del CB88.



Trasmettitore Handheld CH88 – Descrizione

1. **Spia di stato** – Questa spia indica la modalità di funzionamento:

VERDE	Funzionamento normale
ROSSO	Audio disattivato
VERDE lampeggiante	Batteria scarica

2. **Interruttore di accensione/Mute** – Tenere premuto per accendere o spegnere l'unità. Premere e rilasciare per disattivare o ripristinare l'audio del trasmettitore.

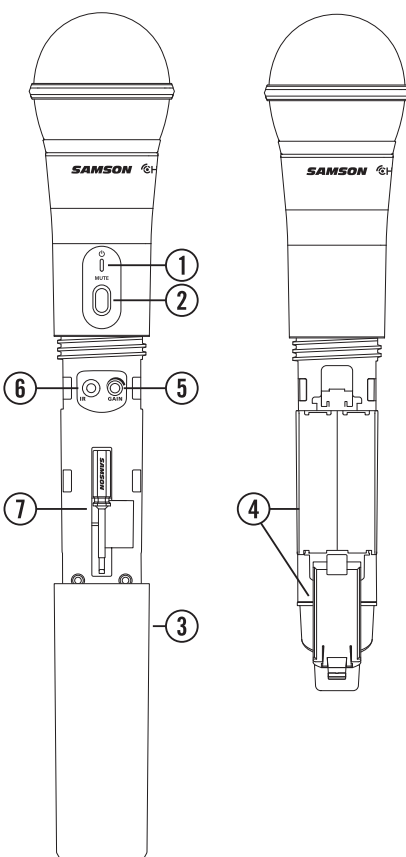
3. **Coperchio batterie** – Svitare il coperchio e farlo scorrere verso il basso per aprire il vano batterie del CH88.

4. **Vano batterie** – Aprire il vano batterie premendo la linguetta e sollevando il coperchio. Inserire due batterie AA (LR6) standard, prestando attenzione ai simboli di polarità +/- indicati. Anche se è possibile usare batterie Ni-Cd ricaricabili, queste non forniscono una corrente adeguata per più di quattro ore. **AVVERTENZA:** Non inserire le batterie al contrario per evitare gravi danni al CH88 e l'annullamento della garanzia.

5. **Controllo GAIN in ingresso** – Questo controllo regola la sensibilità di ingresso del trasmettitore. Per prestazioni ottimali, usare il cacciavite incluso per regolare il controllo sul livello in cui la spia Ready/Peak del CR88V inizia a illuminarsi sui livelli alti, quindi abbassarlo lentamente finché la luce dell'indicatore si spegne.

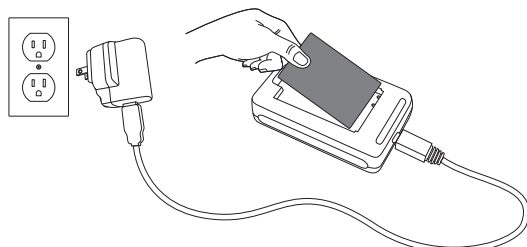
6. **Lente IR** – Questa apertura serve a catturare il segnale a infrarossi inviato dal CR88V durante la configurazione IR per canalizzare il trasmettitore. Per caricare il canale selezionato, il coperchio batterie deve essere aperto e la lente IR deve essere rivolta verso il ricevitore

7. **Cacciavite in plastica** – Per regolare il controllo GAIN in ingresso (#5) del CB88.



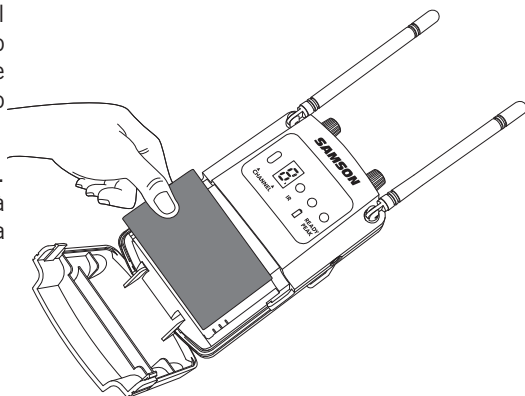
Batteria ricaricabile

1. Fare scorrere la batteria nel caricabatteria e assicurarsi che sia fissata saldamente.
2. Collegare il cavo USB incluso al caricabatteria e all'adattatore CA.
3. Collegare l'adattatore CA a una presa di corrente.



4. La batteria inizierà a ricaricarsi e la spia di stato lampeggerà.
5. Quando la batteria è completamente carica, la spia rimarrà accesa.

6. Per installare la batteria nel ricevitore CR88V, aprire il vano batteria premendo le linguette su entrambi i lati del coperchio batteria.



7. Inserire il gruppo batteria. Rispettare la corretta polarità durante l'inserimento della batteria.
8. Chiudere il vano batteria.

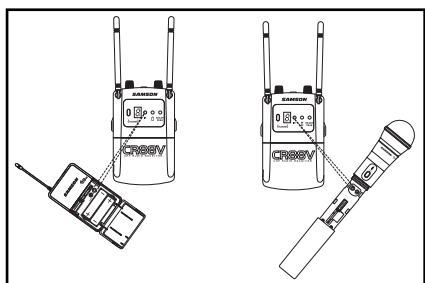
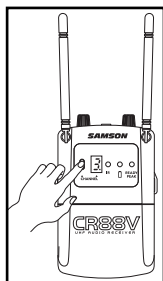
Come sfruttare al massimo la batteria ricaricabile

- Ricaricare completamente la batteria prima del primo utilizzo.
- Ricaricare completamente la batteria prima di ogni utilizzo.
- Quando la batteria è carica, scollegare il caricabatteria dalla presa di corrente o rimuovere la batteria dal caricabatteria.
- La temperatura ideale di utilizzo e conservazione della batteria è compresa tra 10°C e 30°C (da 50°F a 86°F). Le prestazioni e la durata della batteria possono diminuire a temperature inferiori a 10°C (50°F).
- Per prolungare la durata di vita della batteria, rimuoverla dal CR88V quando non è in uso.

Avvio rapido

Affinché il sistema wireless funzioni correttamente, il ricevitore e il trasmettitore devono essere impostati sullo stesso canale. Seguire la procedura di base descritta di seguito per configurare e usare il sistema wireless Concert Camera 88.

1. Installare il ricevitore CR88V dove sarà usato ed estendere le antenne verticalmente. Come regola generale, è necessario mantenere una "linea di vista" tra il ricevitore e il trasmettitore, in modo che la persona che usa o indossa il trasmettitore possa vedere il ricevitore.
2. Con il CR88V spento, inserire la batteria. Accendere momentaneamente il CR88V per assicurarsi che l'unità sia alimentata. Quindi spegnere il CR88V.
3. Con la macchina da presa spenta, collegare il jack di uscita del ricevitore CR88V all'ingresso audio della macchina da presa usando l'uscita da 3,5 mm (1/8") del ricevitore. Ruotare la manopola VOL/PWR del CR88V in senso antiorario per accenderlo.
4. Con il trasmettitore spento, installare due batterie AA nuove nel trasmettitore belt pack CB88 o nel trasmettitore handheld CH88. Lasciare aperto il vano batteria.
5. Accendere il trasmettitore tenendo premuto il pulsante di accensione; la spia diventerà verde.
6. Tenere premuto il pulsante CHANNEL del CR88V per eseguire una configurazione IR, ovvero per impostare il trasmettitore sullo stesso canale del ricevitore tramite trasmissione a infrarossi.
7. Posizionare il trasmettitore a circa 15–30 cm (6–12") dalla parte anteriore del CR88V con l'apertura IR del trasmettitore rivolta verso il trasmettitore IR situato sul pannello anteriore del ricevitore CR88V.
8. Quando la trasmissione è completa, il CR88V riceverà il segnale RF e il tone key dal trasmettitore. L'indicatore RF sul CR88V si accenderà, a indicare che sta ricevendo il segnale wireless dal trasmettitore.
9. Accendere la macchina da presa collegata, ma abbassare completamente il volume. Ruotare la manopola del volume sul CR88V completamente in senso orario. Questo è il guadagno unitario.
10. Parlare o cantare nel microfono, aumentando lentamente il volume della macchina da presa fino a raggiungere il livello desiderato.
11. Muoversi nell'area di esibizione per assicurarsi che la copertura sia costante ovunque. Se il sistema presenta cali significativi di qualità, una ridotta portata complessiva o rumori improvvisi, modificalo il canale operativo del sistema usando la procedura descritta in precedenza.



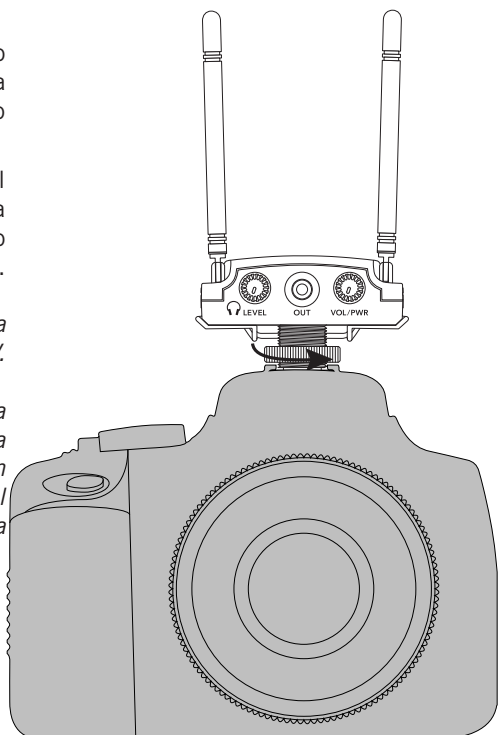
Installazione del CR88V su una macchina da presa

Seguire la procedura riportata di seguito per installare l'AR2 su una macchina da presa.

1. Fare scorrere il CR88V sull'attacco a slitta standard della macchina da presa e bloccare il ricevitore serrando la rotella zigrinata.
2. Collegare l'uscita audio del CR88V all'ingresso audio della macchina da presa usando il cavo XLR o 3,5 mm (1/8") fornito.

Nota: l'adattatore per attacco a slitta non alimenta il ricevitore CR88V.

Nota: se la propria macchina da presa non dispone di un attacco a slitta, potrebbe essere necessario un adattatore aggiuntivo. Consultare il manuale utente della propria macchina da presa.



ENGLISH

FRANÇAIS

DEUTSCHE

ESPAÑOL

ITALIANO

Piani canale

Gruppo K 470-494 MHz		Gruppo D 542-566 MHz		Gruppo F* 606-630 MHz		Gruppo G* 863-865 MHz		Gruppo L* 823-832 MHz	
Ca- nale	Frequenza	Ca- nale	Frequenza	Ca- nale	Frequenza	Ca- nale	Frequenza	Ca- nale	Frequenza
0	470.125	0	542.125	0	606.125	0	863.050	0	823.125
1	471.625	1	543.625	1	607.625	1	863.250	1	823.425
2	473.050	2	545.05	2	609.05	2	863.550	2	823.875
3	474.425	3	546.425	3	610.425	3	863.750	3	824.475
4	474.900	4	546.900	4	610.900	4	864.050	4	825.575
5	477.525	5	549.525	5	613.525	5	864.250	5	825.275
6	479.100	6	551.100	6	615.100	6	864.550	6	826.325
7	480.475	7	552.475	7	616.475	7	864.750	7	827.250
8	482.000	8	554.000	8	618.000	8	864.950	8	827.500
9	484.075	9	556.075	9	620.075			9	827.750
A	486.975	A	558.975	A	622.975			A	828.050
B	487.975	B	559.975	B	623.975			B	828.500
C	489.050	C	561.050	C	625.050			C	829.100
D	490.975	D	562.975	D	626.975			D	829.900
E	492.425	E	564.425	E	628.425			E	830.950
F	493.975	F	565.975	F	629.975			F	831.875

* Non utilizzabile negli USA e in Canada. Per domande relative ai canali disponibili nella propria area, contattare il distributore Samson locale.

Risoluzione dei problemi

Problema	Soluzioni
Audio assente	Assicurarsi che il trasmettitore e il ricevitore siano entrambi accesi.
	Assicurarsi che le batterie del trasmettitore siano installate correttamente.
	Assicurarsi che l'audio del trasmettitore non sia disattivato.
	Assicurarsi che la batteria del CR88V sia carica e installata correttamente.
	Assicurarsi che i cavi di uscita audio siano collegati saldamente al ricevitore CR88V.
	Assicurarsi che il ricevitore e il trasmettitore siano in linea di vista l'uno con l'altro.
	Verificare i controlli di livello del ricevitore e del dispositivo di ingresso audio.
Audio distorto	Assicurarsi che il trasmettitore e il ricevitore siano impostati sullo stesso canale. Se non si è sicuri, reimpostare il canale eseguendo una configurazione IR.
	Il livello di uscita audio del ricevitore o di ingresso audio del dispositivo è troppo alto.
	Assicurarsi che le batterie del trasmettitore non siano scariche; e sostituirle se necessario.
Breve interruzione della trasmissione audio (dropout)	Il guadagno in ingresso sul trasmettitore o il livello della sorgente audio è troppo alto.
	Il trasmettitore è troppo distante dal ricevitore. Avvicinarlo al ricevitore o riposizionare le antenne.
	Rimuovere eventuali sorgenti di interferenza RF, come telefoni cellulari, telefoni cordless, apparecchi di illuminazione, computer, strutture metalliche, ecc.
Il ricevitore non si accende	Spostare il ricevitore sul ripiano superiore del rack dell'apparecchiatura o posizionarlo sopra l'apparecchiatura per garantire l'assenza di ostruzioni nella linea di vista dal trasmettitore.
	Assicurarsi che l'adattatore sia correttamente collegato e inserito in una presa di corrente funzionante.
Il trasmettitore non si accende	Sostituire le batterie del trasmettitore.
Interferenze o rumori indesiderati	Se si usano sistemi multipli, assicurarsi che nessuno dei sistemi stia funzionando sul medesimo stesso canale. Se il problema persiste, cambiare uno o tutti i canali del sistema.
	Se si usano sistemi multipli, impostare tutti i ricevitori sullo stesso gruppo. Effettuare una ricerca canali all'interno del gruppo per selezionare i canali ottimali.

Specifiche tecniche

Sistema

Portata di funzionamento	100 m (300') linea di vista
Risposta in audiofrequenza	Da 50 Hz a 15 kHz
Distorsione armonica totale (complessiva)	<1% (@AF 1 kHz, RF 46 dBu)
Gamma dinamica	>100 dB ponderata A
Rapporto segnale/rumore	>90 dB
Temperatura di funzionamento	Da -10 °C (14 °F) a +60 °C (+140 °F)
Frequenza Tone Key	32.768 kHz

Trasmettitore Belt Pack CB88

Connettore di ingresso	Mini-XLR (P3)
Impedenza di ingresso	1 M Ω
Range di guadagno in ingresso	38 dB
Potenza in RF	10 mW EIRP
Requisiti di alimentazione	Due batterie alcaline AA (LR6)
Durata batteria	8 ore
Dimensioni (H x L x P)	96 mm x 62 mm x 18,5 mm 3.75" x 2.44" x 0.75"
Peso	93 g / 0.2 lb

Trasmettitore Handheld CH88

Elemento microfono	Dinamico
Range di guadagno in ingresso	28 dB
Potenza in RF	10 mW EIRP
Requisiti di alimentazione	Due batterie alcaline AA (LR6)
Durata batteria	8 ore
Dimensioni (Hx \emptyset)	260 mm x 54 mm 10.23" x 2.1"
Peso	218 g / 0.48 lb

Ricevitore CR88V

Connettore di uscita	3,5 mm (1/8") bloccante
Livello uscita audio	+9 dBu
Impedenza uscita audio	1 k Ω
Connettore cuffie	3,5 mm (1/8")
Impedenza uscita cuffie	1 k Ω
Sensibilità	-100 dBm / 20 dB sinad
Reiezione di immagine	>50 dB
Tensione di funzionamento	3,7 Vcc
Consumo di corrente	120 mA
Batteria	Ioni di litio 3,7 V / 1050 mAh
Dimensioni (L x l x H)	110 mm x 65 mm x 22 mm 4.33" x 2.55" x 0.86"
Peso	92g / 0.92 lb

Samson migliora continuamente i suoi prodotti, pertanto specifiche tecniche e immagini sono soggette a modifica senza preavviso.

Dichiarazione di conformità R&TTE

Ai sensi di EN ISO 17050:2005

L'azienda Samson Technologies Corporation, con sede in 45 Gilpin Ave, Hauppauge, NY 11788 USA, dichiara sotto la propria esclusiva responsabilità che i seguenti prodotti:

Nome del prodotto: Microfono wireless Concert 88 Camera

Marca: Samson

Tipo o modello: CR88V (Ricevitore), CH88 (Trasmettitore Handheld), CB88 (Trasmettitore Belt Pack)

sono conformi ai requisiti essenziali delle seguenti direttive CE se installati conformemente alle istruzioni di installazione riportate nella documentazione del prodotto:

2006/95/CE – Direttiva LVD

2004/108/CE – Direttiva EMC

1999/5/CE – Direttiva R&TTE

Il prodotto è conforme ai seguenti standard e/o documenti normativi:

EN60065:2014

Apparecchi elettronici audio, video e similari –
Prescrizioni di sicurezza

EN301 489-1 V1.9.2

Requisiti tecnici comuni.

EN301 489-9 V1.4.1

Condizioni specifiche per microfoni senza fili,
apparecchiature di collegamento audio a radiofrequenza
(RF), apparati audio senza fili e auricolari di
monitoraggio.

EN300 422-1 V1.5.1

Caratteristiche tecniche e metodi.

EN300 422-2 V1.4.1

Norma armonizzata EN che soddisfa i requisiti
essenziali dell'articolo 3, par. 2 della direttiva R&TTE

EN62479:2010

Norma armonizzata EN che soddisfa i requisiti
essenziali dell'articolo 3, par. 1a della direttiva R&TTE

Anno della marcatura CE (Direttiva Bassa Tensione): 2015

Marchio di identificazione: **0197** (*Numero Organismo Notificato*)

Questo prodotto riporta inoltre il simbolo "apparecchio di classe II".

Firmato per conto del costruttore:

Rappresentante autorizzato:

Carica:

Data:



Douglas Bryant

Vice Presidente Engineering

12/5/2015

CE 0197

Con la presente, Samson Technologies Corp. dichiara che i prodotti CR88V, CH88, CB88 sono conformi ai requisiti essenziali e altre disposizioni rilevanti della direttiva 1999/5/CE. La dichiarazione di conformità può essere consultata all'indirizzo

www.samsontech.com/samson/products/wireless-systems/concert-88/concert88camera-hh/#downloads-and-manuals-tab

Samson Technologies Corp.
45 Gilpin Avenue
Hauppauge, New York 11788-8816
Phone: 1-800-3-SAMSON (1-800-372-6766)
Fax: 631-784-2201
www.samsontech.com