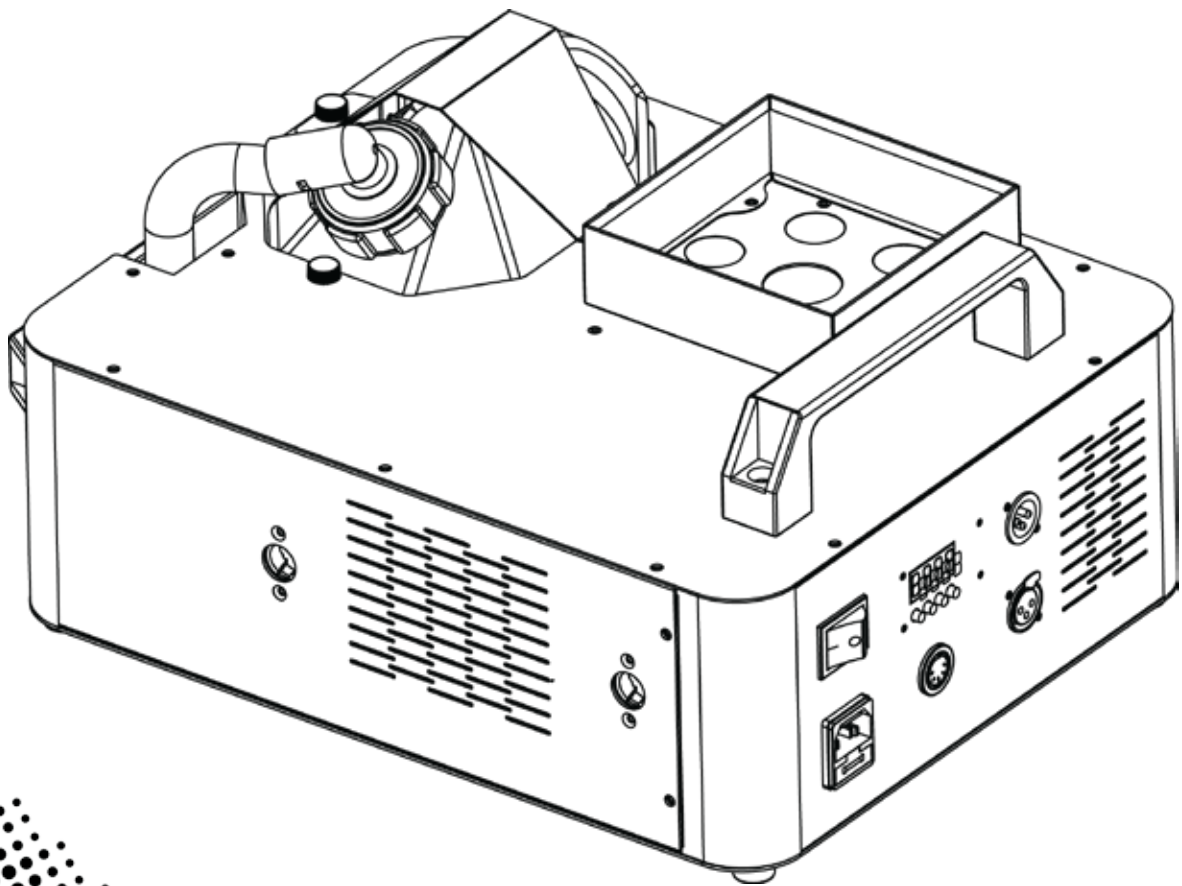


GEYSER P6



User Manual




CHAUVET

TABLE OF CONTENTS

1. Before You Begin	3
What is Included	3
Unpacking Instructions	3
Claims	3
Text Conventions	3
Symbols	3
Disclaimer	3
Product at a Glance	3
Safety Notes	4
2. Introduction	5
Overview	5
Dimensions	6
3. Setup	7
AC Power	7
Fuse Replacement	7
Mounting	8
Orientation	8
Rigging	8
Omega Bracket Placement Options	8
Tank Inversion Steps for Inverted Mounting	10
4. Operation	11
Control Panel Operation	11
Menu Map	11
DMX Personality and Starting Address	11
DMX Linking	11
Configuration (DMX)	11
Configuration (Standalone)	13
Programmable Color Selection (Wireless Remote Control)	13
Wireless Remote Control	13
5. Technical Information	14
Fogger Maintenance	14
Storage/ Maintenance	14
General Troubleshooting	15
6. Technical Specifications	16
Returns	17
Contact Us	18

1. BEFORE YOU BEGIN

What is Included

- Geysers P6
- Geysers Wireless Remote Control
- Geysers Wired Remote Receiver
- Omega Mounting Brackets x 2
- Power Cord
- Warranty Card
- Quick Reference Guide

Unpacking Instructions

Carefully unpack the product immediately and check the container to make sure all the parts are in the package and are in good condition.

Claims




If the box or the contents (the product and included accessories) appear damaged from shipping, or show signs of mishandling, notify the carrier immediately, not Chauvet. Failure to report damage to the carrier immediately may invalidate your claim. In addition, keep the box and contents for inspection.

For other issues, such as missing components or parts, damage not related to shipping, or concealed damage; file a claim with within 7 days of delivery.

Text Conventions

Convention	Meaning
1–512	A range of values
50/60	A set of values of which only one can be chosen
Settings	A menu option not to be modified
Menu > Settings	A sequence of menu options to be followed
<ENTER>	A key to be pressed on the product's control panel
ON	A value to be entered or selected

Symbols

Symbol	Meaning
	Critical installation, configuration, or operation information. Not following these instructions may make the product not work, cause damage to the product, or cause harm to the operator.
	Important installation or configuration information. The product may not function correctly if this information is not used.
	Useful information.

Disclaimer

Chauvet believes that the information contained in this manual is accurate in all respects. However, Chauvet assumes no responsibility and specifically disclaims any and all liability to any party for any loss, damage or disruption caused by any errors or omissions in this document, whether such errors or omissions result from negligence, accident or any other cause. Chauvet reserves the right to revise the content of this document without any obligation to notify any person or company of such revision, however, Chauvet has no obligation to make, and does not commit to make, any such revisions. Download the latest version from www.chauvetlighting.com.

The works of authorship contained in this manual, including, but not limited to, all design, text and images are owned by Chauvet.

© Copyright 2016 Chauvet & Sons, LLC. All rights reserved.

Electronically published by Chauvet in the United States of America.

CHAUVET, the Chauvet logo, Geysers P6 and Geysers are registered trademarks or trademarks of Chauvet & Son, LLC. (d/b/a Chauvet and Chauvet Lighting) in the United States and other countries. Other company and product names and logos referred to herein may be trademarks of their respective companies.

Product at a Glance

Use on Dimmer	X	Auto Programs	P
Outdoor Use	X	Fixed voltage (120 V or 230 V)	P
Sound-Activated	X	Replaceable Fuse	P
DMX	X	User-Serviceable	X
Master/Slave	X		

Safety Notes

These notes include important information about the mounting, usage, and maintenance of this product; read before using the product.



- Always connect the product to a grounded circuit to avoid the risk of electrocution.
- Always disconnect the product from the power source before cleaning or replacing the fuse.
- Avoid direct eye exposure to the light source while the product is on.
- Make sure the power cord is not crimped or damaged.
- Never disconnect the product from power by pulling or tugging on the cord.
- If mounting the product overhead, always secure to a fastening device using a safety cable.
- Make sure there are no flammable materials close to the product when operating.
- Do not touch the product's housing when operating because it may be very hot.
- Do not mount the product on a flammable surface (linoleum, carpet, wood, paper, carton, plastic, etc.).
- The product's nozzle is very hot during operation and it remains hot for a long time after operation has stopped.
- The fog exits the nozzle at a very high temperature. Keep a minimum distance of 6.5 ft (2 m) from the nozzle to the nearest object.
- Do not use the product as a space heater.
- Do not drink or become in contact with the fog fluid. If you do, call your local emergency service (911 in the US) for help.
- Do not add perfume, alcohol, gasoline, or any other flammables to the fog fluid.



- Always make sure that the voltage of the outlet to which you are connecting the product is within the range stated on the decal or panel of the product.
- The product is for indoor use only! (IP20) To prevent risk of fire or shock, do not expose the product to rain or moisture.
- Always install the product in a location with adequate ventilation, at least 20 in (50 cm) from adjacent surfaces.
- Be sure that no ventilation slots on the product's housing are blocked.
- Make sure there is adequate fog fluid in the machine to prevent pump and heater damage.
- Never connect the product to a dimmer.
- Make sure to replace the fuse with another of the same type and rating.
- Never carry the product by the power cord or any moving part. Always use the handles.
- The maximum ambient temperature (Ta) is 104 °F (40 °C). Do not operate the product at higher temperatures.
- In the event of a serious operating problem, stop using the product immediately.
- Never try to repair the product. Repairs carried out by unskilled people can lead to damage or malfunction. Contact the nearest authorized technical assistance center.
- This product is not intended for permanent installation.
- Use only CHAUVET water-based fog fluid.
- Drain the tank before transporting the product.
- To eliminate unnecessary wear and improve its lifespan, during periods of non-use completely disconnect the product from power via breaker or by unplugging it.



Keep this User Manual for future use. If you sell the product to another user, be sure to give this document to the next owner.



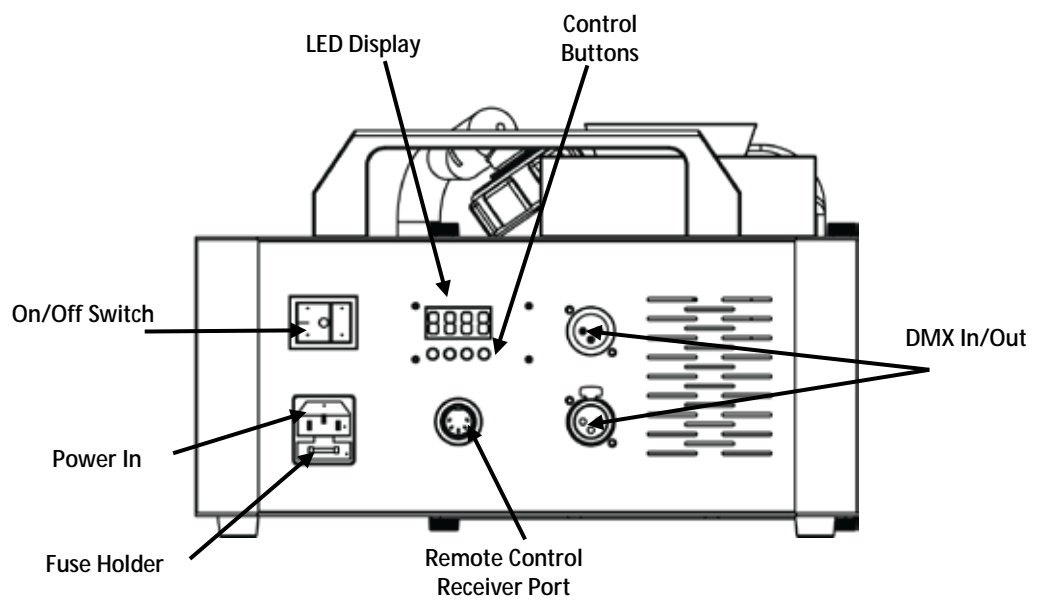
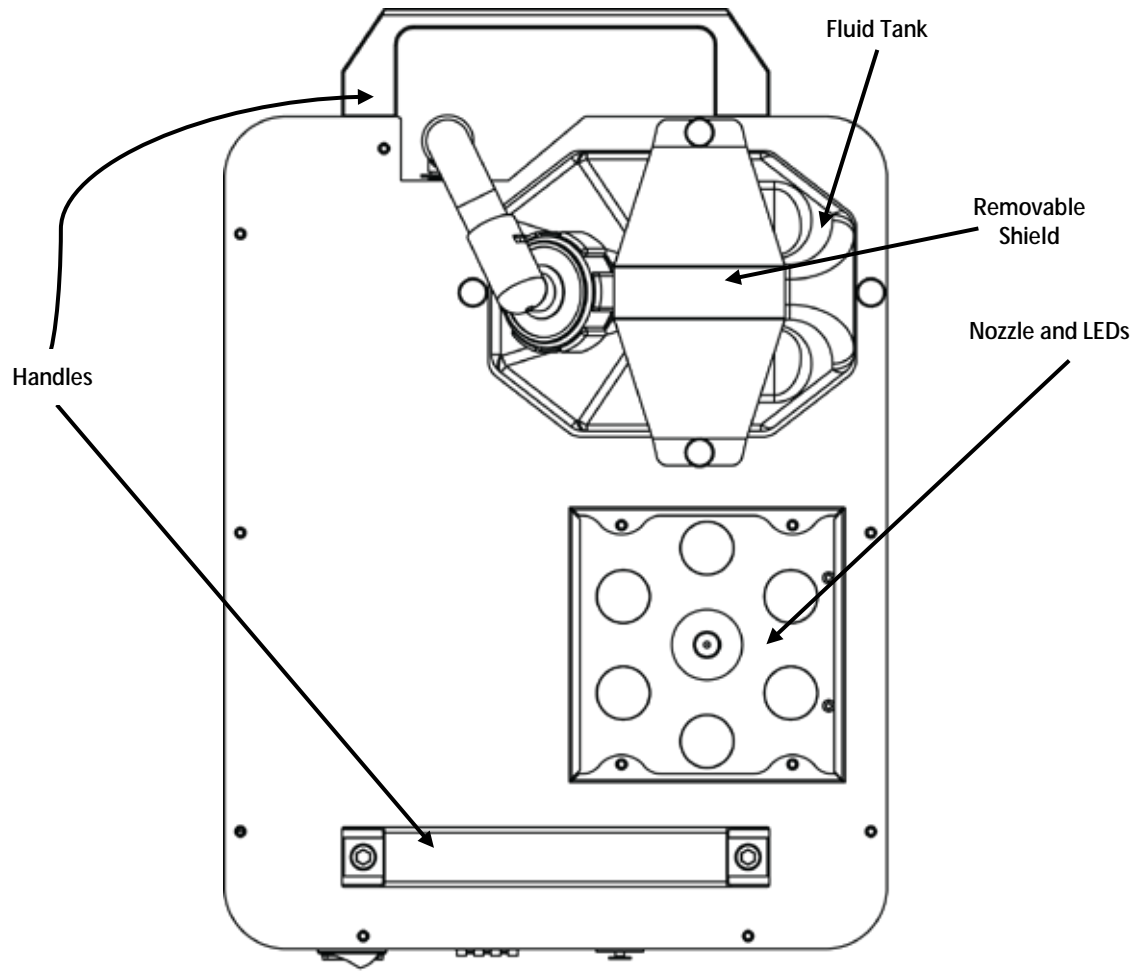
Fog Cleaner Quart (FCQ) was specifically developed by Chauvet to clean your Geyser P6. Make sure you use FCQ regularly, waiting no longer than 90 days between cleanings, to increase the life of your fogger.



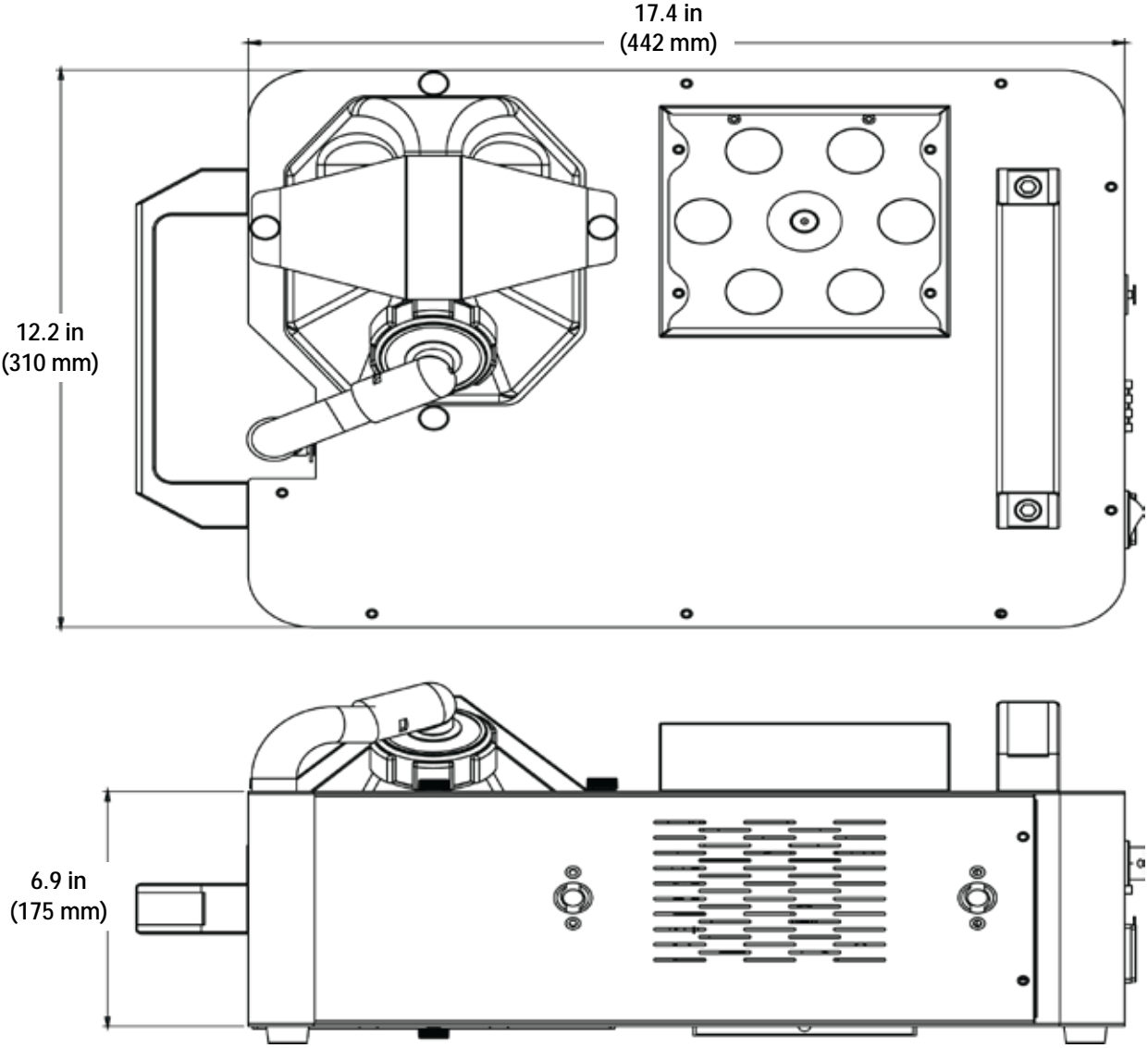
The Geyser P6 was specifically designed for use with CHAUVET Quick Dissipating Fluid (QDF). For optimum performance with your fogger, Chauvet recommends using QDF.

2. INTRODUCTION

Overview



Dimensions



3. SETUP

AC Power The Geyser P6 has a fixed voltage power supply and it can work with an input voltage of either 120 VAC, 60 Hz or 230 VAC, 50 Hz, depending on the specific model.

To determine the product's power requirements (circuit breaker, power outlet, and wiring), use the current value listed on the label affixed to the product's panel, or refer to the product's specifications chart. The listed current rating indicates the product's average current draw under normal conditions.



Always connect the product to a protected circuit (circuit breaker or fuse). Make sure the product has an appropriate electrical ground to avoid the risk of electrocution or fire.



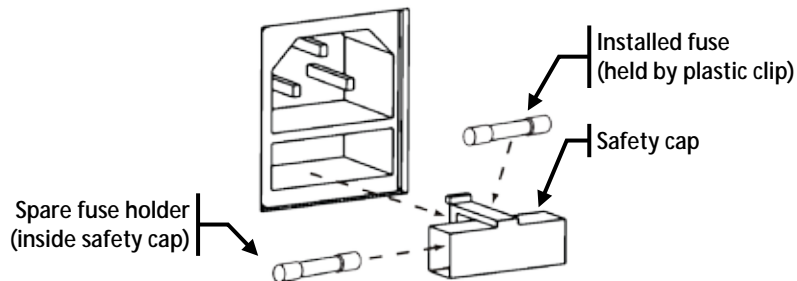
Never connect the product to a rheostat (variable resistor) or dimmer circuit, even if the rheostat or dimmer channel serves only as a 0–100% switch.

Fuse Replacement



Disconnect the product from power before replacing the fuse.

1. Disconnect the product from power.
2. Wedge the tip of a flat-head screwdriver into the slot of the fuse holder.
3. Pry the fuse holder out of the housing.
4. Remove the blown fuse from the holder.
5. Replace with a fuse of the exact same type and rating.
6. Insert the fuse holder back in place and reconnect power.



A spare fuse is not included; however, the safety cap has room for a spare.



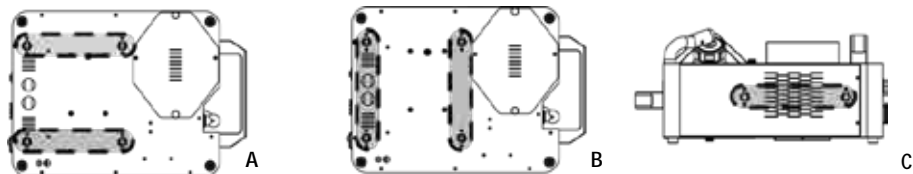
Always replace a blown fuse with another of the same type and rating.

Mounting Before mounting the product, read and follow the safety recommendations indicated in the [Safety Notes](#).

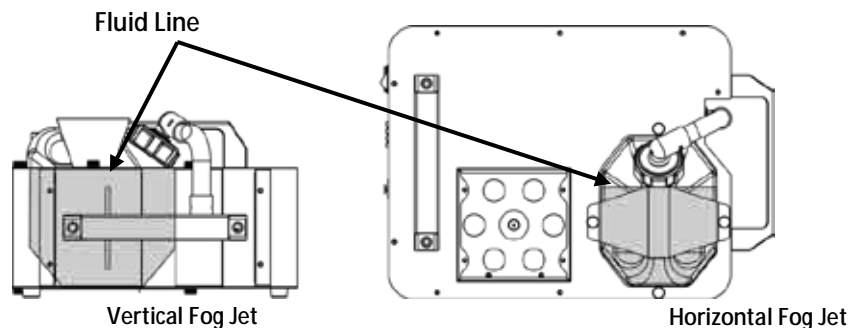
Orientation Primarily, the Geyser P6 is to be floor mounted in a vertical fog jet orientation. Alternatively, it may also be mounted in a floor mounting/horizontal fog jet orientation or in an overhead mounting/downward fog jet orientation; however, be sure to follow instructions closely to avoid tank spills with alternate mountings.

- Rigging**
- Before deciding on a location, always make sure there is easy access to the product for maintenance and fluid replenishment.
 - Make sure that the structure or surface onto which you are mounting the product can support the product's weight (see the [Technical Specifications](#)).
 - When mounting the product overhead, always use a safety cable. Mount the product securely to a rigging point, such as an elevated platform or a truss.
 - When rigging the product onto a truss, use the omega brackets provided and mounting clamps of appropriate weight capacity (sold separately). The mounting holes (size M12) on the bottom of the product are appropriate for this purpose.
 - The rubber feet also serve as floor supports. When mounting the product on the floor, make sure that the product and cables are away from people and vehicles.

Omega Bracket Placement Options



Fluid Tank Orientation

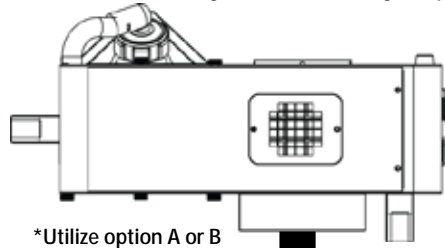


To avoid spillage with any mounting, always position the fluid tank with the tank's cap in the uppermost position above the tank's fluid line.

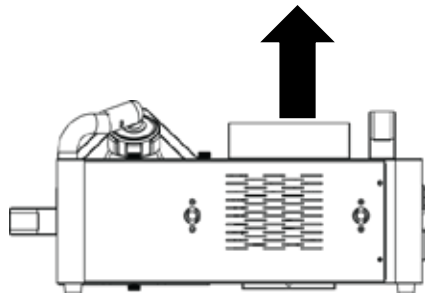
When mounting the Geyser P6 in any inverted position, remove the fluid tank from the holder and set it upright on an adjacent surface.

Mounting Diagram

Overhead Mounting – Downward Fog Output

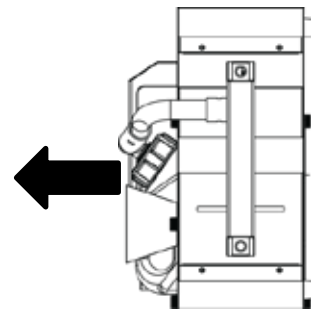


Using the [Omega Bracket Placement Options](#) section as a reference, choose the best mounting method to achieve the fog output you desire.



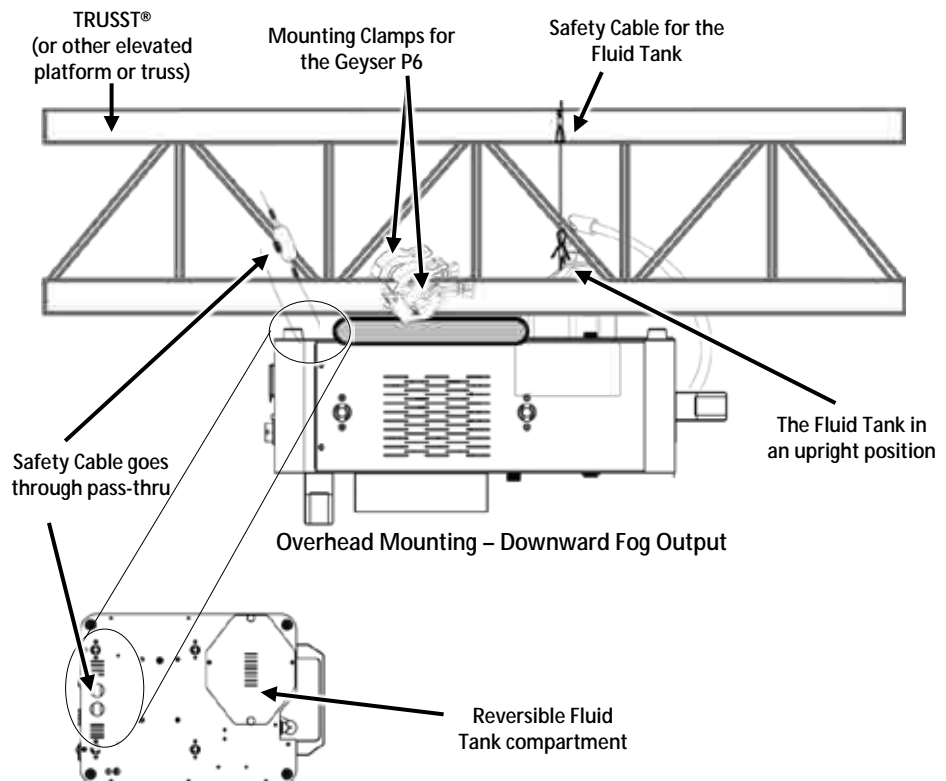
Floor Mounting – Vertical Fog Output

Vertical Mounting – Horizontal Fog Output



*Utilize option C

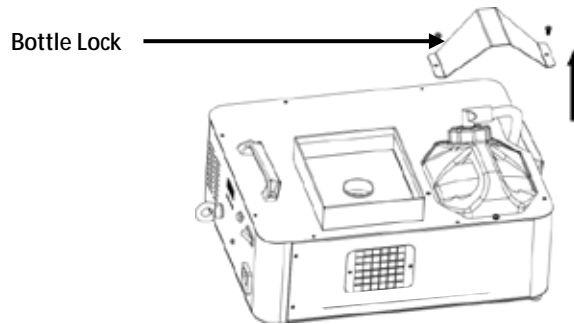
Mounting to Truss



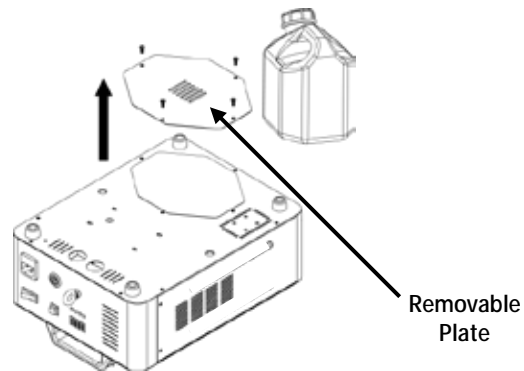
With inverted mounting, avoid spillage of the fog fluid by setting the fluid tank in an upright position. Be sure to use a safety cable for both the Geyser P6 and the fluid tank when rigging in this manner. Follow the instructions provided to reverse fluid tank compartment.

Tank Inversion Steps for Inverted Mounting

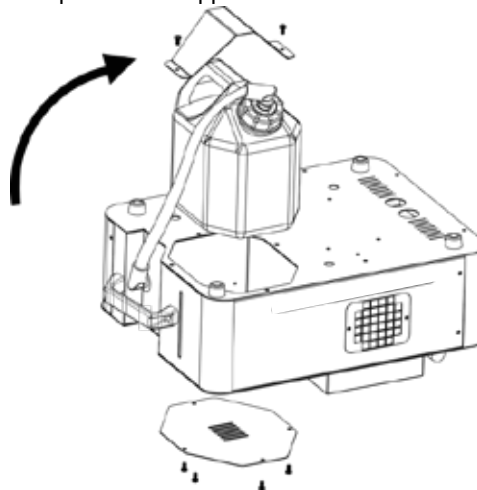
1. Empty the fluid from the product.
2. Remove the screws and the bottle lock to take out the tank.



3. Turn the fog machine upside down, remove the screws and set aside to take off the removable plate.



4. Attach the removable plate to the opposite side and secure the tank with the bottle lock.



5. Secure both the bottom plate and tank cover with the screws.

***Actual product may vary slightly from drawing**

4. OPERATION

Control Panel Operation

To access the control panel functions, use the four buttons located underneath the display.

Button	Function
<MENU>	Selects an operation mode or backs out of the current menu option
<UP>	Scrolls up the list of options or selects a higher value
<DOWN>	Scrolls down the list of options or selects a lower value
<ENTER>	Activates a menu option or a selected value

Menu Map

Mode	Programming Steps		Description
DMX	Addr	d__1-d 503	Selects DMX starting Address
Wireless Color Program	CH-1 – CH-4	P1-1–P1-32	Selects preset color program for wireless remote operation
Temperature Gauge	Ht	T ____	Shows current temperature of product



The Geyser P6 Wireless Remote Control buttons 1–4 trigger the options set in the color programs CH-1–CH-4, respectively.

DMX Personality and Starting Address

When selecting a starting DMX address, always consider the number of DMX channels the selected DMX mode uses. If you choose a starting address that is too high, you could restrict the access to some of the product's channels.

The Geyser P6 uses up to 10 DMX channels in a 10CH DMX mode, which defines the highest configurable address as **503**.

If you are not familiar with the DMX protocol, download the DMX Primer from www.chauvetlighting.com.

To select the starting address, do the following:

1. Press <MENU> repeatedly until **Addr** shows on the display.
2. Press <ENTER> and **d 1–503** will show on the display.
3. Use <UP> or <DOWN> to select the starting address.
4. Press <ENTER>.

DMX Linking

The Geyser P6 works with a DMX controller. Information about DMX is in the CHAUVET DMX Primer, which is available from the Chauvet website http://www.chauvetlighting.com/downloads/DMX_Primer_rev05_WO.pdf.

Configuration (DMX)

Set the product in DMX mode (**Addr**) to control with a DMX controller.

1. Connect the product to a suitable power outlet.
2. Connect a DMX cable from the DMX output of the DMX controller to the DMX input socket on the product.

DMX Channel Assignments and Values

10CH	Channel	Function	Value	Percent/Setting
1	Fog		000 ó 002	No function
			003 ó 255	Fog output On
2	Red		000 ó 002	No function
			003 ó 255	0–100%
3	Green		000 ó 002	No function
			003 ó 255	0–100%
4	Blue		000 ó 002	No function
			003 ó 255	0–100%
5	Amber		000 ó 002	No function
			003 ó 255	0–100%
6	UV		000 ó 002	No function
			003 ó 255	0–100%
7	Color Macros		000 ó 009	No function
			010 ó 017	Color Macro 1
			018 ó 025	Color Macro 2
			026 ó 033	Color Macro 3
			034 ó 041	Color Macro 4
			042 ó 049	Color Macro 5
			050 ó 057	Color Macro 6
			058 ó 065	Color Macro 7
			066 ó 073	Color Macro 8
			074 ó 081	Color Macro 9
			082 ó 089	Color Macro 10
			090 ó 097	Color Macro 11
			098 ó 105	Color Macro 12
			106 ó 113	Color Macro 13
			114 ó 121	Color Macro 14
			122 ó 129	Color Macro 15
			130 ó 137	Color Macro 16
			138 ó 145	Color Macro 17
			146 ó 153	Color Macro 18
			154 ó 161	Color Macro 19
			162 ó 169	Color Macro 20
			170 ó 177	Color Macro 21
			178 ó 185	Color Macro 22
			186 ó 193	Color Macro 23
			194 ó 201	Color Macro 24
			202 ó 209	Color Macro 25
			210 ó 217	No Function
			218 ó 225	Color Macro 26
			226 ó 233	Color Macro 27
			234 ó 241	Color Macro 28
242 ó 249	Color Macro 29			
250 ó 255	Color Macro 30			
8	Color Macro Speed		000 ó 009	No function
			010 ó 255	Speed, slow to fast
9	Strobe		000 ó 009	No function
			010 ó 255	Strobe, slow to fast
10	Dimmer		000 ó 002	No function
			003 ó 255	0–100%

Configuration (Standalone)

To control the product without a DMX controller;

1. Connect the product to a suitable power outlet.
2. Turn the product on.
3. Set it to be triggered for either up-close or with the wireless remote.

Programmable Color Selection (Wireless Remote Control)

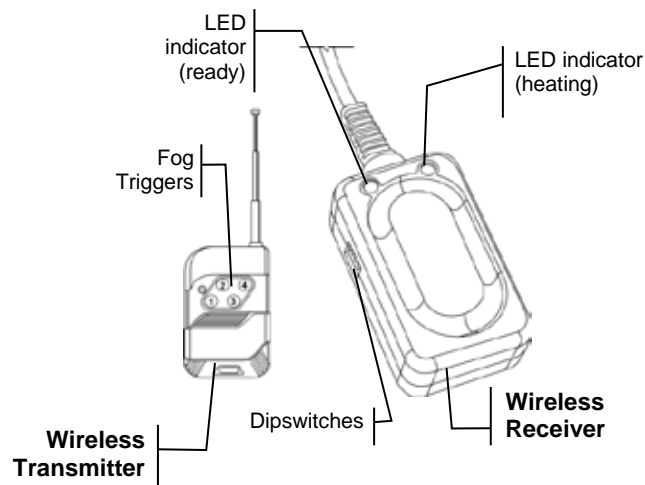
To select the preset color program using the wireless remote control, follow the instructions below:

1. Press **<MENU>** repeatedly until **CH-1–CH-4** shows on the display. Select **CH-1**, **CH-2**, **CH-3**, or **CH-4** to choose that color program.

Note: The color program numbers correspond with the numbered buttons on the wireless transmitter.

2. Press **<ENTER>**.
3. Use **<UP>** or **<DOWN>** to select **P1 1–P1 32** (to choose one of 32 preset color programs).
4. Press **<ENTER>**.
5. Repeat steps 1–4 to configure the other buttons.

Wireless Remote Control



To trigger fog output and activate the color program using the wireless remote control, do the following:

1. Plug the wireless receiver into the Remote Control Receiver port on the side of the Geyser P6
2. On the wireless transmitter, press the button assigned to the color program (**1–4**). The Geyser P6 emits fog and activates the color program for as long as you hold down the button.

5. TECHNICAL INFORMATION

Fogger Maintenance

Do not allow the fogger to become clogged. After every 40 hours of continuous operation, run CHAUVET Fog Cleaner Quart (FCQ) through the system to prevent the accumulation of particulate matter in the heating element.

The recommended cleaning procedure is as follows.

1. Unplug the product from power.
2. Empty all fog fluid from the machine.
3. Add cleaning solution to the tank.
4. Plug in the product and allow it to warm up.
5. Run the machine in a well-ventilated area until the tank is almost empty. **Do not allow the pump to run dry!**
6. Refill with fog fluid. Run the machine briefly to clear any cleaning solution from the pump and heater.



Fog Cleaner Quart (FCQ) was specifically developed by Chauvet to clean your Geyser P6 Use FCQ regularly, waiting no longer than 90 days between cleanings, to increase the life of your fogger.

Storage/ Maintenance

Before storing the fogger, run FCQ through the system as described in the cleaning procedure above; however, only follow steps 1 through 5. **Do not refill the tank with fog fluid if storing the fogger.** Cleaning the system prior to storage will help prevent any particles from condensing inside the pump or heater while not in use.



Test-run your Geyser P6 on a monthly basis to achieve the best performance.

General Troubleshooting

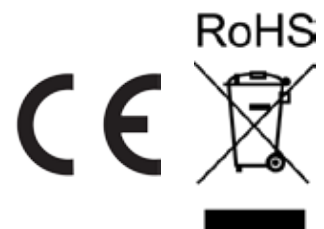
Symptom	Display	Possible Cause	Possible Action
No output or low output or fog machine is spitting fluid	"Addr" or "HEAT"	Wrong fluid	Clean thoroughly with CHAUVET® FCQ. For full instructions, see Fogger Maintenance . Refill with CHAUVET® water-based fog fluid.
		Blocked pipes or failing part	Contact Customer Service
Circuit breaker or fuse keeps blowing	Off	Excessive load on the circuit	Make sure that the total load does not exceed 80% of the breaker or fuse nominal current
		Short circuit along the power lines	Check the power lines and power cords
Product does not power up	Off	No energy on power outlet	Check power outlet Change to another outlet
		Loose or damaged power cord	Check the power cord
		Blown fuse	Replace blown fuse with a good one of the same type and rating
		Internal problem	Send product for repair
Product does not output fog	"Addr" or "HEAT"	No fluid	Turn the product off and replenish the fog fluid (use only CHAUVET® water-based fog fluid)
		Heater or pump clogged	Clean thoroughly with CHAUVET® FCQ. For full instructions, see Fogger Maintenance . Refill with CHAUVET® water-based fog fluid.
		Wired remote disconnected or defective	Make sure that the remote is connected Try the remote on another Geyser P6 if available
		Inappropriate wired remote operation	See Wireless Remote Control for instructions
		Wireless remote receiver not connected	Make sure that the wireless remote receiver is connected
		Wireless remote transmitter ran out of battery	Replace battery on wireless remote transmitter
		Internal problem	Send the product for repair



If you still experience problems after trying the above solutions, contact Chauvet Technical Support.

6. TECHNICAL SPECIFICATIONS

Dimensions and Weight	Length	Width	Height	Weight
	17.4 in (442 mm)	12.2 in (310 mm)	6.9 in (175 mm)	19.2 lb (8.8 kg)
Note: Dimensions in inches rounded to the nearest decimal digit.				
Power	Power Supply Type	Range		Voltage Selection
	Model-specific	120 VAC, 60 Hz or 230 VAC, 50 Hz		Fixed
	Parameter	120 V, 60 Hz		230 V, 50 Hz
	Consumption	1610 W		1610 W
	Operating current	13.1 A		6.5 A
	Fuse	F 15 A, 250 V		F 10 A, 250 V
Light Source	Power I/O	US/Worldwide		UK/Europe
	Power input connector	IEC		IEC
	Power output connector	Edison		IEC
	Power Cord plug	Edison (US)		Local plug
Light Source	Type	Power		Lifespan
	LED	7 W		50,000 hours
	Parameter			
	Illuminance	780 lux @ 2 m		
Light Source	Color	Quantity		Current
	RGBA+UV	6		2.5 A
Operation/Capacity/Consumption	Heat-up Time	Tank Capacity	Fluid Consumption	
	4 min	2.5 l (0.6 gal)	100 ml/min	
Misc.	Output			
	17,000 cfm			
Thermal	Maximum External Temp.		Cooling System	
	104 °F (40 °C)		Convection	
Ordering	Product Name	Item Code	UPC Number	
	Geyser P6 (120 V)	09071178	781462215262	
	Geyser P6 (230 V)	09071181	781462215293	



To return a product or request support:

- In the U.S., contact Chauvet World Headquarters (see [Contact Us](#)).
- In the UK or Ireland, contact Chauvet Europe Ltd. (see [Contact Us](#)).
- In Mexico, contact Chauvet Mexico (see [Contact Us](#)).
- In Benelux, contact Chauvet Europe BVBA (see [Contact Us](#)).
- In any other country, DO NOT contact Chauvet. Contact your distributor. See www.chauvetlighting.com for distributors outside the U.S., United Kingdom, Ireland, Mexico, or Benelux.



If you live outside the U.S., United Kingdom, Ireland, Mexico, or Benelux, contact your distributor of record and follow their instructions on how to return Chauvet products to them. Visit our website for contact details.

Returns

Call the corresponding Chauvet Technical Support office and request a Return Merchandise Authorization (RMA) number before shipping the product. Be prepared to provide the model number, serial number, and a brief description of the cause for the return.

You must send the merchandise prepaid, in its original box, and with its original packing and accessories. Chauvet will not issue call tags.

Clearly label the package with the RMA number. Chauvet will refuse any product returned without an RMA number.



Write the RMA number on a properly affixed label. DO NOT write the RMA number directly on the box.

Before sending the product, clearly write the following information on a piece of paper and place it inside the box:

- Your name
- Your address
- Your phone number
- RMA number
- A brief description of the problem

Be sure to pack the product properly. Any shipping damage resulting from inadequate packaging will be your responsibility. FedEx packing or double-boxing are recommended.



Chauvet reserves the right to use its own discretion to repair or replace returned product(s).

CONTACT Us

USA WORLD HEADQUARTERS

General Information – Chauvet

Address: 5200 NW 108th Avenue
Sunrise, FL 33351

Voice: (954) 577-4455
Fax: (954) 929-5560
Toll free: (800) 762-1084

Technical Support

Voice: (954) 577-4455 (Press 4)
Fax: (954) 756-8015
Email: tech@chauvetlighting.com

World Wide Web

www.chauvetlighting.com

EUROPE

General Information - Chauvet Europe BVBA

Address: Stokstraat 18
9770 Kruishoutem
Belgium

Voice: +32 9 388 93 97

Technical Support

Email: Eutech@chauvetlighting.eu

World Wide Web

www.chauvetlighting.eu

General Information - Chauvet Europe Ltd.

Address: Unit 1C
Brookhill Road Industrial Estate
Pinxton, Nottingham, UK
NG16 6NT

Voice: +44 (0)1773 511115
Fax: +44 (0)1773 511110

Technical Support

Email: uktech@chauvetlighting.com

World Wide Web

www.chauvetlighting.co.uk

MEXICO

General Information - Chauvet Mexico

Address: Av. Santa Ana 30
Parque Industrial Lerma
Lerma, Mexico C.P. 52000

Voice: +52 (728) 285-5000

Technical Support

Email: servicio@chauvet.com.mx

World Wide Web

www.chauvet.com.mx

Outside the U.S., United Kingdom, Ireland, Mexico, or Benelux contact the dealer of record. Follow their instructions to request support or to return a product. Visit our website for contact details.